

EX RT 5 3:1
EX RT 7 3:1
EX RT 11 3:1

**Installation and user
manual**

English

Français

Deutsch

Italiano

Español

Nederlands



EATON

Powering Business Worldwide

EX RT 5 3:1
EX RT 7 3:1
EX RT 11 3:1

**Installation and user
manual**



EATON

Powering Business Worldwide

Introduction

Thank you for selecting an EATON product to protect your equipment.

The **EX RT** range has been designed with the utmost care.
We recommend that you take the time to read this manual to take full advantage of the many features of your **UPS**.

Warning: this is a class A UPS product. In a domestic environment, this product may cause radio interference, in which case, the user may be required to take additional measures.
If the device must be installed in overvoltage category III or IV environments, additional upstream overvoltage protection must be provided for.

To discover the entire range of EATON products and the options available for the **EX RT** range, we invite you to visit our web site at www.eaton.com or contact your EATON representative.

Environmental protection

EATON cares about the environmental impact of its products and has therefore implemented an eco-design process for the entire life cycle of the **EX RT** product: design, usage and recycling.

Using this document

Information may be found primarily by checking:

- the contents,
- the index.

Icons



Important instructions that must always be followed.



Information, tips, help.



Visual indication.



Action.



Audible alarm.

In the illustrations on the following pages, the symbols below are used:



LED off.



LED on.



LED flashing.

1.	Presentation	
1.1	Standard configurations	5
	Tower configuration	5
	Rack configuration	5
1.2	Rear panels	6
	Power module EX RT 5/7/11	6
	Battery module EX RT EXB 7/11	6
1.3	Display and control panel	7
1.4	Options	7
	Rack mounting kits	7
	Transformer for galvanic isolation or earthing arrangement change	8
	Battery extensions for UPS backup times up to 60 minutes	9
	CLA module (Long backup time charger) for backup times from 2 to 8 hours	9
	Modules integration system	10
	Battery module with Remote Emergency Power Off function (REPO)	10
	Battery extension cable (1,8 m / 6 ft)	10
2.	Installation	
2.1	Unpacking and parts check	11
	Power module	11
	Battery module	11
2.2	Installation in tower configuration	12
2.3	Installation in rack configuration	13
	Adjustment of the orientation of the logo and control panels	13
	Battery module rack mounting (optional rail required)	13
	Power or battery module rack mounting (optional rail required)	14
2.4	Communication ports	16
	Connection to the RS232 communication port	16
	Connection to the communications port by relays	16
	Remote Power Off	17
	Remote Power Off communication port	17
	Installation of communication cards (optional, standard with the Network Pack version)	17
2.5	Installation depending on the system earthing arrangement (SEA)	18
	UPS with common Normal and Bypass AC inputs	18
	UPS with separate Normal and Bypass AC inputs	18
	UPS with separate Normal and Bypass AC inputs, supplied by separate sources	19
	Frequency converter (without Bypass AC input)	19
	Hot standby	19
2.6	Required protective devices and cable cross-sections	20
	Recommended upstream protection	20
	Recommended downstream protection	20
	Required cable cross-section	20
2.7	Connections of input/output power cables	21
	UPS with common Normal and Bypass AC sources	21
	UPS with separate Normal and Bypass AC sources	22
	Frequency converter	23
	Connection of battery cables	24
	Connection of galvanic isolation transformer	24
	Connection of CLA module	25

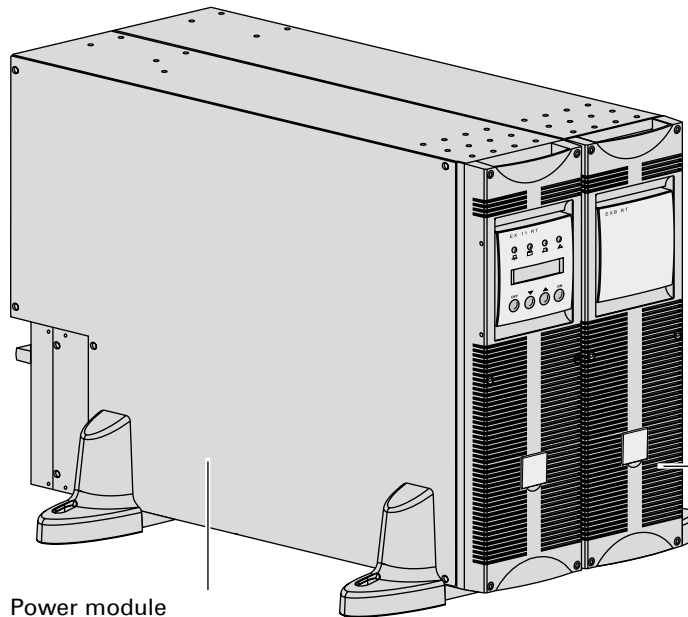
Contents

3.	Operation	
3.1	Initial start up	26
	UPS personalisation	26
	Accessing personalisation with front panel buttons	26
	Access to the personalisation through external software	27
3.2	Final start up sequence	27
3.3	Operating modes	28
	Normal (double conversion) mode	28
	Eco mode	28
3.4	Operation on battery power	29
	Transfer to battery power	29
	Threshold for the low-battery warning	29
	End of backup time	29
3.5	Return of Normal AC source	29
3.6	Shut down	30
4.	Maintenance	
4.1	Troubleshooting	31
4.2	Hot-swapping the power module	32
	Disconnecting the power module	32
	Reconnecting the power module	33
4.3	Hot-swapping the battery module	33
	Disconnecting the battery module	33
	Reconnecting the battery module	33
4.4	Training center	34
5.	Appendices	
5.1	Technical specifications	35
	Electrical characteristics	35
	Thermal characteristics	38
5.2	Glossary	38

1. Presentation

1.1 Standard configurations

Tower configuration



	Dimensions in mm/ inches (H x W x D)
EX RT 5 EX RT 7 EX RT 11 EX RT EXB 7 EX RT EXB 11	444 x 131 x 635

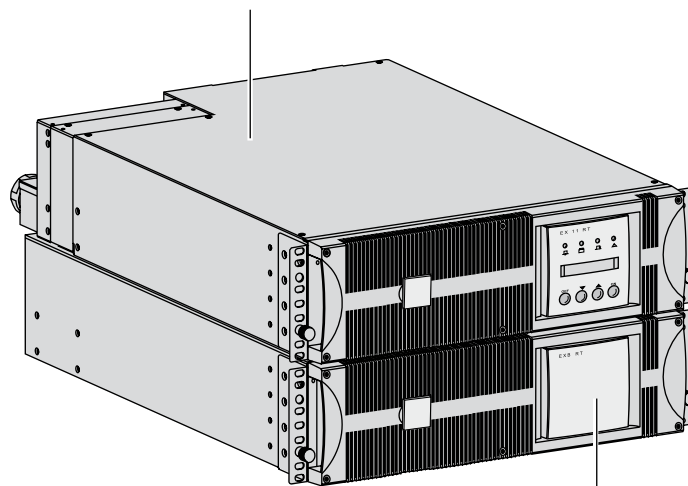
	Weight in kg/lbs
EX RT 5 EX RT 7	22.5
EX RT 11	27.5
EX RT EXB 7	64.5
EX RT EXB 11	68.5

Battery module
(EX RT EXB 7/11)

Power module
(EX RT 5/7/11)

Rack configuration

Power module (EX RT 5/7/11)



	Dimensions in mm/ inches (H x W x D)
EX RT 5 EX RT 7 EX RT 11 EX RT EXB 7 EX RT EXB 11	131 (3U) x 444 x 635

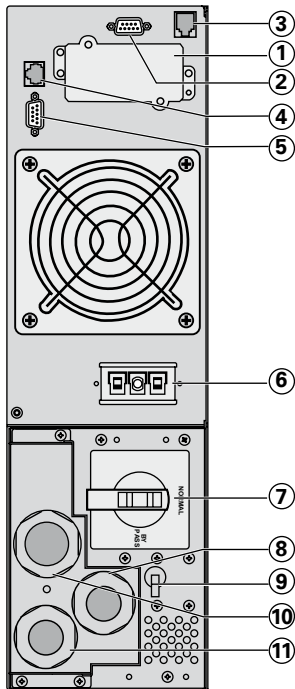
	Weight in kg/lbs
EX RT 5 EX RT 7	22.5
EX RT 11	27.5
EX RT EXB 7	64.5
EX RT EXB 11	68.5

Battery module
(EX RT EXB 7/11)

1. Presentation

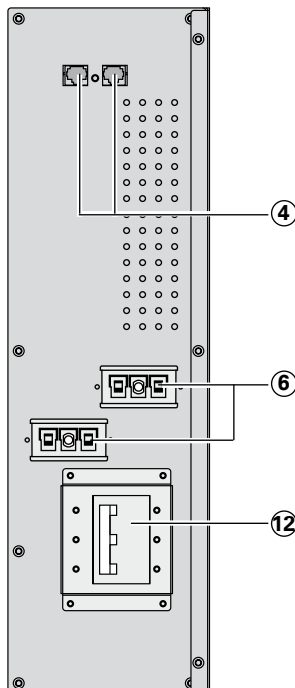
1.2 Rear panels

Power module EX RT 5/7/11



- ① Slot for communication cards.
- ② Communication port by relays.
- ③ Remote Emergency Power Off communication port (REPO).
- ④ Connectors for automatic detection of battery module(s).
- ⑤ RS232 communications port.
- ⑥ Battery module connectors (to the UPS or to other battery modules).
- ⑦ Manual Bypass switch.
- ⑧ Output terminal block.
- ⑨ Normal AC source circuit-breaker.
- ⑩ Normal AC source terminal block.
- ⑪ Bypass AC source terminal block.

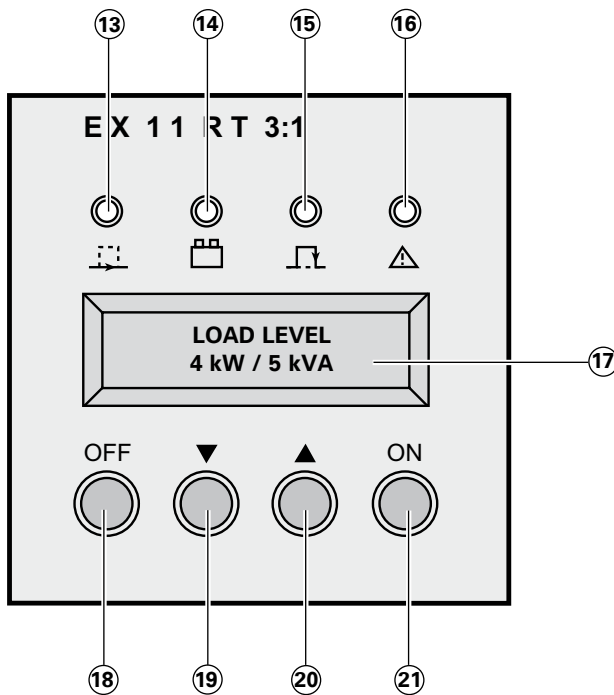
Battery module EX RT EXB 7/11



- ④ Connectors for automatic detection of battery module(s).
- ⑥ Battery module connectors (to the UPS or to other battery modules).
- ⑫ Battery circuit breaker.

1. Presentation

1.3 Display and control panel

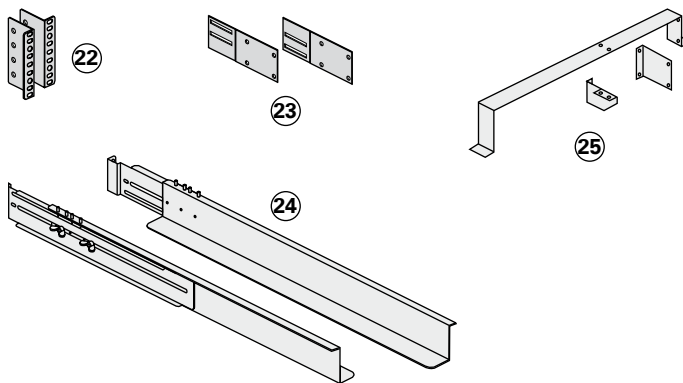


- ⑬ Load protected LED.
- ⑭ Operation on battery LED.
- ⑮ Operation on bypass LED.
- ⑯ Fault LED.
- ⑰ Alphanumeric display.
- ⑱ UPS OFF button.
- ⑲ ⑳ Function buttons (scroll up / scroll down).
- ㉑ UPS ON button (or function button in personalisation mode).

1.4 Options

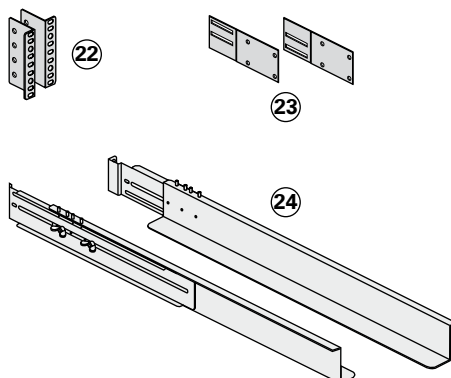
Rack mounting kits

Telescopic rails for Power module mounting in 19" enclosure with mounting hardware
(Part number 68001)



- ⑳ Ear hangup.
- ㉑ Rear bracket system for transportation.
- ㉒ Telescopic rails, 639 mm to 1005 mm length (27.36" to 39.96").
- ㉓ Input/Output box bracket system.

Telescopic rails for Battery module mounting in 19" enclosure with mounting hardware
(Part number 68002)

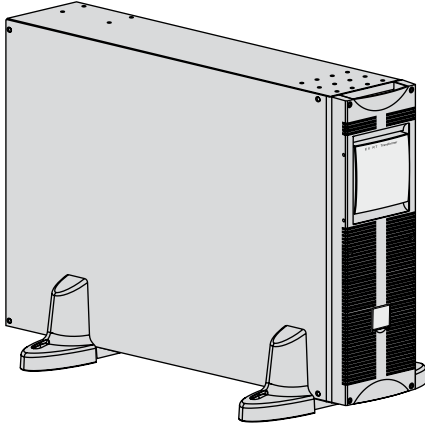


- ⑳ Ear hangup.
- ㉑ Rear bracket system for transportation.
- ㉒ Telescopic rails, 639 mm to 1005 mm length (27.36" to 39.96").

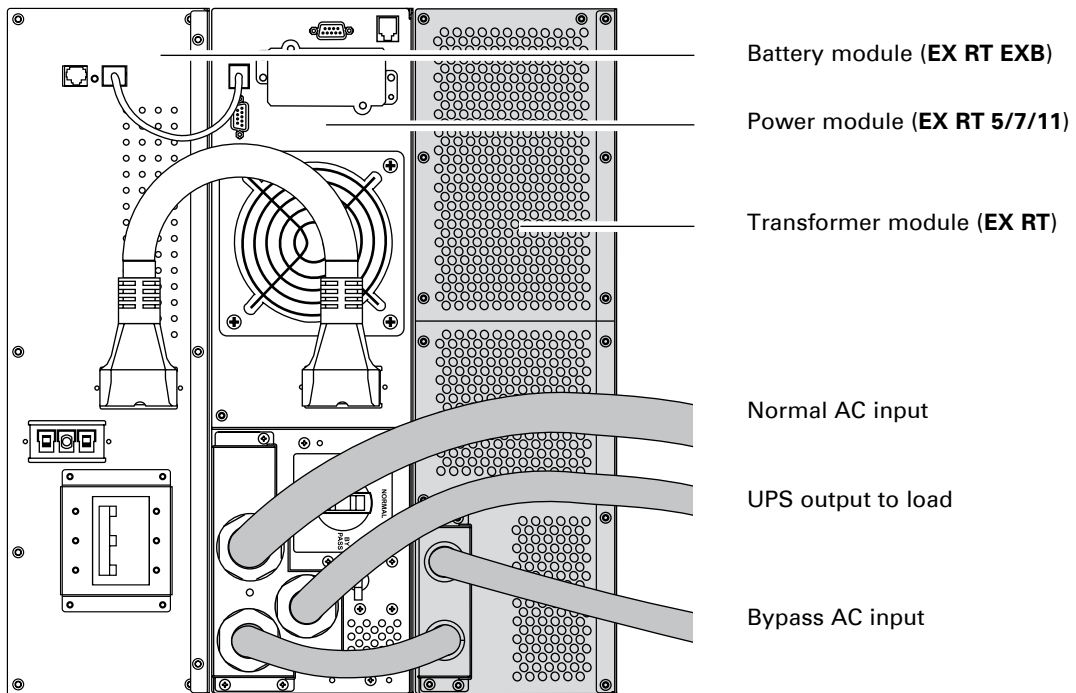
1. Presentation

Transformer for galvanic isolation or earthing arrangement change (Part number 68003)

This module is necessary either when a downstream neutral system from the UPS upstream is required, or when a different power source connects the automatic bypass for higher availability.



Example of EX RT transformer connected upstream for EX RT galvanic isolation



1. Presentation

Battery extensions for UPS backup times up to 60 minutes (at full load)

EX RT offers a standard backup time of 5/9 minutes at full load.

To increase backup time, it is possible to connect EX RT EXB 7/11 modules to the UPSs.

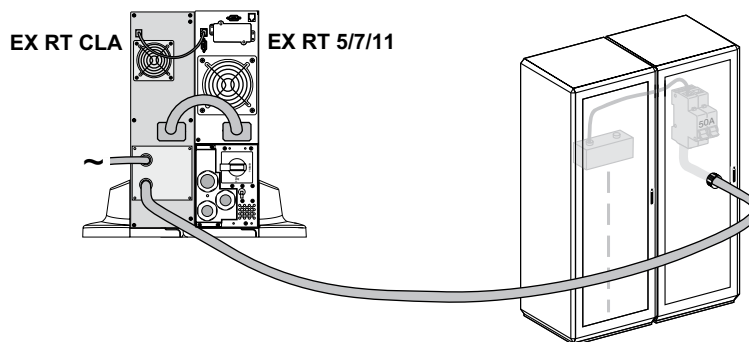
Battery extensions for EX RT 5, EX RT 7 or EX RT 11

	EX RT 5/7 + EX RT EXB 7 RT EX RT 11 + EX RTEXTB 11	+	EX RT EXB 7 EX RT EXB 11	+	EX RT EXB 7 EX RT EXB 11	+	EX RT EXB 7 EX RT EXB 11	+	EX RT EXB 7 EX RT EXB 11	+	EX RT EXB 7 EX RT EXB 11
5 kVA:	9 min		26 min		42 min		60 min		72 min		87 min
7 kVA:	7 min		20 min		32 min		45 min		57 min		70 min
11 kVA:	5 min		14 min		22 min		30 min		42 min		53 min

CLA module (Long backup time charger) for backup times from 2 to 8 hours

(Part number 68004)

Very long backup times, from 2 to 8 hours at full load, require a EX RT CLA module.



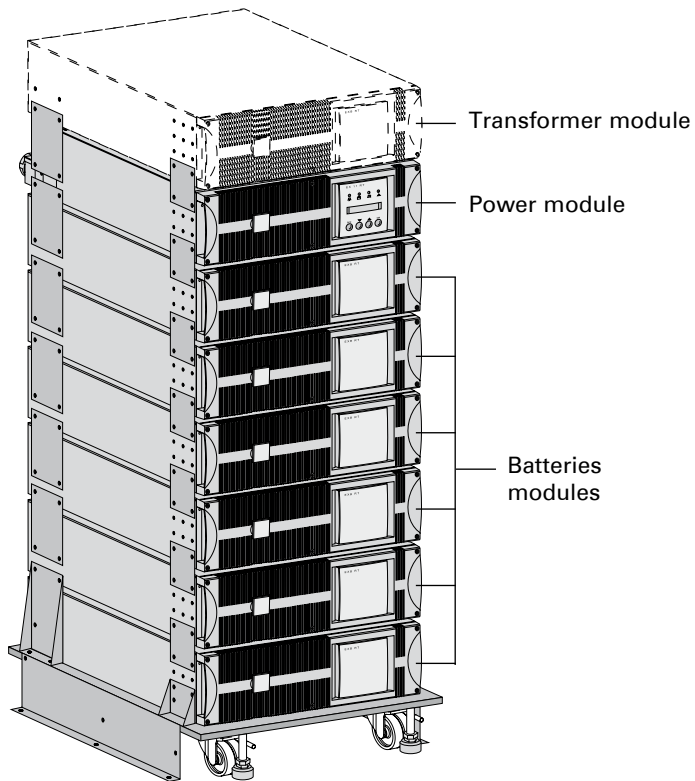
Battery backup time	Recommended batteries for:		
	EX RT 5	EX RT 7	EX RT 11
2 hours	50 Ah	65 Ah	100 Ah
4 hours	100 Ah	130 Ah	200 Ah
8 hours	200 Ah	260 Ah	400 Ah

Total battery voltage : 240 V DC (20 x 12V DC).

The battery capacity must be set within the **UPS** (5 Ah increment possible, see UPS Personalisation section).

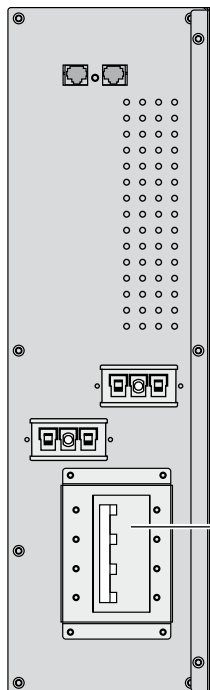
1. Presentation

Modules integration system (Part number 68005)



Modules integration system for extended backup time configurations to conveniently stack and secure up to 8 modules on the same cart (swivel wheels with brakes, leveling feet, seismic side panels, plates to lock modules and screws included).

Battery module with Remote Emergency Power Off function (REPO)



Part number:
EX RT EXB 7 EPO: 68079
EX RT EXB 11 EPO: 68119

⑫ Battery circuit breaker with Remote Emergency Power OFF shunt trip.

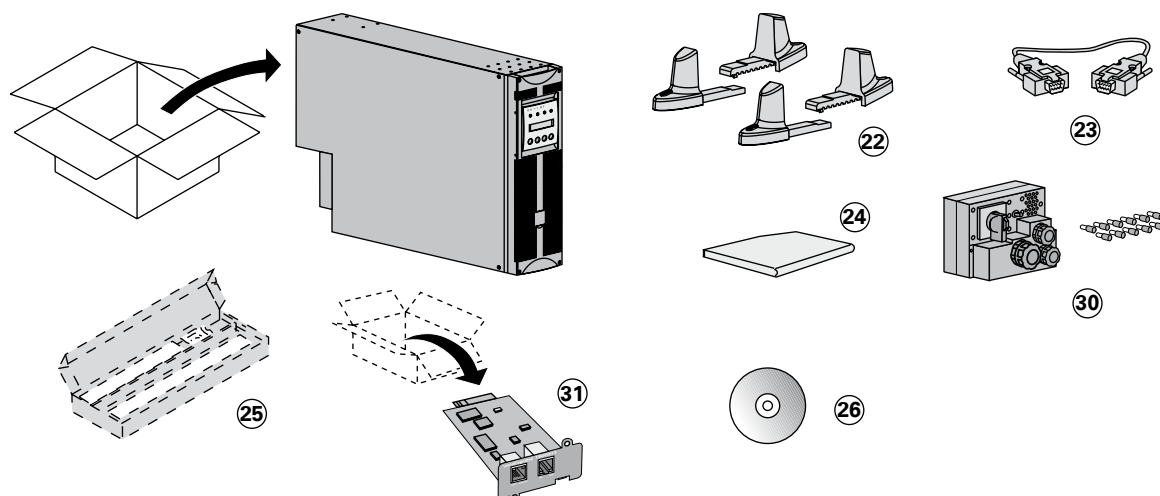
Battery extension cable (1,8 m / 6 ft, Part number 68006)

This extended battery cable will be used instead of the standard battery cable when battery modules are distant from each other (located in two different enclosures, for instance).

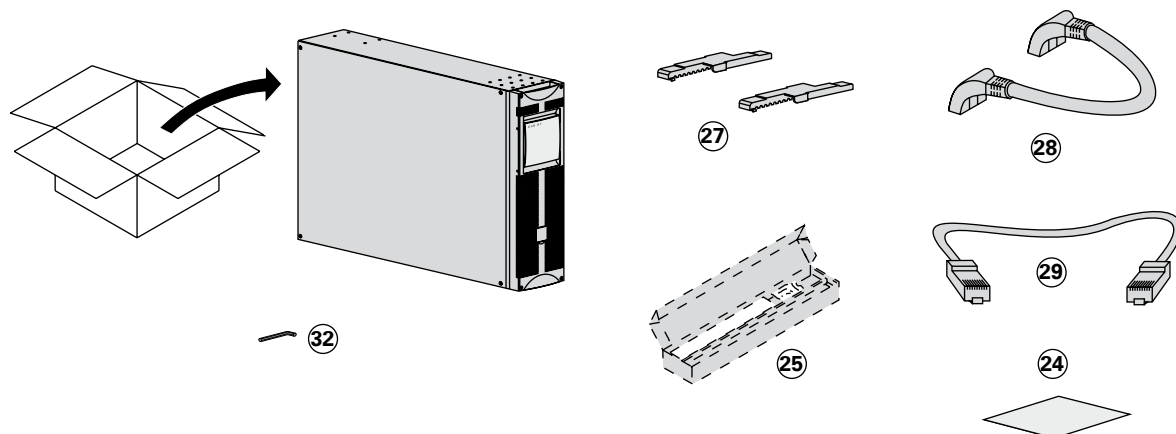
2. Installation

2.1 Unpacking and parts check

Power module



Battery module



- ②② Two sets of tower stands.
- ②③ RS232 communications cable.
- ②④ Product documentation.
- ②⑤ Telescopic rails for rack enclosure with mounting hardware (optional, or standard with **Network Pack** version).
- ②⑥ **Solution-Pac** power management suite CD-ROM.
- ②⑦ Tower stand expanders.
- ②⑧ Battery cable.
- ②⑨ Battery communication cable.
- ③⑩ Input/Output junction box (with 11 insulated ferrules).
- ③① Network Management card (optional, or standard in **Network Pack** version).
- ③② Bezel screw driver.



Packaging must be destroyed according to waste management standards. Recycling icons are displayed for easy selection.



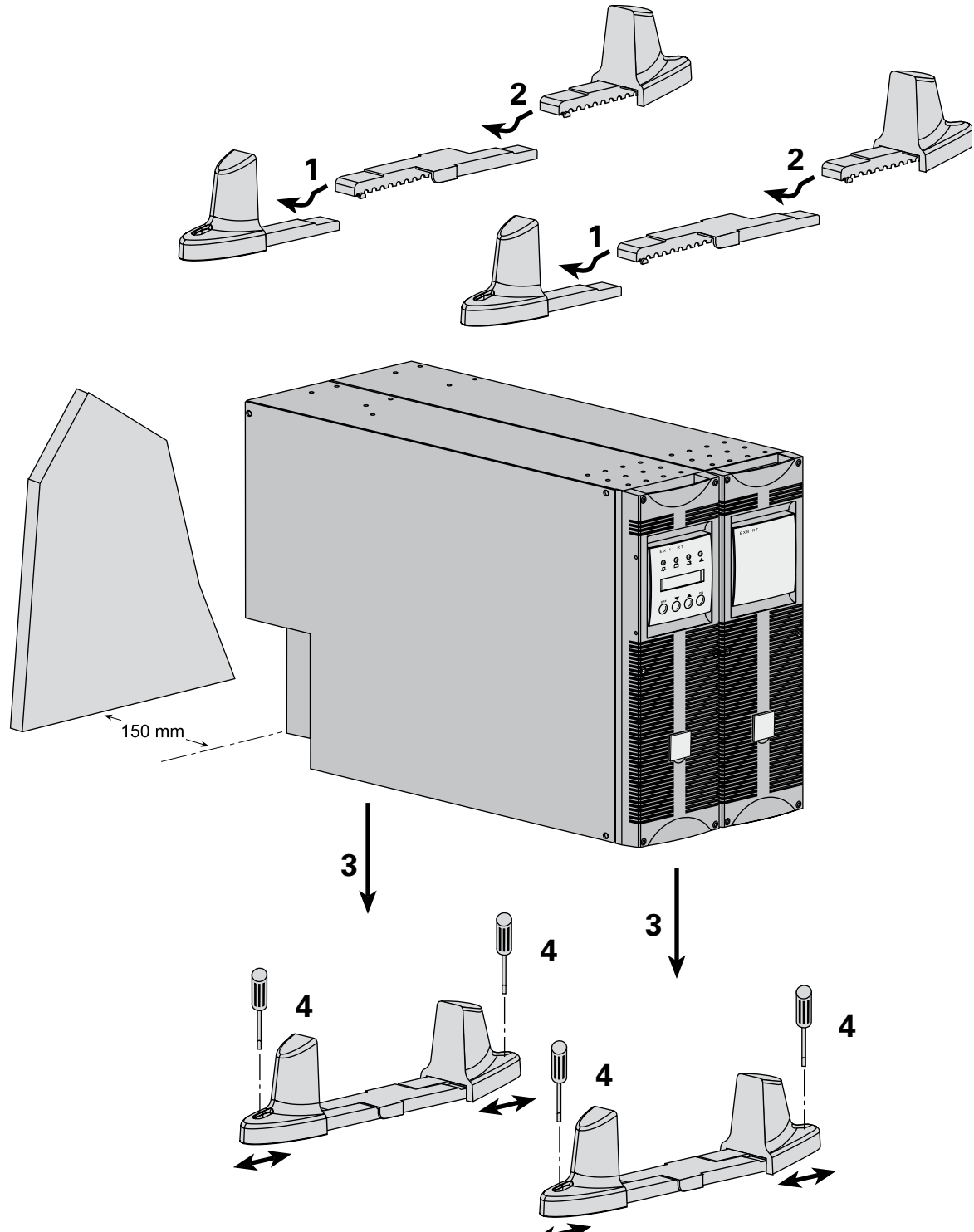
A dangerous voltage is present inside the power module and the battery module. Any operations to be carried out on these modules must be done so by qualified staff.

2. Installation

2.2 Installation in tower configuration



Use the tower stand template provided with the battery module.



Follow steps 1 to 4 to adjust the tower stands for the upright position.



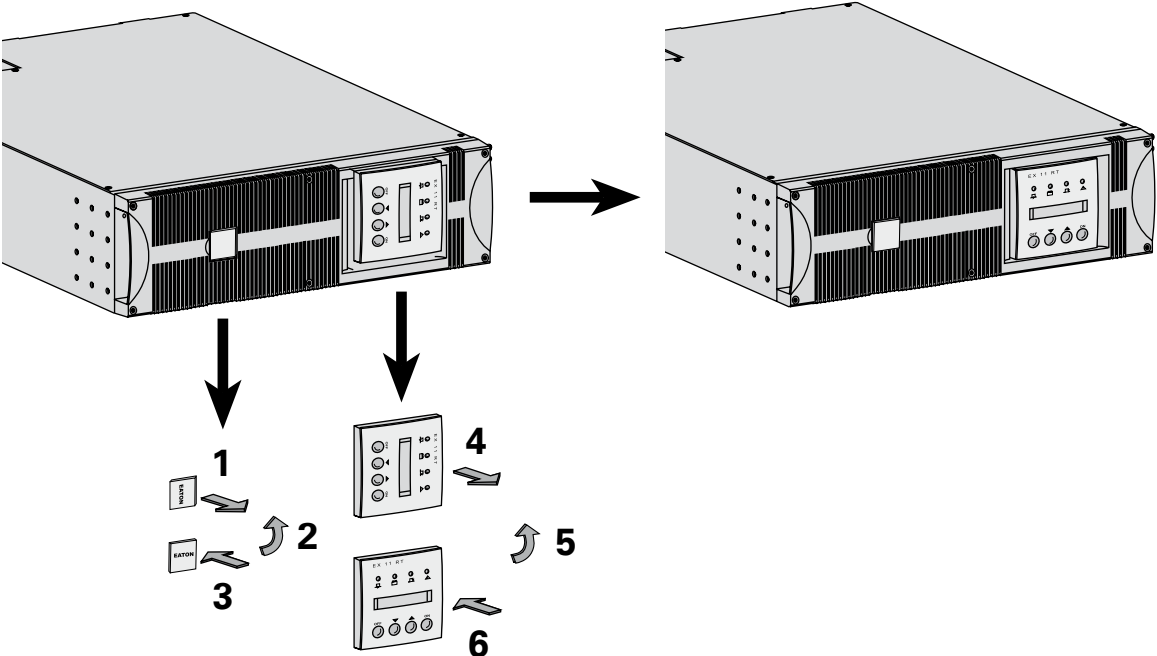
**Always keep 150 mm free space behind the UPS rear panel.
The distance between the tower stands should be 450 mm.**

2. Installation

2.3 Installation in rack configuration

We recommend to mount the battery module first, then mount the power module above the battery

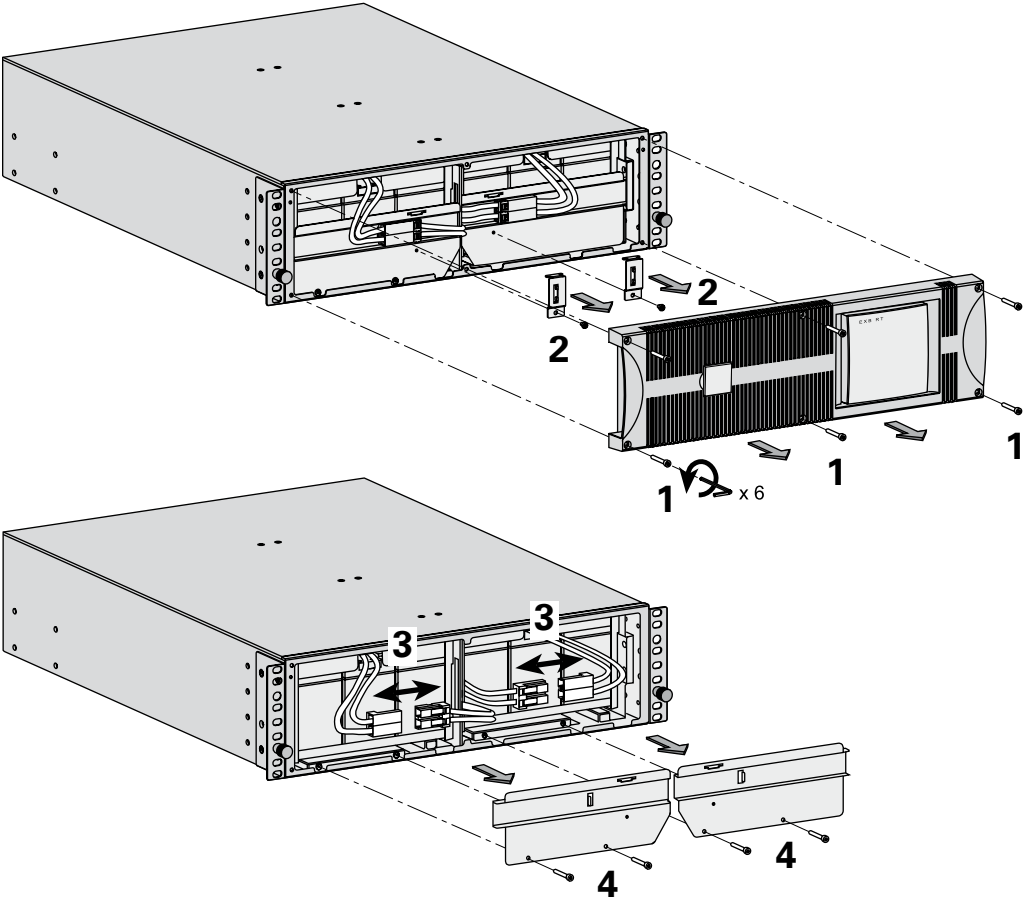
Adjustment of the orientation of the logo and control panels



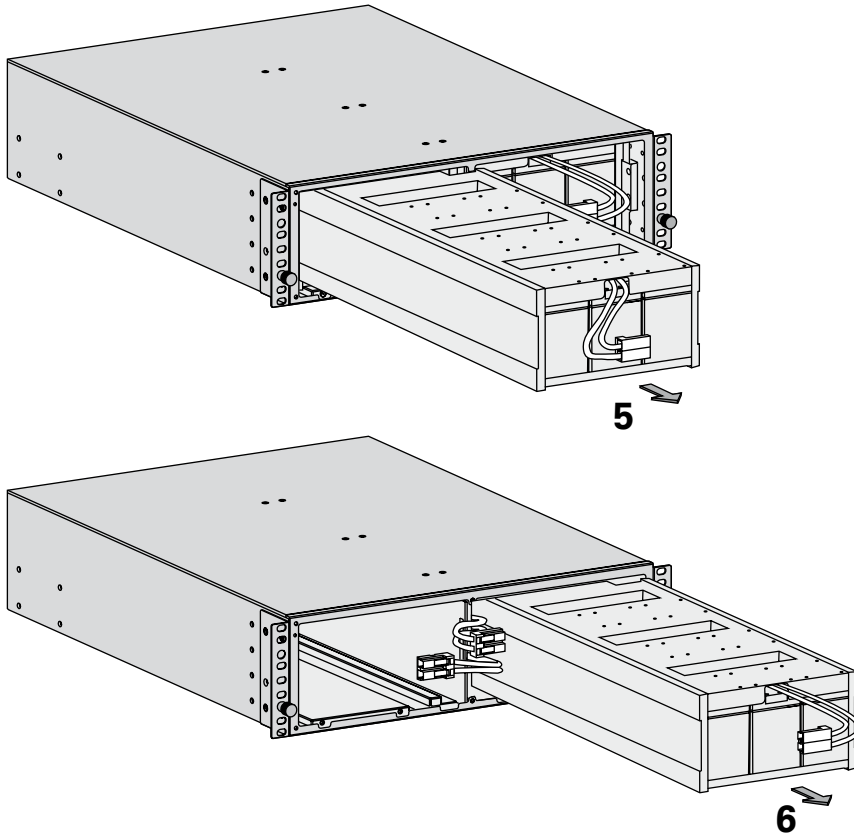
Battery module rack mounting (optional rails required, part number: 68002)



The battery module is very heavy. To ease its rack integration, we strongly recommend to remove the battery trays as explained below:



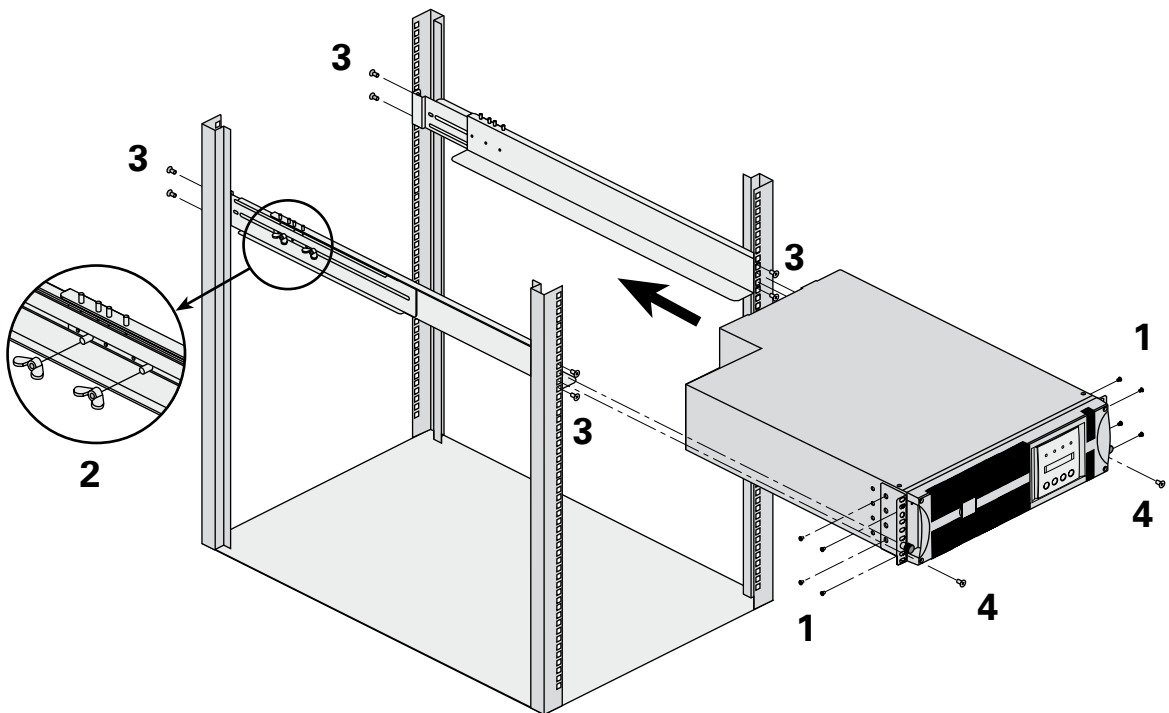
2. Installation



Power or battery module rack mounting (optional rails required, part number: 68001)



Follow steps 1 to 4 for rack mounting the UPS onto the rails.



The rails and the necessary mounting hardware are supplied by EATON.

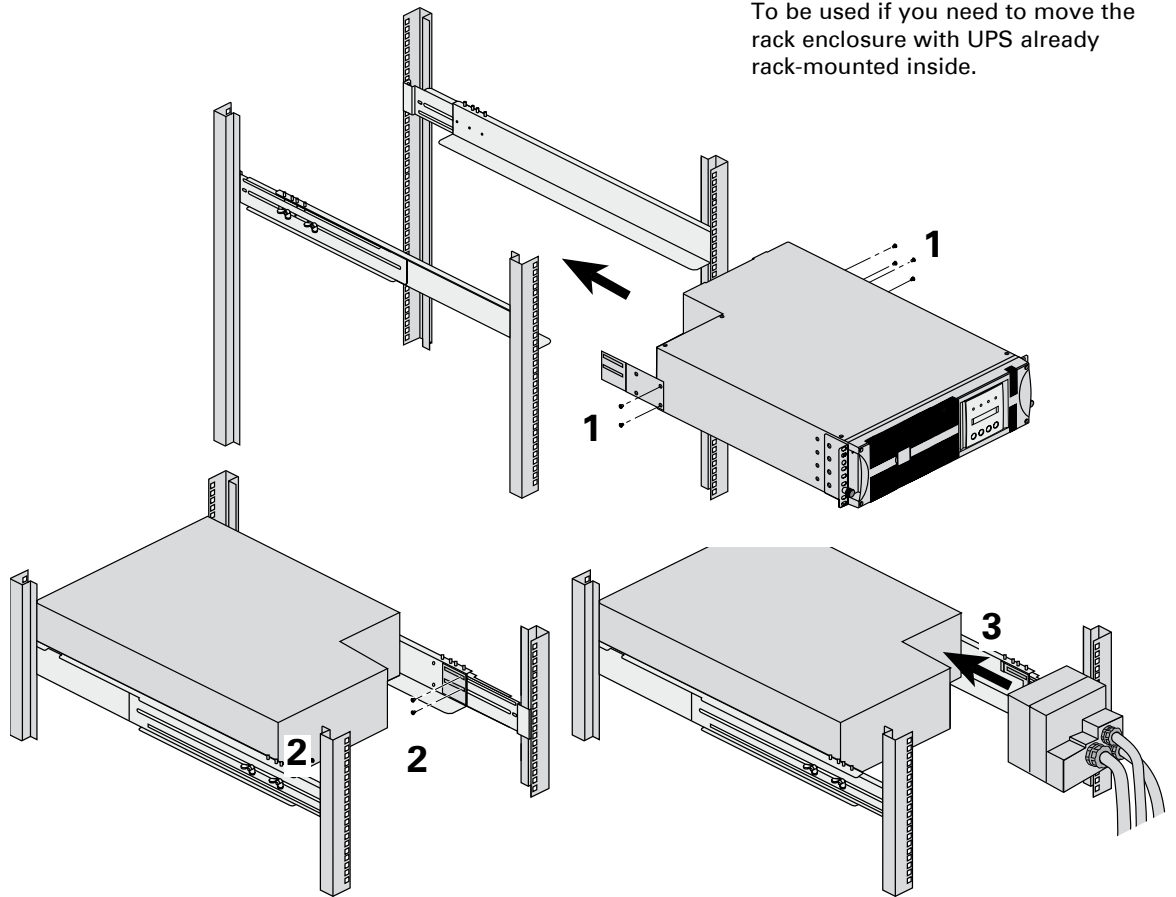
Note for step 1: it is possible to adjust the position of both front mounting ears.

2. Installation

Rear bracket system (included with rail kits, part numbers 68001 and 68002)



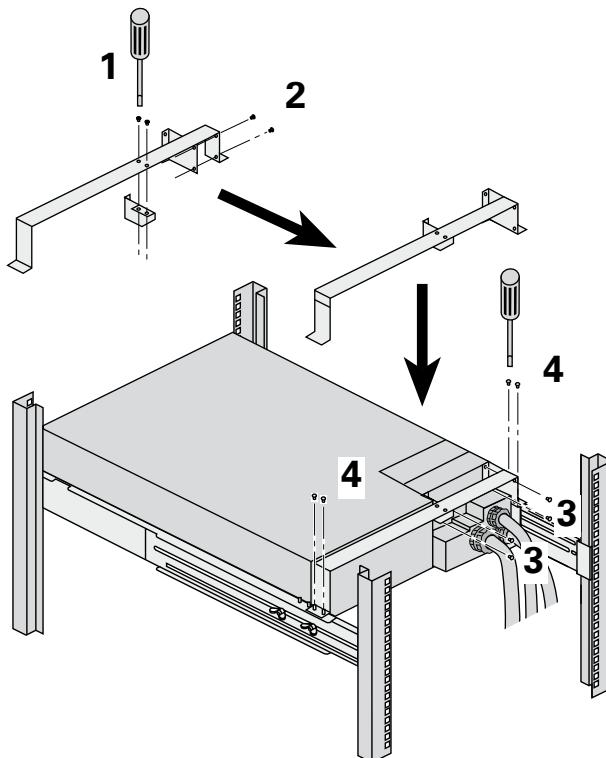
To be used if you need to move the rack enclosure with UPS already rack-mounted inside.



Input/output junction box bracket system (included with power module rail kit, part number 68001)



This bracket will maintain the Input/Output box at the rear of the rack enclosure when hot-swapping the power module. It will then be easier to slide the replacement module into the connectors of the Input/Output box.



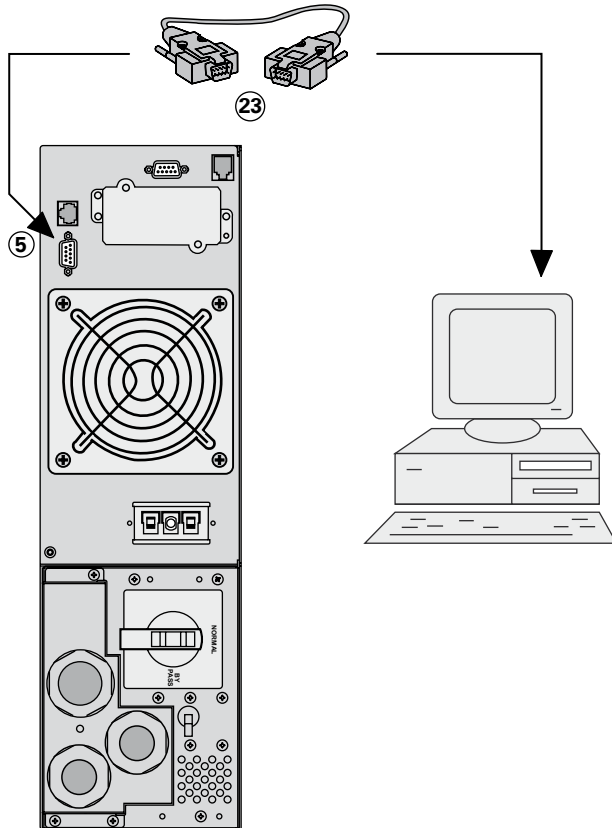
2. Installation

2.4 Communication ports

EX RT provides 3 communication methods that can be used simultaneously:

- The COM port provides RS232 communications using EATON SHUT protocol. Compatible with most power management software applications available into the enclosed **Solution Pac** CD-Rom.
- The output contact port is used for basic signaling or for protection of IT systems like IBM iSeries (formerly AS400) and more.
- The slot is compatible with any EATON communication card (check www.eaton.com web site for the complete list of compatible cards).

Connection to the RS232 communication port

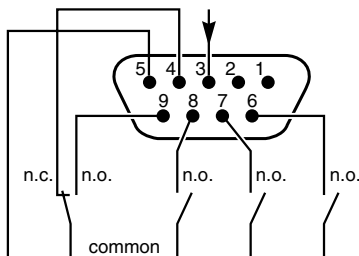


1 - Connect the RS 232 ②③ communications cable to the serial port on the computer.

2 - Connect the other end of the communications cable ②③ to the RS 232 ⑤ communications port on the UPS.

The UPS can now communicate with various EATON power management application software. Please note that the configuration software is included with **Personal Solution Pac** for Windows.

Connection to the communication port by relays ②



- Pin 1, 2: not used,
 - Pin 3: Remote Power Off signal (5 to 27 V DC, 10 mA max),
 - Pin 4: Operation on mains (not on battery),
 - Pin 5: User common,
 - Pin 6: Operation on automatic by-pass,
 - Pin 7: Low battery,
 - Pin 8: Load protected,
 - Pin 9: Operation on battery.
- n.o.: contact normally open.
n.c.: contact normally closed.

When the status is active, the contact between the common (Pin 5) and the relevant information pin is closed.

Output relays specifications

- Voltage: 48 V DC max,
 - Current: 2 A max,
 - Power: 62,5 VA, 30 W.
- Example: for 48 V DC, $I_{max} = 625 \text{ mA}$

2. Installation

Remote Power Off

Installation of a Remote power off function must be carried out in compliance with applicable regulations.

In order to fully de-energize devices and **EX RT** with an RPO port, it is necessary :

- To use a two-position switch (Normally Open or Closed contact should be held more than 1 second to be taken into account).
- To use battery cabinet(s) **EX RT EXB EPO**.
- To connect to this RPO switch a device that allows to trip all breaker(s) located **upstream**⁽¹⁾ AC NORMAL and AC BY PASS as well as **downstream**⁽²⁾ the **EX RT**. This can be achieved through by means of a shunt trip.

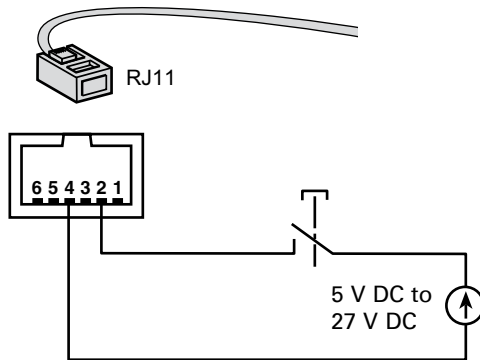
(1) If not, the output devices will remain powered through the **AC BY PASS** if RPO switch has been loosened.

(2) If not, the output devices will remain powered several seconds after the RPO activation.

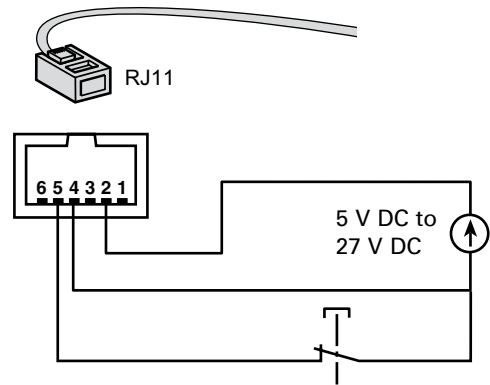
Remote Power Off communication port ③

Used in conjunction with the optional EPO battery module, this port enables total isolation of all power sources connected to the UPS in case of emergency (the cable is not provided).

Remote power off contact normally open

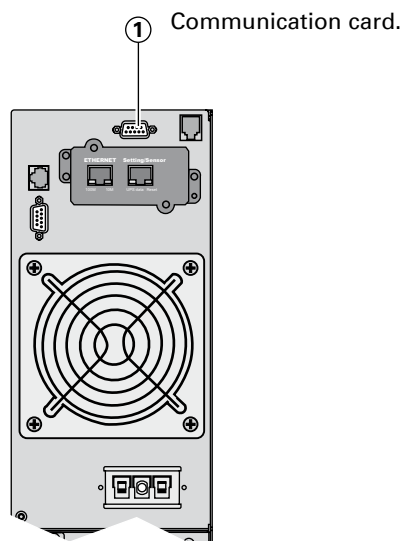


Remote power off contact normally closed



- Signal:
 - activation voltage: 5 V DC to 27 V DC.
 - current: 10 mA max.

Installation of communication cards (optional, standard with the **Network Pack** version)



It is not necessary to shut down the UPS to install the communication card:

- 1 - Remove the slot cover secured by two screws.
- 2 - Insert the card ① into the slot.
- 3 - Secure the card with both screws.

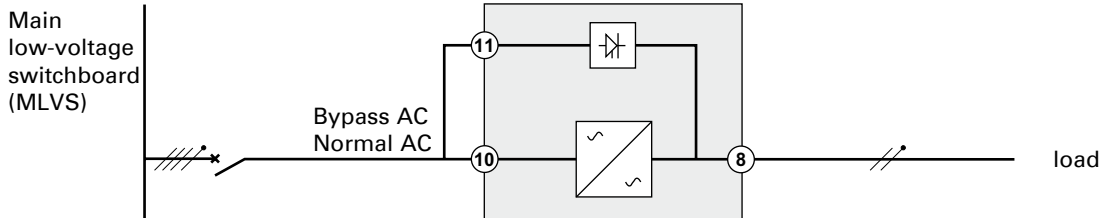
2. Installation

2.5 Installation depending on the system earthing arrangement (SEA)

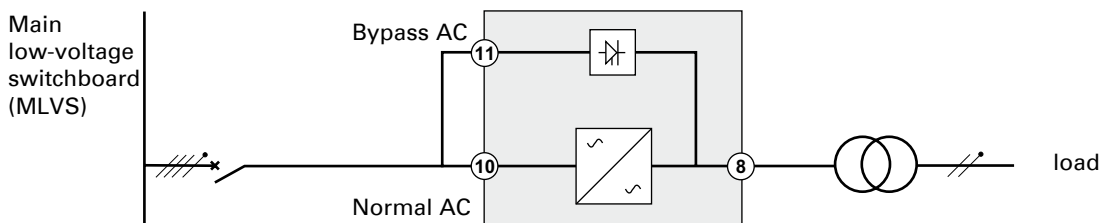


EX RT must be fed from a 3-phase source with neutral.

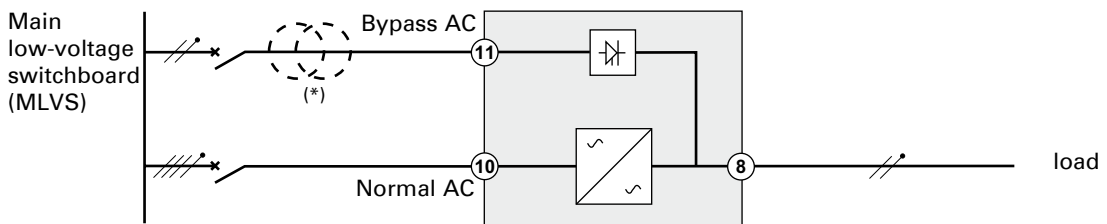
UPS with common Normal and Bypass AC inputs



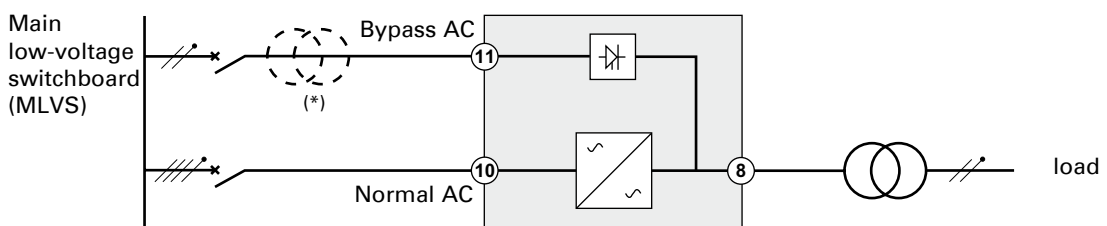
Changement de SLT entre amont et aval ou isolation galvanique requis



ASI avec réseaux d'entrée AC Normal et AC Bypass séparés



Changement de SLT entre amont et aval ou isolation galvanique requis

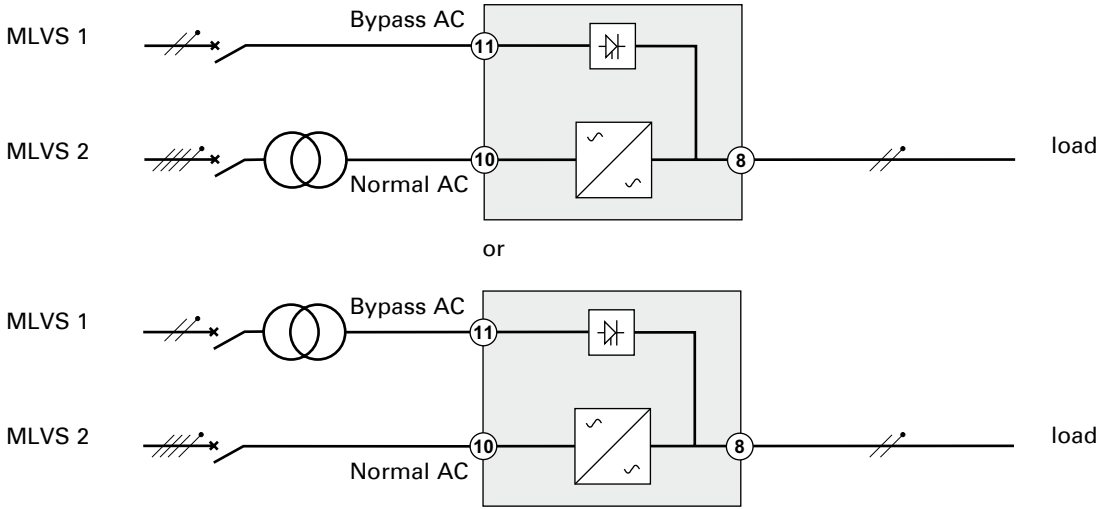


(*): The transformer is not necessary if:

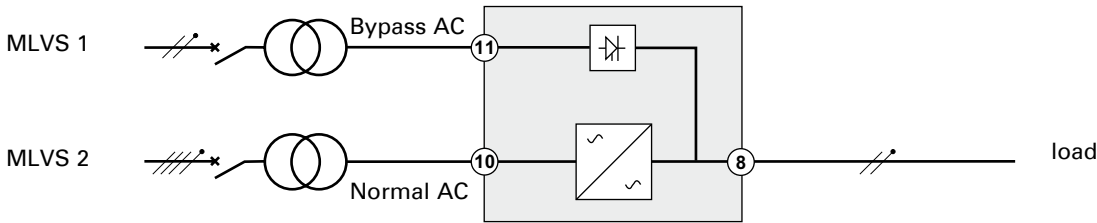
- Normal and Bypass AC inputs are connected to the same source,
- and wires cross sections and wires lengths on Normal and Bypass inputs are identical,
- and upstream protection is provided by only one switch with RCD (residual current device) for Normal and Bypass inputs.

2. Installation

UPS with separate Normal and Bypass AC inputs, supplied by separate sources

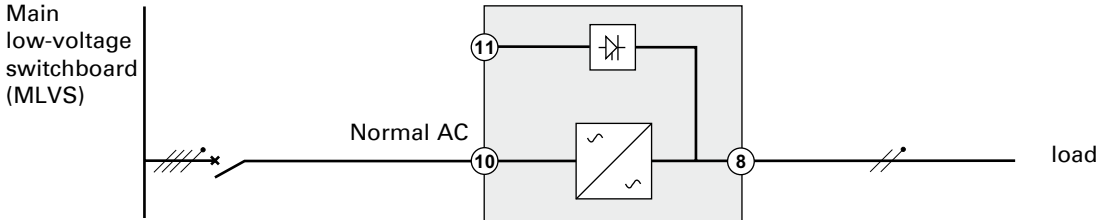


Change in SEA between upstream and downstream or galvanic isolation required



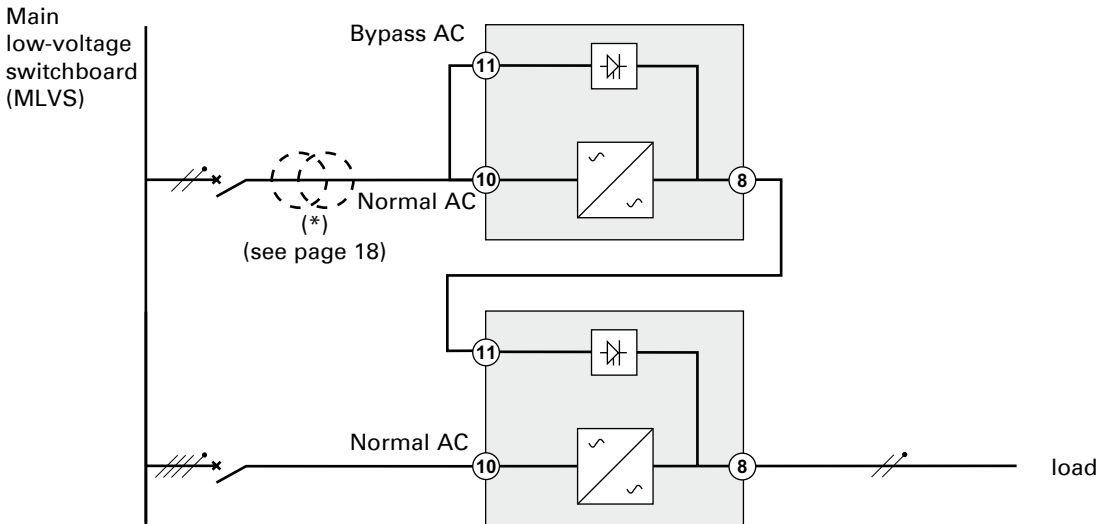
Frequency converter (without Bypass AC input)

Configuration used when the frequency of the application differs from the Mains (Example: marine requirements).



Hot stand by

Configuration used to provide full redundancy (N+1) to critical loads.



2. Installation

2.6 Required protective devices and cable cross-sections

Recommended upstream protection

UPS power rating	Common AC inputs Upstream circuit-breaker Normal / Bypass AC sources	Separate AC inputs	
		Upstream circuit-breaker Normal AC source	Upstream circuit-breaker Bypass AC source
5 kVA	D curve - 40 A	C curve - 32 A	D curve - 40 A
7 kVA	D curve - 40 A	C curve - 32 A	D curve - 40 A
11 kVA	D curve - 63 A	C curve - 40 A	D curve - 63 A



Note: see the simplified diagrams in the appendix for common or separate AC inputs, indicating the positions of the protection devices, the characteristics of the internal UPS fuses and UPS line currents under overload conditions.

Recommended downstream protection

UPS power rating	Downstream circuit breaker
5 kVA	Z curve - 10 A
	C curve - 4 A
7 kVA	Z curve - 10 A
	C curve - 4 A
11 kVA	Z curve - 10 A
	C curve - 6 A

The indicated protection ensures discrimination for each output circuit downstream of the UPS, whether supplied by the Normal or the Bypass AC source.

If these recommendations are not followed, protection discrimination is not achieved and may result in a potential power interruption to the connected devices.



Note: see the simplified diagrams in the appendix for common or separate AC inputs, indicating the positions of the protection devices, the characteristics of the internal UPS fuses and UPS line currents under overload conditions.

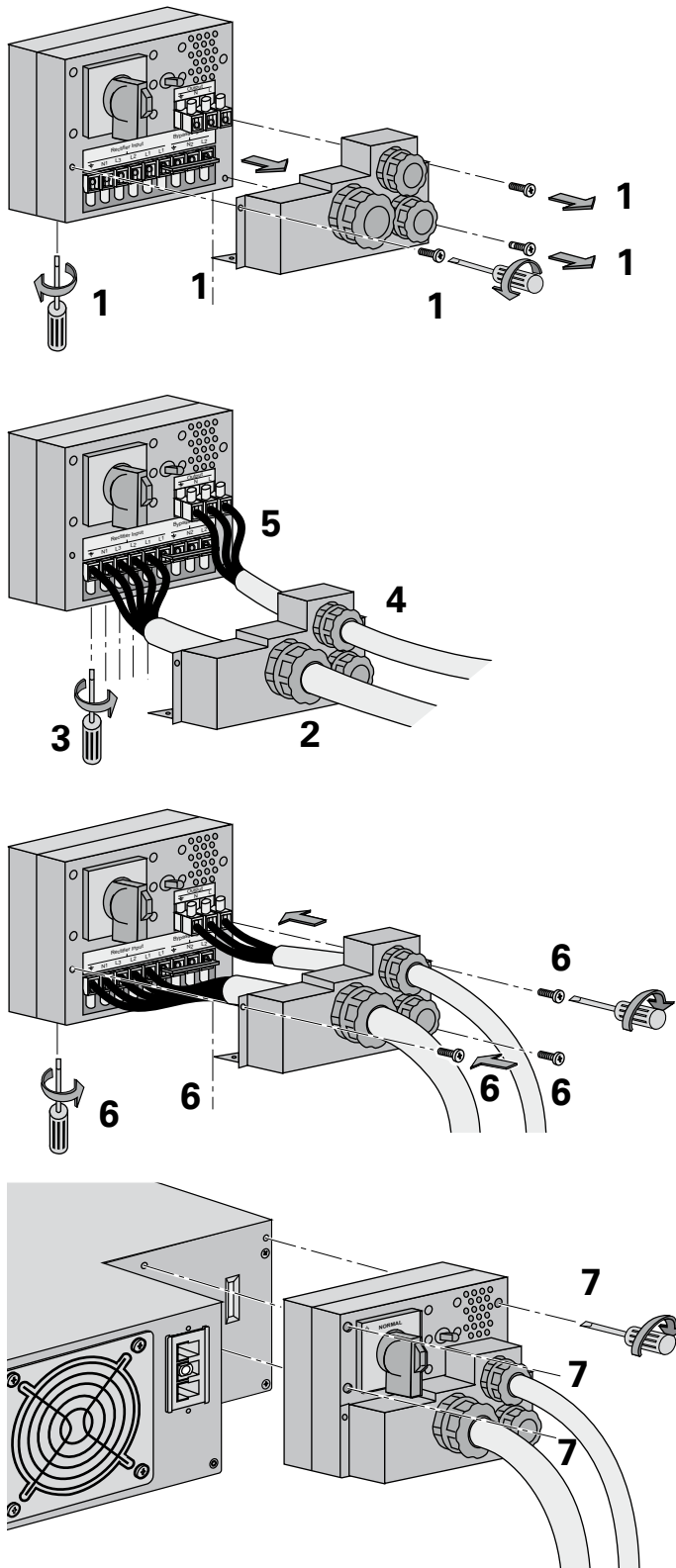
Required cable cross-sections

- Terminal-block cable capacity: 10 mm², solid or stranded wire (maximum 13 mm² or AWG 6).
- Capacity for earthing conductor: 10 mm², solid or stranded wire (maximum 13 mm² or AWG 6).

2.7 Connections of input/output power cables

- This type of connection must be carried out by qualified electrical personnel.
- Before carrying out any connection, check that the battery circuit breaker (12) and that the upstream protection devices (Normal and Bypass AC sources) are open ("0").
- **EX RT** UPS always comes from factory with Normal and Bypass AC inputs already connected together, using a bridge.
- Use included insulated ferrules with stranded wires.

UPS with common Normal and Bypass AC sources



To access the connection terminal blocks, see section 1.2 "Rear panel":
 1 - Remove the terminal block cover (5 screws),
 2 - Insert the Normal AC cable through the cable gland,
 3 - Connect the 5 wires to the Normal AC terminal block,

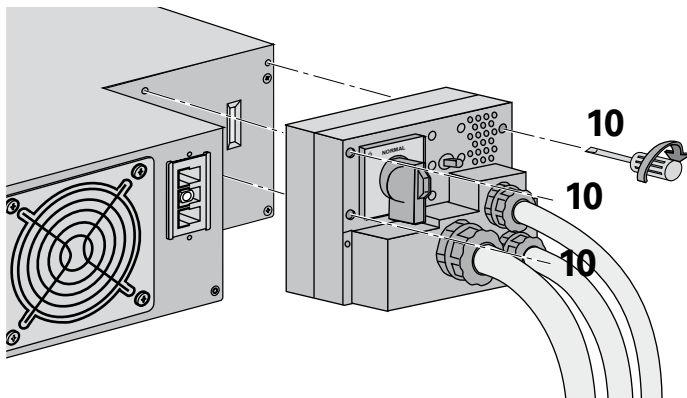
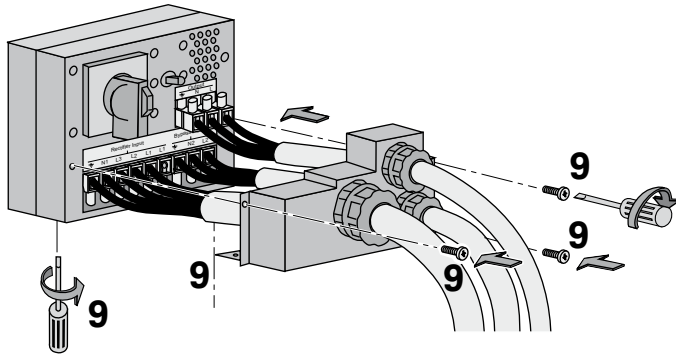
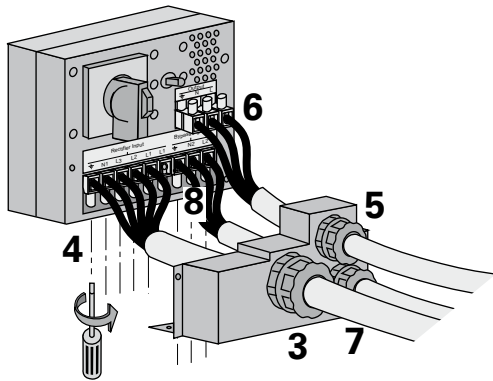
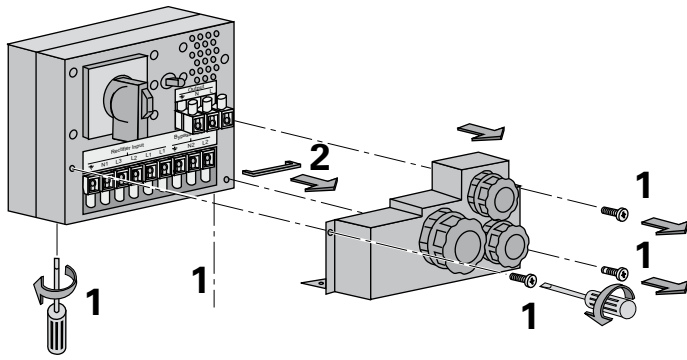


Always connect the earthing wire first.

4 - Insert the output cable to the load through the output cable gland,
 5 - Connect the 3 wires to the output terminal block,
 6 - Refit the terminal block cover and tighten the cable glands,
 7 - Secure the junction Input/Output box to the rear of the power module by means of the 3 screws.

2. Installation

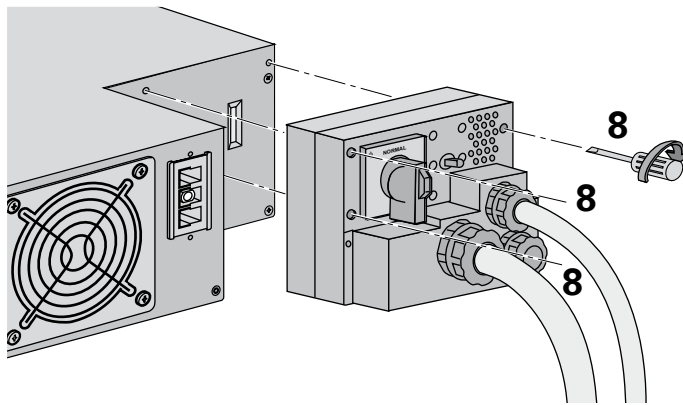
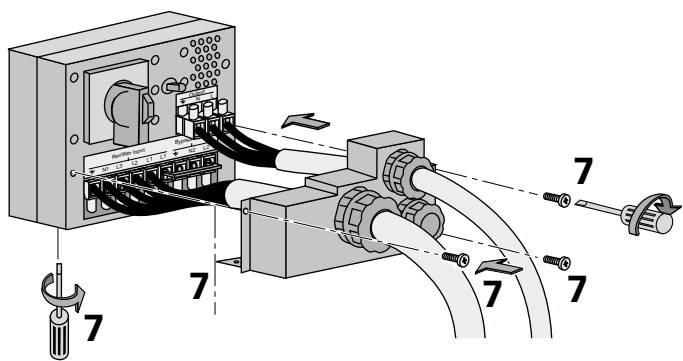
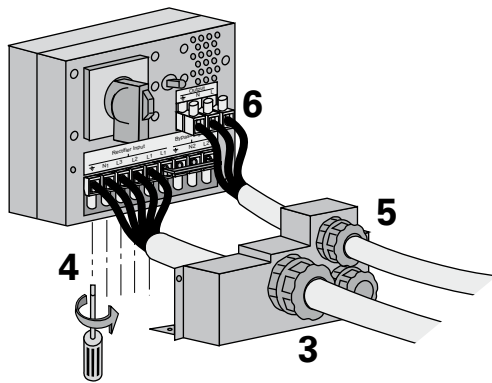
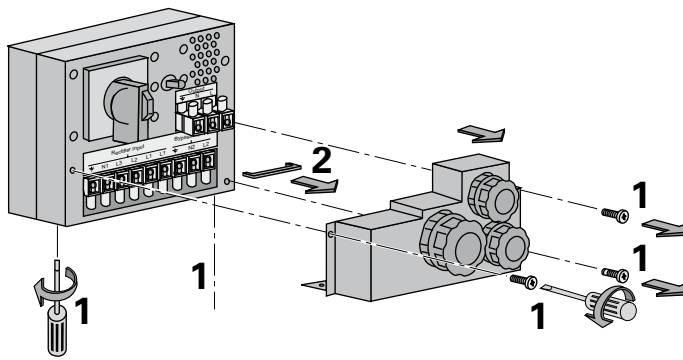
UPS with separate Normal and Bypass AC sources



Always connect the earthing wire first.

2. Installation

Frequency converter



- 1 - Remove the terminal block cover (5 screws),
- 2 - Remove the bridge connected between L2 and L1,
- 3 - Insert the Normal AC cable through the cable gland,
- 4 - Connect the 5 wires to the Normal AC terminal block,



Always connect the earthing wire first.

- 5 - Insert the Output cable supplying the load through the Output cable gland,
- 6 - Connect the 3 wires to output terminal block,

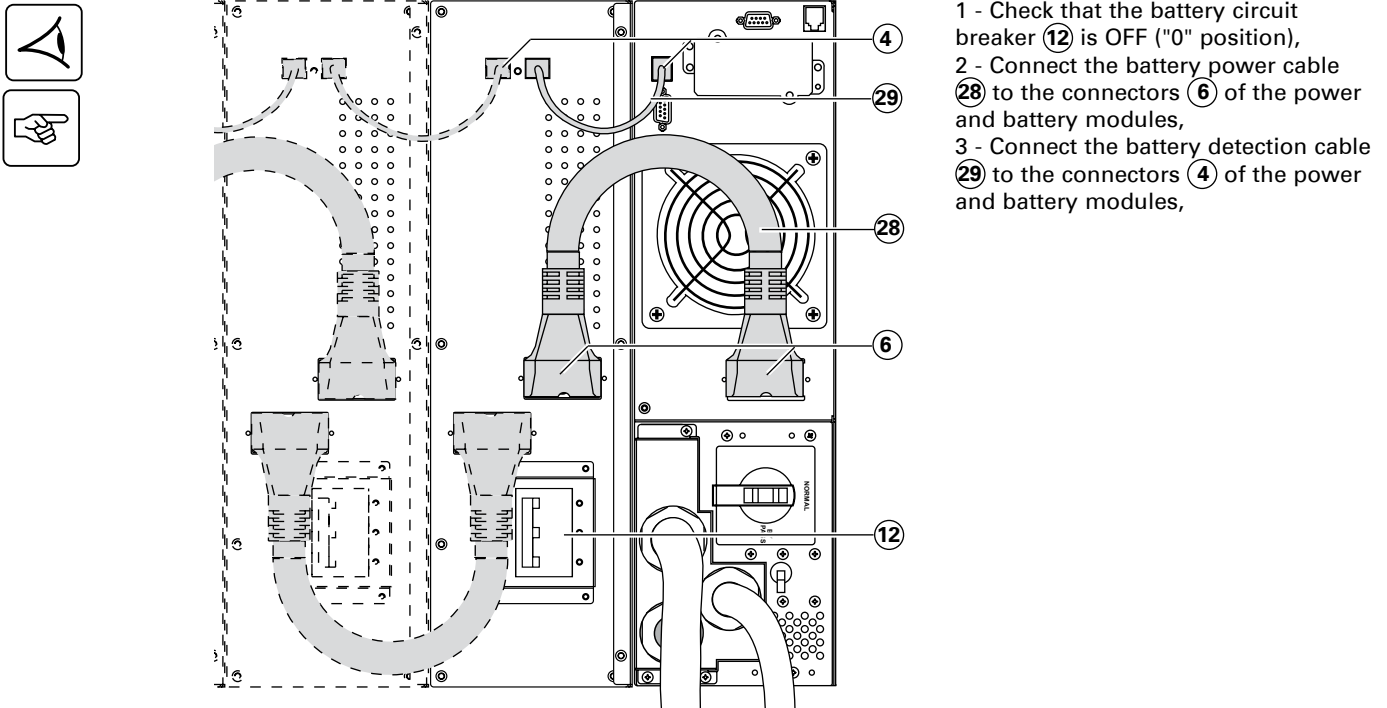


Do not connect anything to the Bypass AC terminal block,

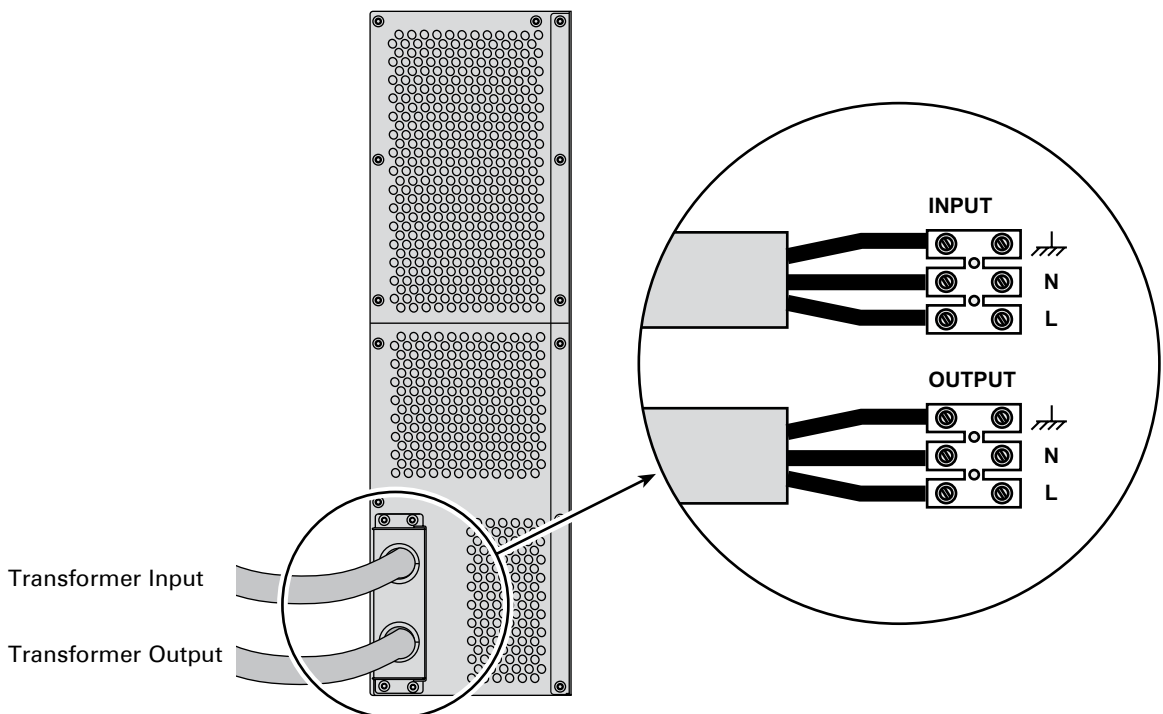
- 7 - Refit the terminal block cover and tighten the cable glands,
- 8 - Secure the junction Input/Output box to the rear of the power module by means of the 3 screws.

2. Installation

Connection of battery cables

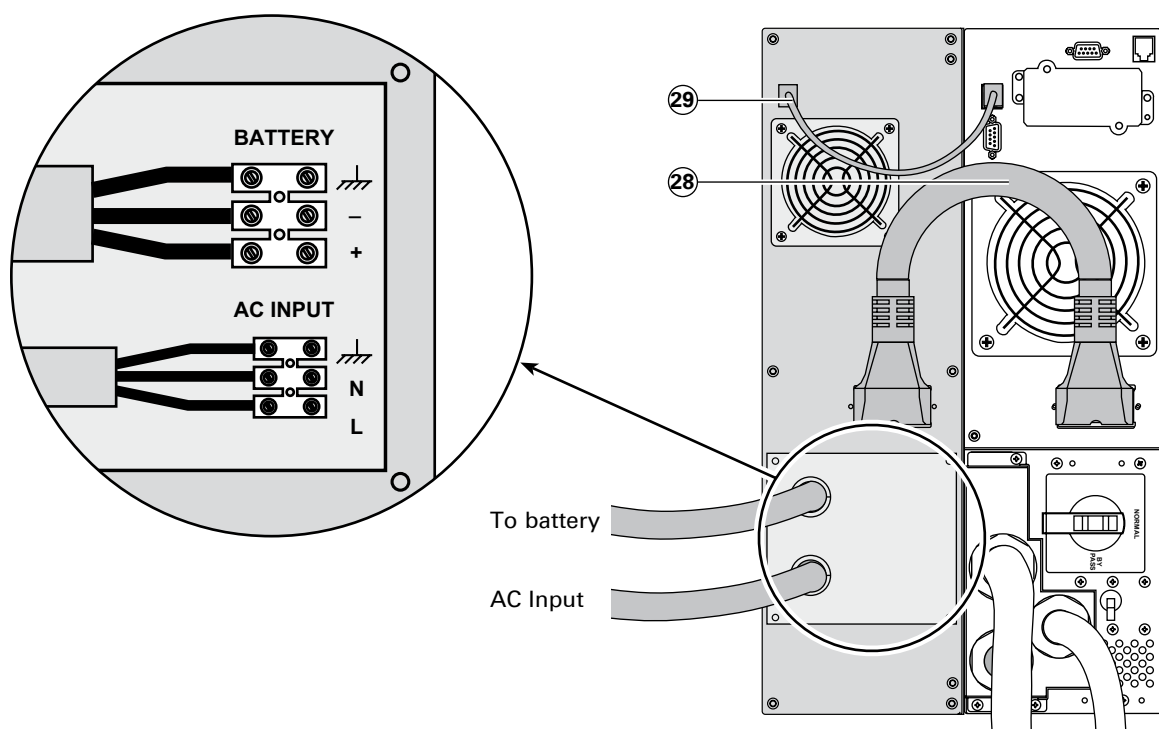


Connection of galvanic isolation transformer



- Output cable cross-section (not provided): 10 mm², solid or stranded wire (maximum 13 mm² or AWG 6).
- Input cable cross-section (not provided): 10 mm², solid or stranded wire (maximum 13 mm² or AWG 6).

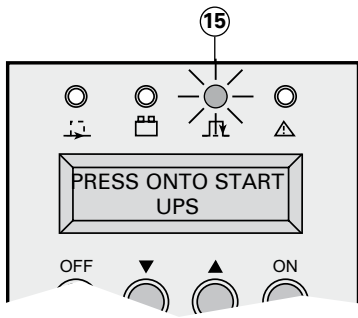
Connection of CLA module



- Connect the battery cable ②⑧ (provided with the **CLA** module) between the power module and the **CLA** module.
- Connect the cable ②⑨ (provided with the **CLA** module) between the power module and the **CLA** module.
- Connect the battery:
 - cable cross-section (not provided): 10 mm², solid or stranded wire (maximum 13 mm² or AWG 6).
 - Use a circuit-breaker (curve B, 50 A) for cable protection.
- Connect the input cable of the **CLA** module to the AC input:
 - AC input cable cross-section (not provided) : 2,5 mm².
 - Use a circuit-breaker (curve C, 10 A) for cable protection.

3. Operation

3.1 Initial start up



Check that the manual bypass switch (7) is on Normal position. Set the normal AC source circuit-breaker (9) to the "I" position. Set the battery circuit breaker (12) to the "I" position.

The load is powered via the bypass AC source, but not protected by the UPS.

Batteries are recharging, an eight-hour recharge period is necessary to get full backup time.

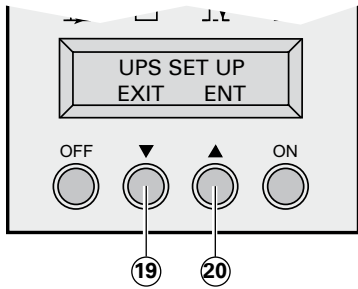
LED (15) is ON.

UPS personalisation



If specific settings are required, it is recommended to enter the UPS personalisation mode at this stage. It is possible to enter this mode through the front panel buttons or the **Personal Solution-Pac** software for Windows included in the EATON **Solution-Pac** power management suite CD-ROM.

Accessing personalisation with front panel buttons



- Press "scroll up" (19) and "scroll down" (20) function buttons together for more than 3 seconds.
- Press the function button (20) placed under the ENT word to enter the set up mode and follow the LCD messages using the buttons now defined as select keys.

Local settings

Function	Factory setting	Options
Language	English	French, Spanish, German, Italian.
Date / time format	International format (DD-MM-YYYY/HH:MM)	US format (MM-DD-YYYY/HH:MM AM/PM).
Date / time change	Time in France	MM-DD-YYYY/HH:MM adjustable.
Audible alarm	Quick beeps	Slow beeps.

Personnalisation de la sortie

Function	Factory setting	Options	Comments
Output voltage	230 Volts AC	200/208/220/240/250	
Frequency converter	Disabled	Enabled	Bypass AC source disabled.
Output frequency	Auto ranging	50/60 Hz	User selectable under frequency converter mode.
Eco mode	Disabled	Enabled	See glossary.
Hot standby	Disabled	Enabled	N+1 redundancy (See section 2.5 "Hot standby").
Operating mode	Industrial	I/T Network	(*)
Transfer on Bypass AC source	If the Bypass AC source is out of tolerances	If the Bypass AC source is inside tolerances	(*)
Break time	10 ms	10 to 200 ms (by steps of 10 ms)	Break time calibration during load transfer on Bypass AC source out of tolerances.
Overload level	102 %	50/70 %	

(*) : - Select "I/T Network" and "AC Bypass within tolerance" for computer loads.

- Select "Industrial" and "AC Bypass out of tolerance" in case of absolute need for service continuity (with potential 10 ms break).

3. Operation

ON/OFF features

Function	Factory setting	Options	Comments
Cold start	Disabled	Enabled	Start on battery.
Forced reboot	Enabled	Disabled	Enables automatic restart of the system even if normal AC source is restored before the end of the shutdown sequence.
Automatic restart	Enabled	Disabled	UPS restarts automatically when normal AC source is restored.
Sleep mode	Disabled	Enabled	Automatic shutdown on battery if output load level < 10%.
UPS ON/OFF by software	Enabled	Disabled	Enables consideration of shutdown or restart orders from software to be authorized.

Personnalisation batterie

Function	Factory setting	Options	Comments
Battery test	Every week	No test / daily / monthly	
Low battery signal	20 %	0 to 100 %	1% increment.
Run time choice	UPS reads # of battery modules connected	From 50 to 400 Ah	Requires EX RT CLA if using options (see section 1.4 "Battery extensions").
Battery deep discharge protection	Enabled	Disabled	If disabled, lost of EATON warranty.

- Use EXIT key when set up is completed.
- These parameters are only adjustable if **UPS** is OFF.

Access to the personalisation through external software



- Insert the **Solution-Pac** CD ROM in your CD drive.
- At the first Navigator Screen, select "Installation" and follow the instructions to install **Personal Solution-Pac** for Windows.
- If nothing appears, launch startup.exe
- Then go to "Advanced settings" and "UPS settings".

Please note that the Linux/Unix/MacOS versions of **Personal Solution-Pac** do not include this feature.

3.2 Final start up sequence



- Press the ON button more than 3 seconds.
- After UPS internal test sequence, the green LED **13** goes on.

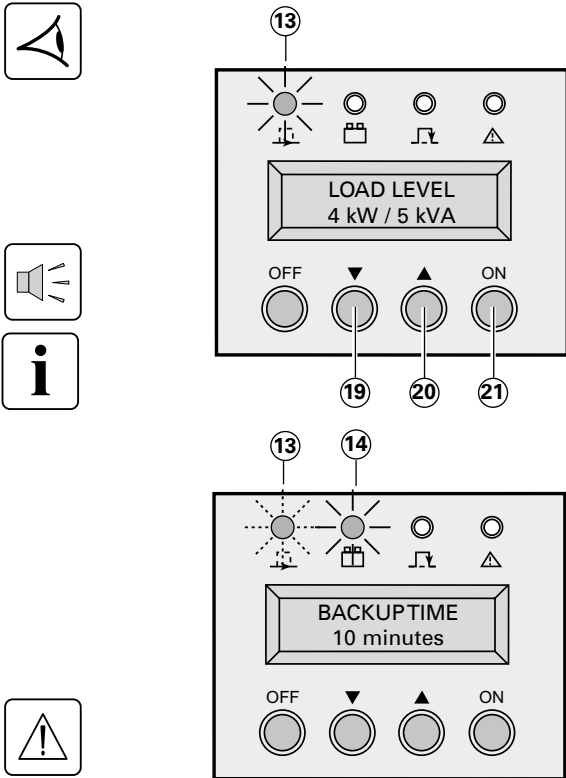


During the restart, if the Bypass AC source is out of tolerance, the UPS will generate an output 10 ms calibrated break.

3. Operation

3.3 Operating modes

Normal (double conversion) mode



This is the standard operating mode, set by default in the factory.

Two possible choices.

1 - Normal AC source available:

LED 13 is ON.

The load is protected by the UPS.

Scroll up 19 and scroll down 20 function buttons allow you to read the UPS measurements (Normal AC source voltage, Bypass AC source voltage, operating mode, battery capacity and UPS Serial Number).

2 - Normal AC source not available:

LED 13 flashes.

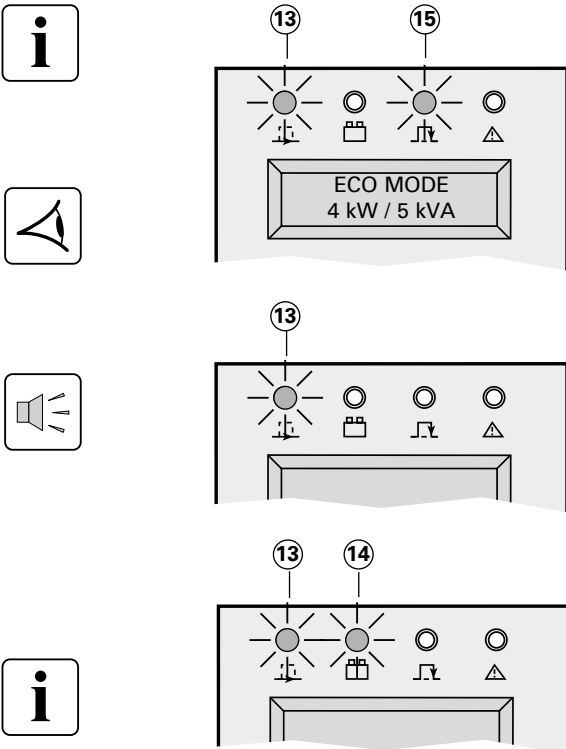
LED 14 is ON.

The audible alarm sounds intermittently.

The load is supplied by the UPS from battery power.

Do not operate the manual Bypass switch 7 when the UPS is in the normal mode.

Eco mode



The main advantage of the Eco mode (see glossary) is that it reduces the consumption of electrical power.

Three possible choices:

1 - Bypass AC source available:

LEDs 13 and 15 are ON.

The load is supplied in ECO mode.

2 - Bypass AC source not available:

LED 13 is ON.

The audio alarm sounds intermittently.

The load is automatically supplied in Normal mode via the Normal AC input.

3 - Both Normal and Bypass AC sources not available or out of tolerance:

LED 13 is ON.

LED 14 is ON.

The audio alarm sounds intermittently.

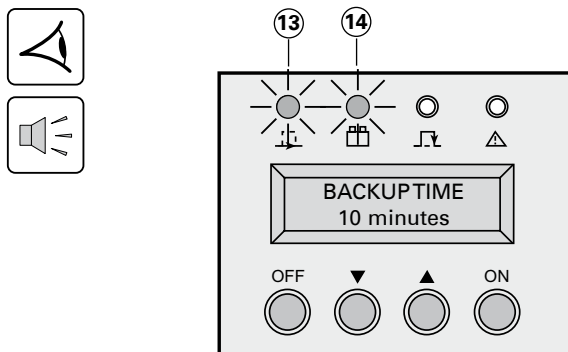
The load is supplied by the UPS from battery power.

The display indicates the battery remaining backup time.

3.4 Operation on battery power

The load continues to be protected by the UPS when the Normal AC source is not available. Power is supplied by the battery.

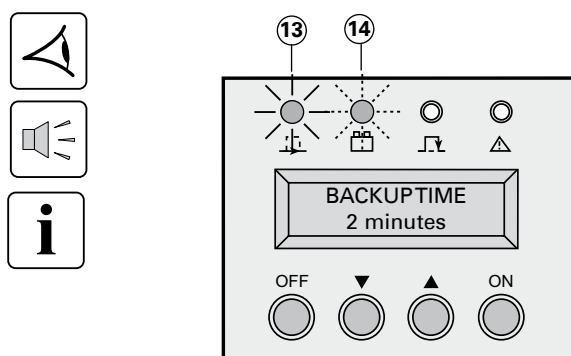
Transfer to battery power



LED 13 is ON.
LED 14 is ON.
The audio alarm beeps every 10 seconds.

The load is supplied by the battery.
The display indicates the battery remaining backup time.

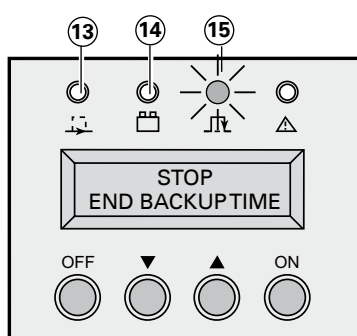
Threshold for the low-battery warning



LED 13 is ON.
LED 14 flashes.
The audio alarm beeps every 3 seconds.

Low battery warning on display. There is very little remaining battery backup time. Close all applications because UPS automatic shutdown is impending.

End of backup time



LED 13 and 14 are OFF.
The audio alarm is stopped.

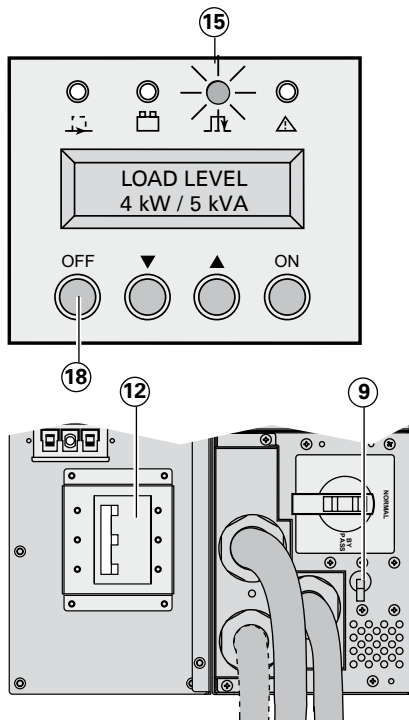
The load is transferred to the Bypass AC source if available. In this case, the LED 15 is ON.

3.5 Return of Normal AC source

After an outage, the UPS restarts automatically when AC power is restored (unless this function has been disabled via UPS personalisation).

3. Operation

3.6 Shut down



1 - Press the OFF button (18) more than 3 seconds.



The load is no longer protected by the UPS. It is powered via the bypass AC source. If the UPS is set in frequency converter mode, the load will not be powered.

If the bypass AC source is out of tolerance, the UPS will generate a 10 ms output calibrated break.

2 - Set the battery circuit breaker(s) (12) to the "0" position.

3 - Set the Normal AC source circuit-breaker (9) to the "0" position.

4 - For a full shutdown of UPS and connected load, the

4.1 Troubleshooting



If any of LEDs ⑮ or ⑯ is on, there is an operating anomaly or an alarm. Use "scroll up" or "scroll down" function button to reset the audible alarm.

Troubleshooting not requiring EATON after-sales support:

Indication	Signification	Correction
Led ⑮ is on, the alphanumeric display shows: BAD CONNECTION REWIRE AC NORMAL	AC source is not connected to the correct terminals.	Rewire correctly the normal AC source.
Led ⑮ is on, the alphanumeric display shows: LOAD LEVEL Xx kW / XX KVA	Load supplied by bypass AC source.	Push the ON button for more than 3 seconds.
Led ⑮ is on*, the alphanumeric display shows: THERMAL OVERLOAD 1XX%	UPS overload.	Check the power drawn by the equipment and disconnect any non-priority devices.
Led ⑯ is on, the alphanumeric display shows: CURRENT OVERLOAD	Short circuit conditions on output devices.	Check if any device is shorted or failed.
Audible alarm is on, the alphanumeric display shows: I/O BOX REMOVED	Junction of Input/Output box not correctly screwed.	Check if the junction Input/Output

(*) : if bypass AC source available.

Troubleshooting requiring EATON after-sales support:

Indication	Signification	Correction
Leds ⑮* and ⑯ are on and audible alarm is on. The alphanumeric display shows: xxx FAULT www.eaton.com	Internal fault and transfer of load on bypass AC source.	Follow the UPS replacement procedure (see section 4.3). Call the after sales support department.
Led ⑮ is on* and audible alarm is on. the alphanumeric display shows: BATTERY FAULT	Battery fault during the battery test.	Follow the battery replacement procedure (see section 4.3). Call the after sales support department.
Led ⑮ is on, the alphanumeric display shows: SHUTDOWN STATIC SW FAILED	Static switch failure.	Follow the UPS replacement procedure (see section 4.3). Call the after sales support department.
Audible alarm is on, and the alphanumeric display shows: BATTERY CHECK www.eaton.com	Batteries may have exceeded there rated life period. Battery capacity is severely reduced.	Call the local after sales support: www.eaton.com, "Contact Us" section**.

(*): if bypass AC source is available.

(**): to reset this alarm permanently, press both function buttons ⑰ and ⑱ for more than 3 seconds and access the LCM Setup menu.

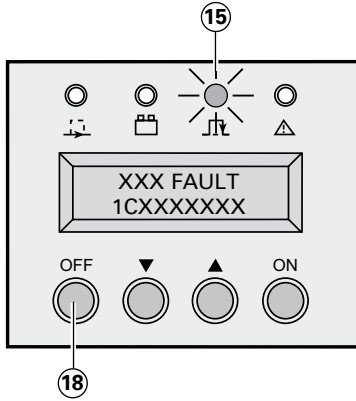
4. Maintenance

4.2 Hot-swapping the power module



This operation can be performed without interrupting the load.

Disconnecting the power module

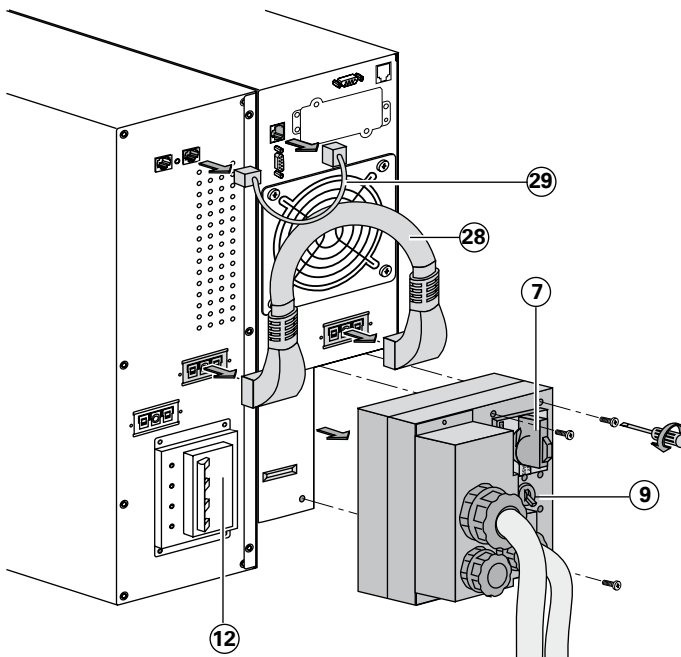


- Stop the UPS with the OFF button (18) (press more than 3 seconds).
- Check if UPS is on bypass AC source:
led (15) is on (If led (15) is not on, do not turn the manual bypass and call the after sales support department).
- Turn the manual bypass switch (7) to the BYPASS position.
- Switch the battery circuit breaker(s) (12) to the "0" position.
- Switch the Normal AC source circuit-breaker (9) to the "0" position and wait 30 seconds.
- Remove the three fixing screws to free the junction Input/Output box.
- Disconnect the battery cables (28) and (29) from the power module.

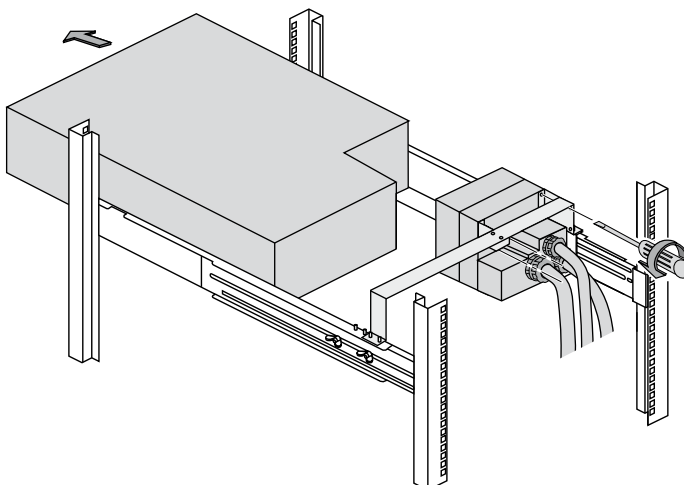


The power module can be replaced.
The connected equipment is powered by the Bypass AC source.

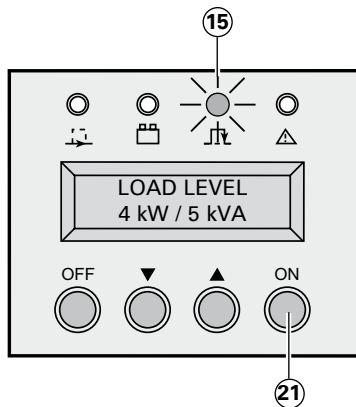
Tower configuration



Rack configuration



Reconnecting the power module

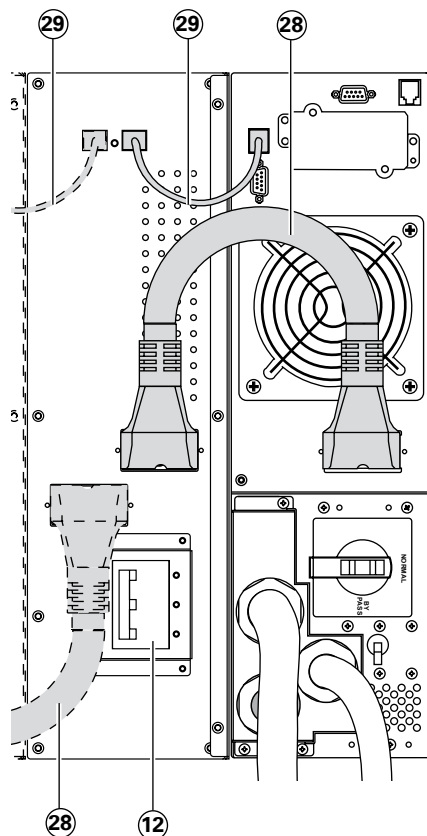


- Secure the Input/Output junction box using the three screws.
- Reconnect the battery cables (28) and (29) to the power module.
- Switch the battery circuit breaker(s) (12) to the "I" position.
- Switch the Normal AC source circuit-breaker (9) to the "I" position.
- Turn the manual bypass switch from the BYPASS to the NORMAL position.
- Check that the led (15) is on.
- Follow initial start up sequence (see section 3.1) in order to personalize the UPS.
- Push the ON button (21) for more than 3 seconds.

The green led (13) is on, and the connected equipment is now protected by the UPS.

4.3 Hot-swapping the battery module

Disconnecting the battery module



- Switch the battery circuit breaker(s) (12) to the "0" position.
- Disconnect the battery cables (28) and (29) from the power module.

The battery module can be replaced. The connected equipment is powered by the UPS.

It is also possible to replace battery trays instead of battery module.

Contact your nearest after sales support service.

To remove battery trays:

- First, switch the battery circuit breaker(s) (12) to the "0" position.
- See section 2.3 and follow instructions to remove battery trays.

Reconnecting the battery module



- Reconnect the battery cables (28) and (29) to the power module.
- Switch the battery circuit breaker(s) (12) to the "I" position.

To reconnect battery trays:

See section 2.3 and follow the reverse instructions.

- When battery module front panel is closed, connect the battery cables (28) and (29) to the power module.
- Switch the battery circuit breaker(s) (12) to the "I" position.

4. Maintenance

4.4 Training Center



To allow you to use EATON products effectively and carry out basic maintenance, we offer a complete range of technical training courses in English and French.

For further information, please visit our website: www.eaton.com

5.1 Technical specifications

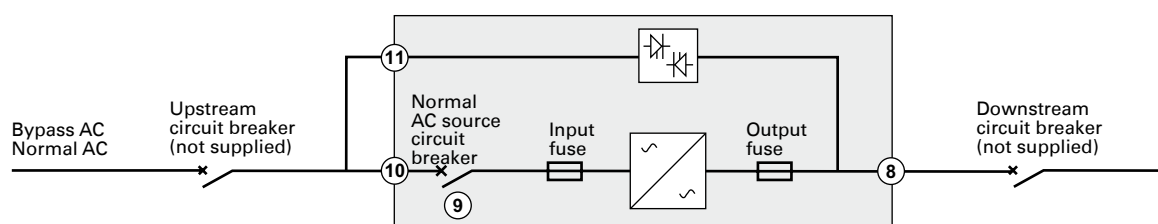
Electrical characteristics

I/T network and industrial operating modes

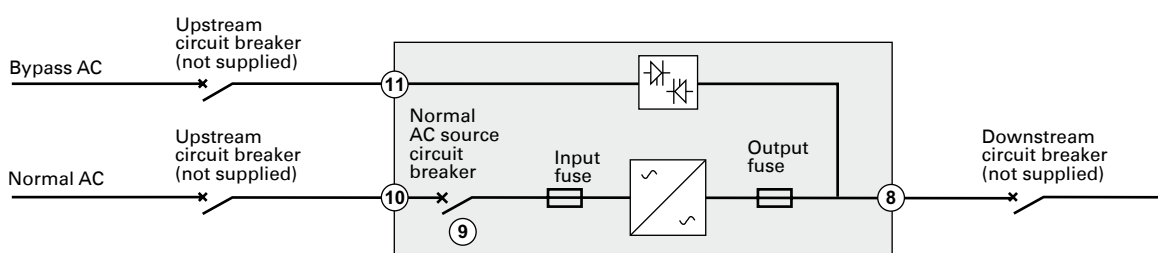
	Mode Industrial mode	I/T network mode
Overload, and Bypass AC source in tolerance.	Same as I/T network mode, but the UPS does not return to normal mode if overload released.	Load is transferred to Bypass AC source. UPS returns to normal mode if overload released.
Overload, and Bypass AC source not in tolerance.	Load is transferred to Bypass AC source with 10 milliseconds output break. The UPS does not return to normal mode if overload released.	The UPS shuts down and load is not transferred to Bypass AC source.
Output short circuit and Bypass AC source in tolerance.	Load is transferred to Bypass AC source, the UPS returns to normal mode if the short circuit is released by downstream circuit breaker action (see section 2.6).	The load remains powered by the UPS. The UPS shuts down after 3 minutes if the short circuit remains.
Output short circuit and Bypass AC source not in tolerance.	The load is transferred to Bypass AC source with 10 milliseconds output break. The UPS does not return to normal mode if the short circuit is released by downstream circuit breaker action (see section 2.6).	The load remains powered by the UPS. The UPS shuts down after 3 minutes if the short circuit remains.

Selection of protection devices

UPS unit with common Normal and Bypass AC inputs



UPS unit with separate Normal and Bypass AC inputs



When sizing the upstream circuit breakers, the parameters presented below must be taken into account:

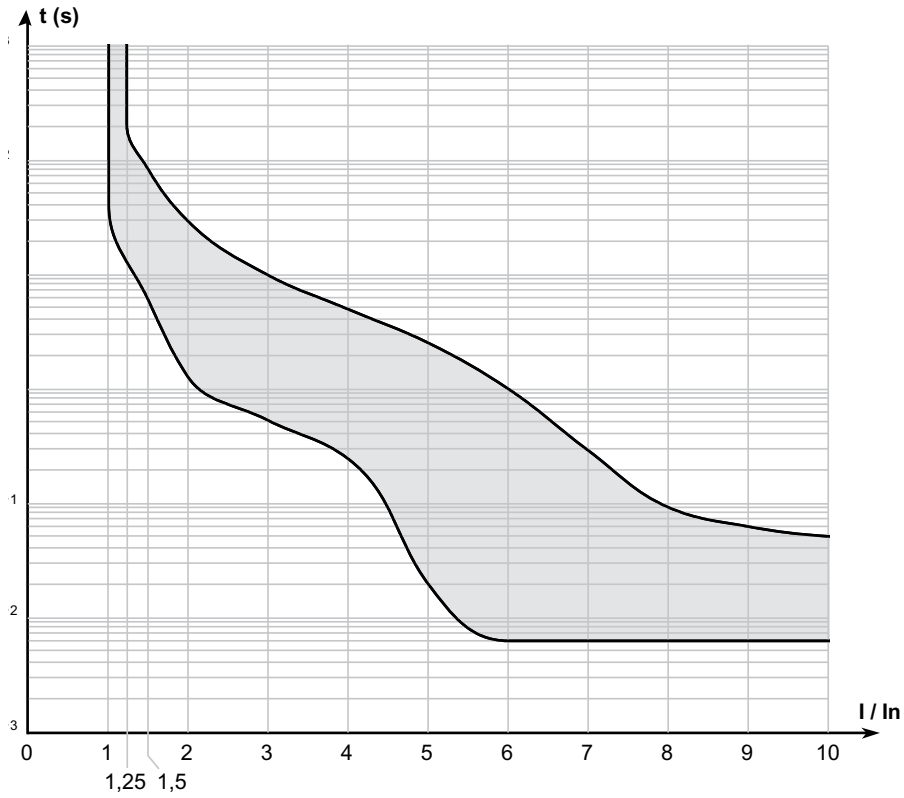
Line current values

UPS power rating	Continuous current at 400/320 Volts and nominal load	Continuous current at 320 Volts and overload = 110 % limited to 2 minutes	Input fuse rating	Output fuse rating
5 kVA	9/10 A	11 A	25 A	80 A
7 kVA	10/11 A	12 A	25 A	80 A
11 kVA	15/19 A	21 A	30 A	100 A

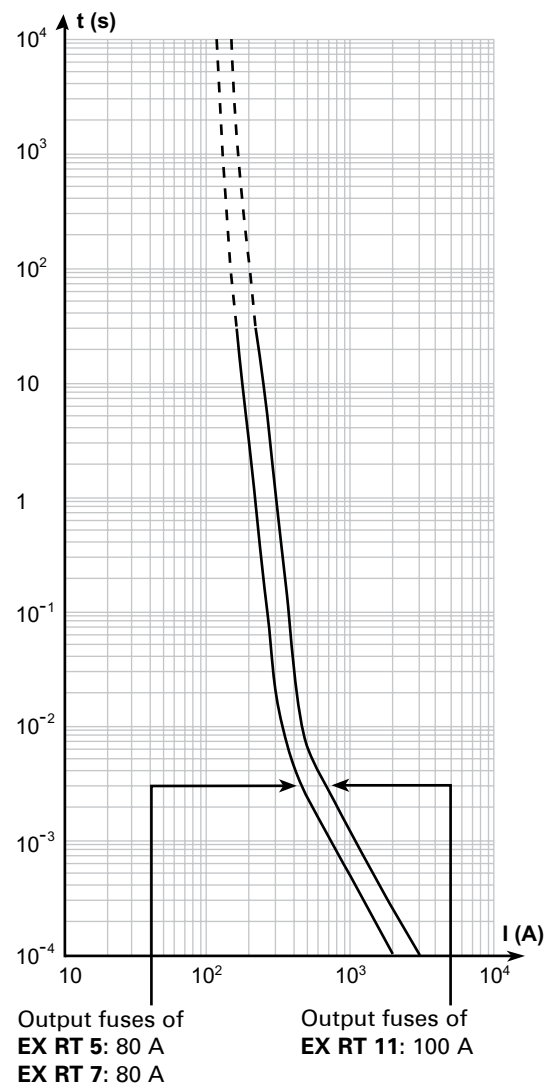
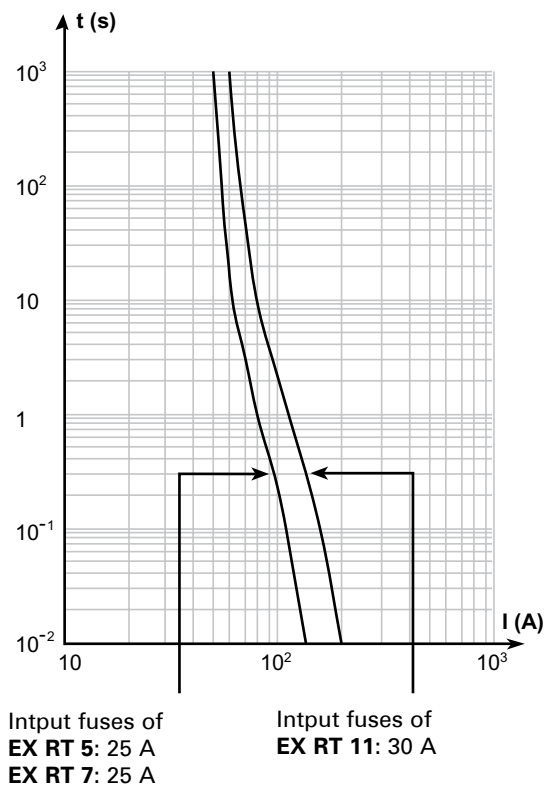
Discrimination of upstream/downstream protections mentioned in paragraph 2.6 is achieved for a 30 m cable length and 10 mm² cross section. Circuit breaker capacity must be selected according to the installation, length and cross section of cables.

5. Appendices

Time/current curves for UPS Normal AC source circuit-breaker



Time/current curves for UPS input and output fuses



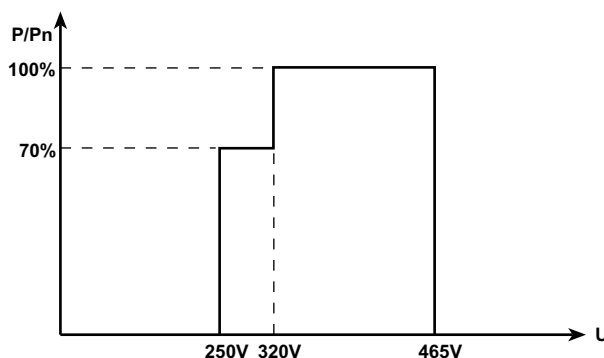
UPS Input / output characteristics

Source	Voltage	Frequency
Normal AC source	320 to 465 Volts AC	40 to 70 Hz
Bypass AC source	187 to 264 Volts AC*	48 to 52 Hz**
Load output	230 Volts AC (200/208/220/240/250 V are possible values)	50/60 Hz autoranging (or frequency converter)

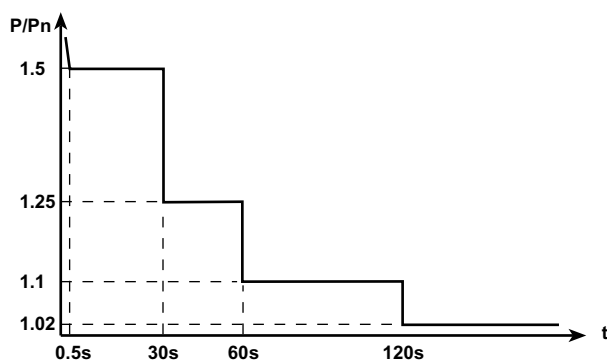
(*): depends on output voltage setting, can be modified by software.

(**): set to +/- 4% by default, (1,2,4,8 are possible values), can be modified by software.

Power supplied as a function of input voltage



Permissible UPS overloads as a function of time



Short-circuit current provided by the UPS in Normal or Batterie mode

- EX RT 5: 110 A for 80 ms.
- EX RT 7: 110 A for 80 ms.
- EX RT 11: 150 A for 80 ms.

EX RT Transformer

Nominal power	11 kVA
Nominal current	63 A
Input voltage	160-280 Volts AC
Voltage drop	7 Volts at nominal load
Frequency	50/60 Hz (+/-10 %)
Isolation (EN 61558-1-2-4)	3.75 kV / 5 M ohms
Operating temperature	From 0° to +40°C
Max. operating rel. humidity	95 %
Derating / altitude	Pn -10 % > 1000 m
Dimensions HxWxD (tower)	444 x 131 x 635 mm
Dimensions HxWxD (rack 3U)	131 x 444 x 635 mm
Weight	86.5 kg

5. Appendices

EX RT CLA module

- AC input voltage: 160-280 Volts AC,
- Input frequency: 40-70 Hz,
- Battery charge current: 6 A DC,
- Recharge time to recover 90% of the rated backup time after discharge at full load:

	Configuration for 2 hours backup time	Configuration for 4 hours backup time	Configuration for 8 hours backup time
EX RT 5	5 hours	12 hours	20 hours
EX RT 7	5 hours	12 hours	20 hours
EX RT 11	7 hours	15 hours	24 hours

Thermal characteristics

- The operating temperature is 0 to 40°C (8 hours at 45°C), however optimum operation is within the +20 to +25°C range.
- Battery backup time is adversely affected by high and low temperatures. It is significantly reduced at temperatures under 10°C. Above 25°C, battery service life is cut in half every 10°C. Above 40°C, battery manufacturers no longer guarantee operation due to the risk of thermal runaway.
- ▶ Air enters through the front and exits through the back.

5.2 Glossary

Backup time	Time that the connected loads can operate on battery power.
Bypass AC source	Source supplying the bypass line. The load can be transferred to the bypass line if an overload occurs on the UPS output, for maintenance or in the event of a malfunction.
ECO mode	Operating mode by which the load is supplied directly by the AC source if it is within the tolerances defined by the user. This mode reduces the consumption of electrical power.
Load	Devices or systems connected to the UPS output.
Manual bypass	Rotary switch controlled by the user, used to connect the loads directly to the AC source. Transfer of the load to the manual bypass enables UPS maintenance without interrupting the supply of power to the connected loads.
Normal (double conversion) mode	The normal UPS operating mode in which the AC source supplies the UPS which in turn supplies the connected loads (after electronic double conversion).
Normal AC source	Normal source of power for the UPS.
Relay contacts	Contacts supplying information to the user in the form of signals.
UPS	Uninterruptible Power Supply.

EX RT 5 3:1
EX RT 7 3:1
EX RT 11 3:1

**Manuel d'installation et
d'utilisation**



EATON

Powering Business Worldwide

Introduction

Nous vous remercions d'avoir choisi un produit EATON pour la sécurité de vos applications.

La gamme **EX RT** a été élaborée avec le plus grand soin.
Pour exploiter au mieux les performances de votre **ASI (Alimentation Sans Interruption)**, nous vous conseillons de prendre le temps de lire ce manuel.

Attention : **EX RT** est un produit de classe A. Dans un environnement domestique, il peut causer des interférences radio. Dans ce cas, l'utilisateur pourra prendre des mesures complémentaires.
Si l'appareil doit être installé dans des environnements de surtension III ou IV, une protection supplémentaire contre les surtensions doit être prévue en amont de celui-ci.

Nous vous invitons à découvrir l'offre de EATON ainsi que les options de la gamme **EX RT** en visitant notre site WEB : www.eaton.com, ou en contactant votre représentant EATON.

Respect de l'environnement

EATON se préoccupe de l'impact de ses produits sur l'environnement en suivant une démarche d'éco-conception pendant le cycle de vie de **EX RT**: conception, utilisation et recyclage.

Utilisation de ce document

Les informations peuvent être recherchées par :

- le sommaire,
- l'index.

Pictogrammes utilisés



Consignes à suivre impérativement.



Informations, conseils, aide.



Indication visuelle à observer.



Action à réaliser.



Signalisation sonore.

Les conventions adoptées pour représenter les voyants dans les illustrations sont les suivantes :



Voyant éteint.



Voyant allumé.



Voyant clignotant.

1. Présentation

1.1	Positions standards	5
	Position tour	5
	Position rack	5
1.2	Faces arrières	6
	Module de puissance EX RT 5/7/ 11	6
	Module batterie EX RT EXB 7/ 11	6
1.3	Panneau d'affichage et de commande	7
1.4	Options	7
	Kits de montage en rack	7
	Transformateur d'isolement galvanique ou d'adaptation aux schémas de liaison à la terre	8
	Extensions batterie pour autonomies batterie de 60 minutes max	9
	Module CLA (Chargeur Longue Autonomie) pour autonomies de 2 à 8 heures	9
	Système d'assemblage des modules sur chariot	10
	Module batterie équipé d'arrêt d'urgence (REPO)	10
	Câble pour module batterie éloigné (1,8 m)	10

2. Installation

2.1	Déballage et vérification du contenu	11
	Module de puissance	11
	Module batterie	11
2.2	Installation en position tour	12
2.3	Installation en position rack	13
	Modification de l'orientation du logo et du panneau de commande	13
	Montage en rack du module batterie (rails optionnels requis).....	13
	Montage en rack des modules batterie et puissance (rails optionnels requis).....	14
2.4	Ports de communication	16
	Raccordement du port de communication RS232	16
	Caractéristiques du port de communication par relais.....	16
	Arrêt d'urgence	17
	Raccordement de l'arrêt d'urgence	17
	Installation des cartes de communication (en option, standard dans la version Network pack)	17
2.5	Choix d'installation selon le Schéma de Liaison à la Terre (SLT)	18
	ASI avec réseaux d'entrée AC Normal et AC Bypass communs.....	18
	ASI avec réseaux d'entrée AC Normal et AC Bypass séparés	18
	ASI avec réseaux d'entrée AC Normal et AC Bypass séparés provenant de sources différentes	19
	Convertisseur de fréquence (sans réseau d'entrée Bypass)	19
	Redondance secours.....	19
2.6	Organes de protection et sections de câbles recommandés	20
	Protection amont recommandée	20
	Protection aval recommandée	20
	Sections de câbles recommandées	20
2.7	Raccordement des câbles de puissance d'entrée et sortie	21
	Raccordement d'une ASI avec réseaux d'entrée AC Normal et AC Bypass communs	21
	Raccordement d'une ASI avec réseaux d'entrée AC Normal et AC Bypass séparés	22
	Raccordement du convertisseur de fréquence.....	23
	Raccordement des câbles batterie	24
	Raccordement du transformateur d'isolement galvanique	24
	Raccordement du module Chargeur Longue Autonomie (CLA)	25

Sommaire

3. Utilisation

3.1	Mise en service initiale	26
	Personnalisation de l'ASI	26
	Personnalisation par le panneau de commande	26
	Personnalisation par logiciel externe.....	27
3.2	Séquence de démarrage de l'ASI	27
3.3	Modes de fonctionnement	28
	Mode normal (double conversion)	28
	Mode Eco	28
3.4	Fonctionnement sur batterie	29
	Passage sur batterie.....	29
	Seuil de préalarme de fin d'autonomie	29
	Fin d'autonomie batterie	29
3.5	Retour du réseau AC Normal	29
3.6	Arrêt de l'ASI	30

4. Maintenance

4.1	Anomalies	31
4.2	Remplacement du module de puissance	32
	Déconnexion du module de puissance	32
	Reconnexion du module de puissance	33
4.3	Remplacement du module batterie	33
	Déconnexion du module batterie.....	33
	Reconnexion du module batterie	33
4.4	Centre de formation	34

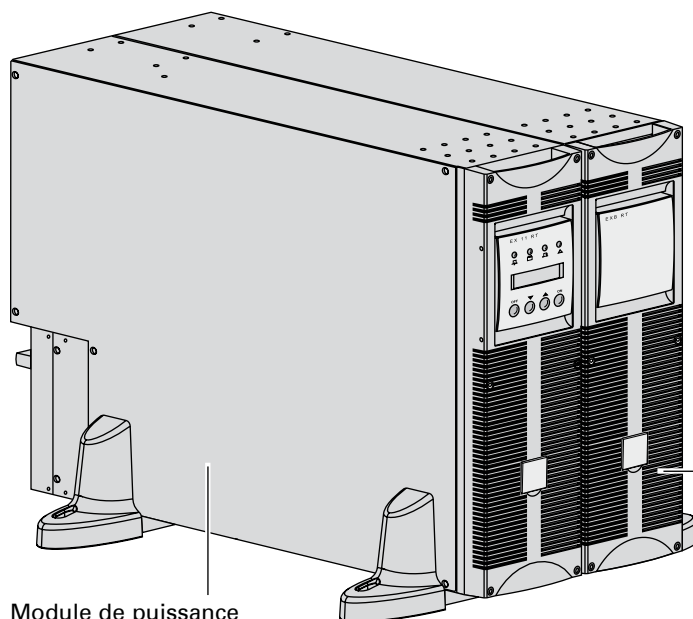
5. Annexes

5.1	Caractéristiques techniques	35
	Caractéristiques électriques	35
	Caractéristiques thermiques	38
5.2	Glossaire	38

1. Présentation

1.1 Positions standards

Position tour



Module de puissance
(EX RT 5/7/11)

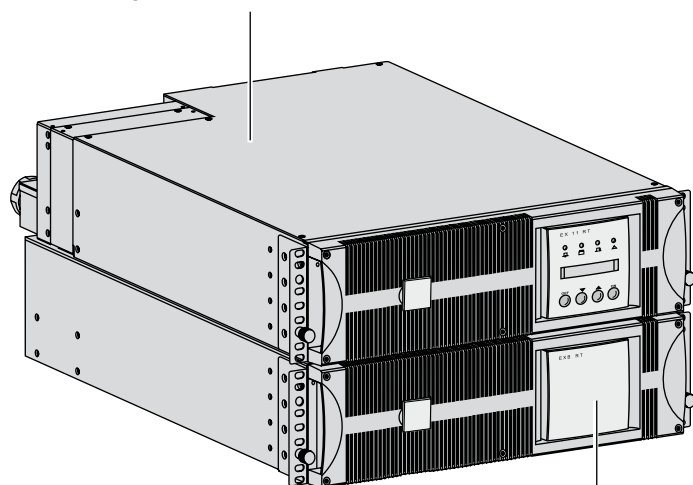
	Dimensions en mm (H x L x P)
EX RT 5 EX RT 7 EX RT 11 EX RT EXB 7 EX RT EXB 11	444 x 131 x 635

	Masse en kg
EX RT 5 EX RT 7	22,5
EX RT 11	27,5
EX RT EXB 7	64,5
EX RT EXB 11	68,5

Module batterie
(EX RT EXB 7/11)

Position rack

Module de puissance (EX RT 5/7/11)



	Dimensions en mm (H x L x P)
EX RT 5 EX RT 7 EX RT 11 EX RT EXB 7 EX RT EXB 11	131 (3U) x 444 x 635

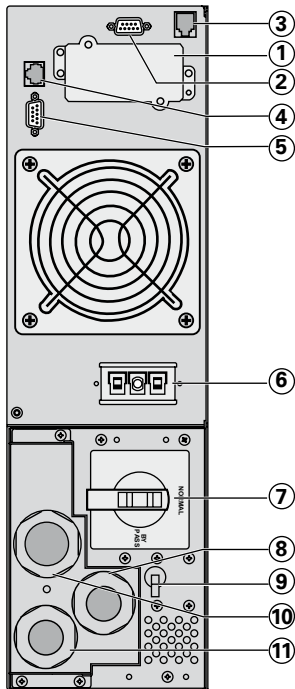
	Masse en kg
EX RT 5 EX RT 7	22,5
EX RT 11	27,5
EX RT EXB 7	64,5
EX RT EXB 11	68,5

Module batterie
(EX RT EXB 7/11)

1. Présentation

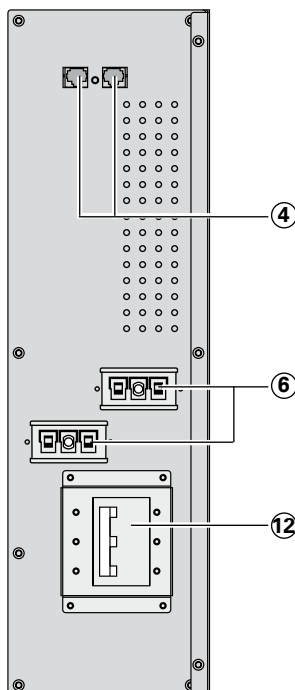
1.2 Faces arrières

Module de puissance EX RT 5/7/11



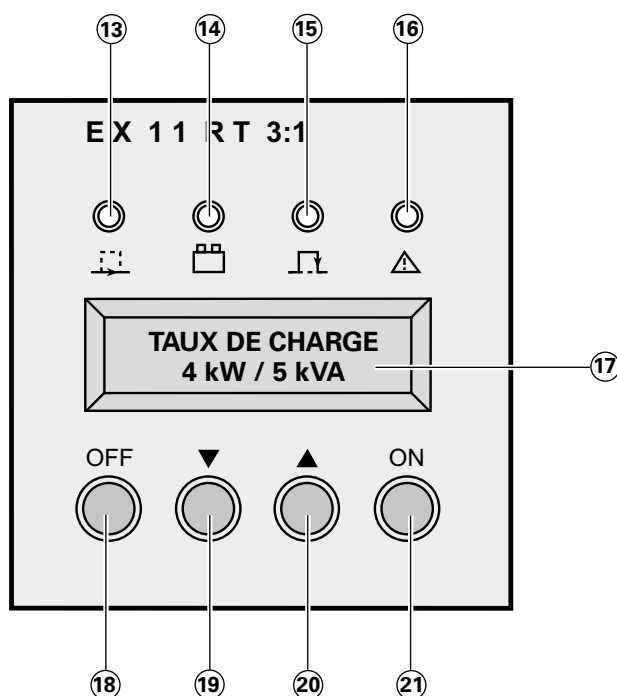
- ① Emplacement pour carte de communication.
- ② Port de communication par relais.
- ③ Port d'arrêt d'urgence distant (REPO).
- ④ Raccordement de la détection automatique de module(s) batterie.
- ⑤ Port de communication RS232.
- ⑥ Raccordement des câbles de puissance entre modules batterie et avec l'ASI.
- ⑦ Commutateur manuel de Bypass.
- ⑧ Bornier de sortie pour les applications raccordées.
- ⑨ Disjoncteur du réseau d'entrée AC Normal.
- ⑩ Bornier du réseau d'entrée AC Normal.
- ⑪ Bornier du réseau d'entrée AC Bypass.

Module batterie EX RT EXB 7/11



- ④ Raccordement de la détection automatique de module(s) batterie.
- ⑥ Raccordement des câbles de puissance entre modules batterie et avec l'ASI.
- ⑫ Disjoncteur de protection de la batterie.

1.3 Panneau d'affichage et de commande

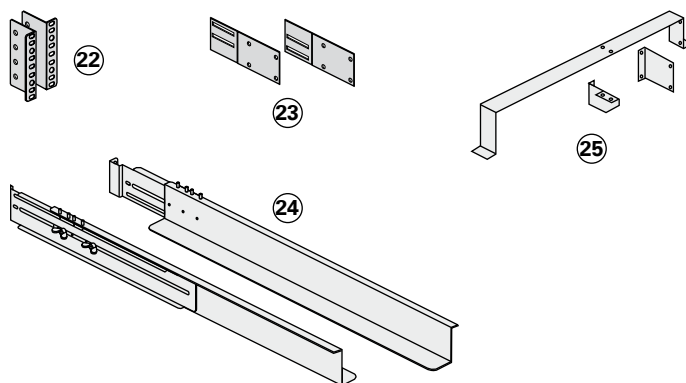


- ⑬ Voyant applications protégées.
- ⑭ Voyant de fonctionnement sur batterie.
- ⑮ Voyant de fonctionnement en Bypass.
- ⑯ Voyant de défaut.
- ⑰ Affichage alphanumérique.
- ⑱ Bouton d'arrêt de l'ASI.
- ⑲ ⑳ Boutons de fonctions (défilement haut et bas).
- ㉑ Bouton de mise en marche de l'ASI (ou touche de fonction de l'afficheur en mode de personnalisation).

1.4 Options

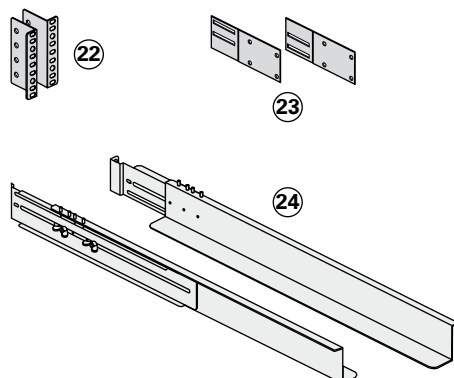
Kits de montage en rack

Rails télescopiques et accessoires pour le montage du module de puissance en rack de 19"
(Référence 68001)



- ㉒ Equerres de fixation frontales du module sur les montants latéraux de la baie.
- ㉓ Système de fixation arrière pour le transport dans la baie.
- ㉔ Rails télescopiques de 639 à 1005 mm de longueur supportant le module.
- ㉕ Système de fixation du boîtier d'entrées/sortie.

Rails télescopiques et accessoires pour le montage du module batterie en rack de 19"
(Référence 68002)

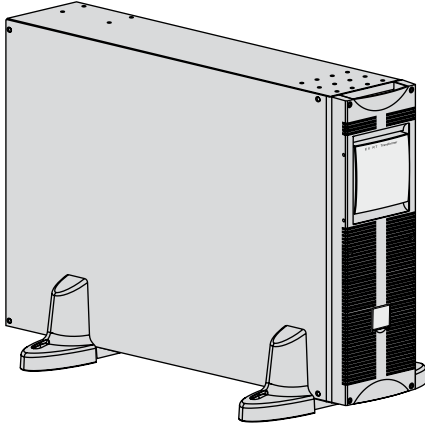


- ㉒ Equerres de fixation frontales du module sur les montants latéraux de la baie.
- ㉓ Système de fixation arrière pour le transport dans la baie.
- ㉔ Rails télescopiques de 639 à 1005 mm de longueur supportant le module.

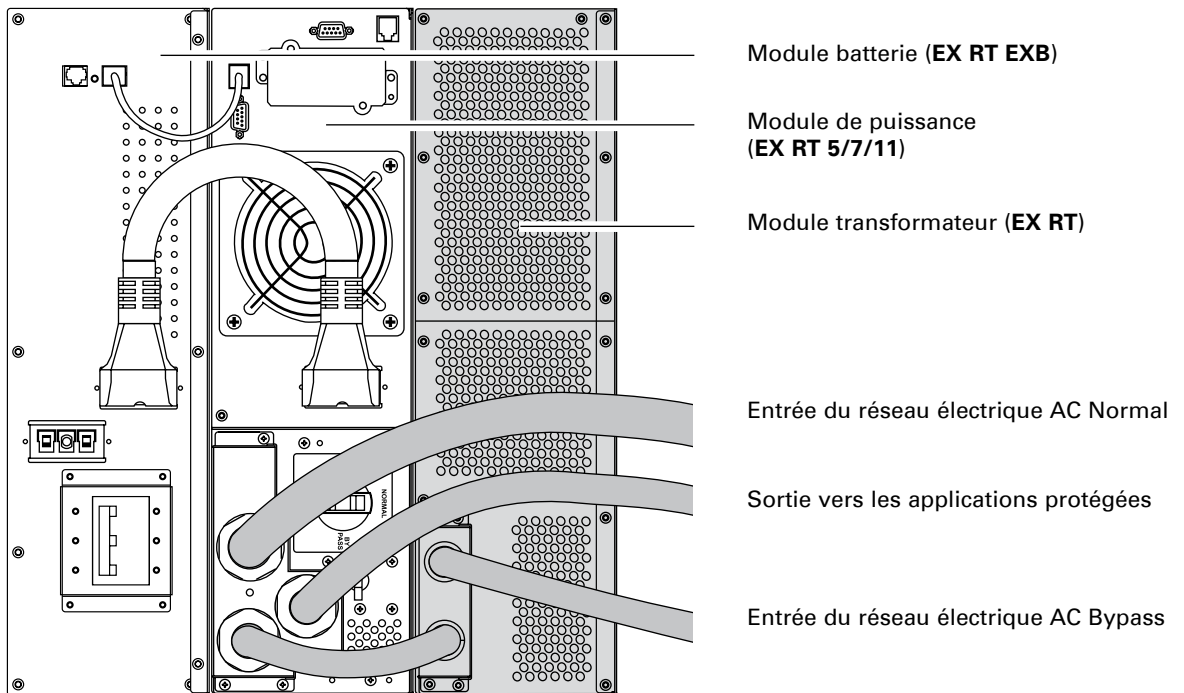
1. Présentation

Transformateur d'isolement galvanique ou d'adaptation aux schémas de liaison à la terre (Référence 68003)

Ce module est nécessaire soit pour obtenir un régime de neutre aval de l'ASI différent du régime de neutre amont, soit pour accroître la disponibilité de l'alimentation électrique avec un réseau séparé.



Exemple d'un transformateur EX RT placé en amont de EX RT pour isolation galvanique



1. Présentation

Extensions batterie pour autonomies batterie de 60 minutes max. (à pleine puissance)

EX RT offre une autonomie standard de 5/9 minutes à puissance nominale.

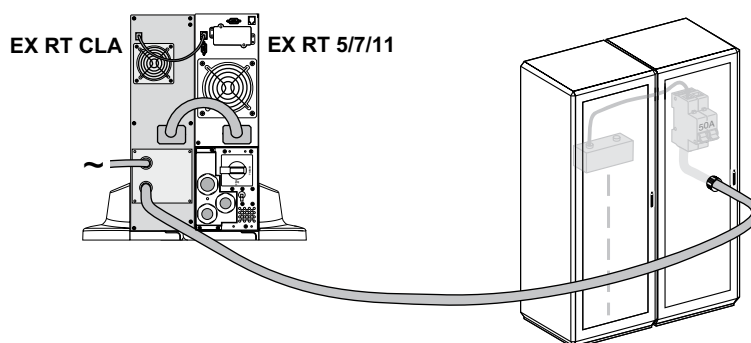
Pour augmenter l'autonomie, il est possible de raccorder des modules EX RT EXB 7/11 supplémentaires.

Extensions batterie pour EX RT 5, EX RT 7 ou EX RT 11

	EX RT 5/7 + EX RT EXB 7 RT EX RT 11 + EX RTEXTB 11	+	EX RT EXB 7 EX RT EXB 11	+	EX RT EXB 7 EX RT EXB 11	+	EX RT EXB 7 EX RT EXB 11	+	EX RT EXB 7 EX RT EXB 11	+	EX RT EXB 7 EX RT EXB 11
5 kVA:	9 min		26 min		42 min		60 min		72 min		87 min
7 kVA:	7 min		20 min		32 min		45 min		57 min		70 min
11 kVA:	5 min		14 min		22 min		30 min		42 min		53 min

Module CLA (Chargeur Longue Autonomie) pour autonomies de 2 à 8 heures (Réf. 68004)

Les très longues autonomies batterie, de 2 à 8 heures à puissance nominale, nécessitent un module EX RT CLA.



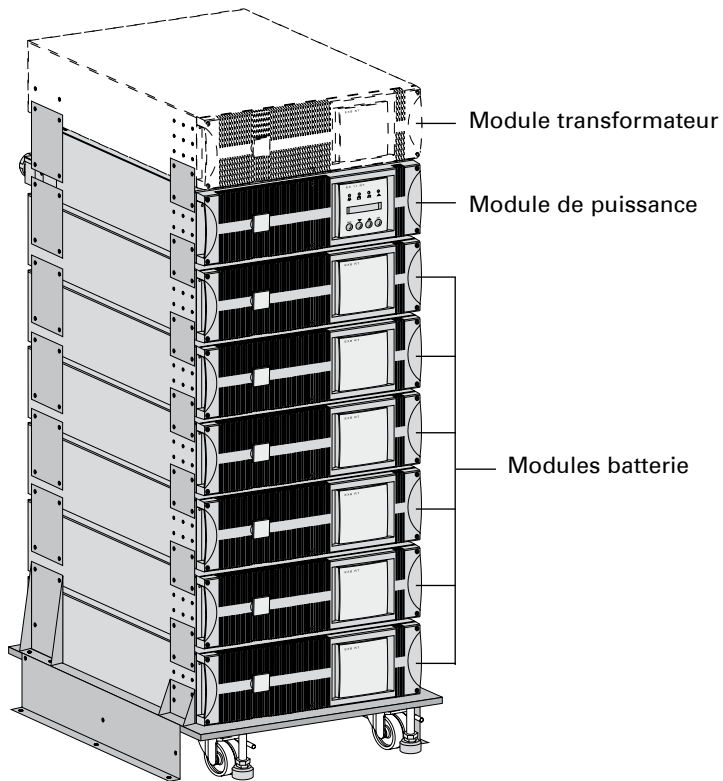
Autonomie batterie	Batteries préconisées pour :		
	EX RT 5	EX RT 7	EX RT 11
2 heures	50 Ah	65 Ah	100 Ah
4 heures	100 Ah	130 Ah	200 Ah
8 heures	200 Ah	260 Ah	400 Ah

Tension totale de la batterie : 240 V CC (20 x 12V CC).

La capacité de la batterie devra être personnalisée dans l'ASI (réglage possible par pas de 5 Ah : voir paragraphe "Personnalisation de l'ASI").

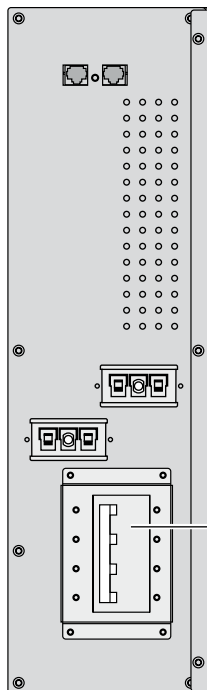
1. Présentation

Système d'assemblage des modules batterie sur chariot (Référence 68005)



Ce système permet d'assembler, dans le cas d'ASI à forte autonomie batterie, jusqu'à 8 modules empilés sur un même chariot (roulettes à rotules et freins, pieds de mise à niveau, plaques latérales anti-sismique, plaquettes d'assemblage intermodules et visserie inclus).

Module batterie équipé d'un arrêt d'urgence (REPO)



Référence :
EX RT EXB 7 EPO : 68079
EX RT EXB 11 EPO : 68119

⑫ Disjoncteur batterie avec déclencheur d'arrêt d'urgence distant

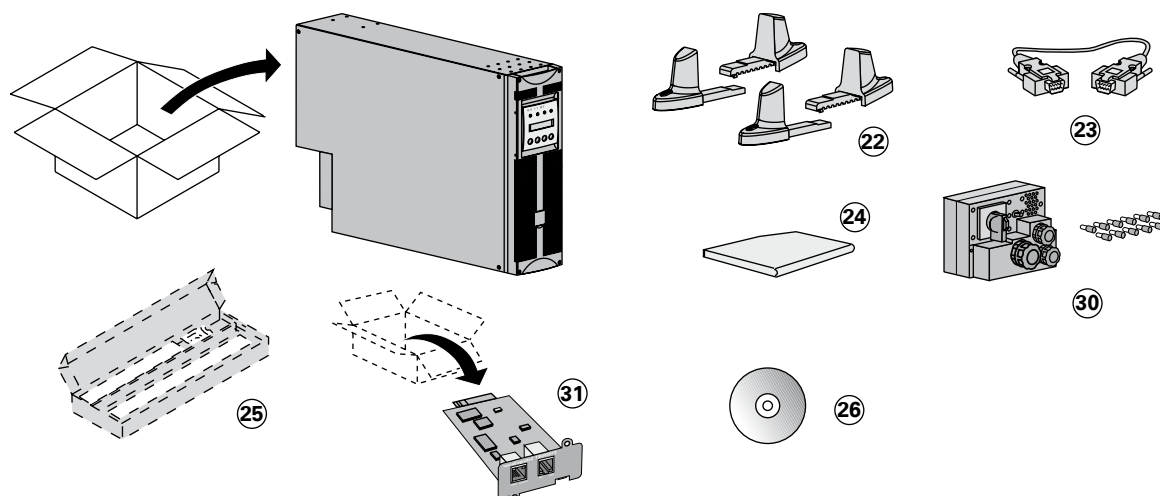
Câble pour module batterie éloigné (1,8 m, référence 68006)

Ce câble de longueur supérieure sera utilisé à la place du câble batterie quand les modules batteries sont éloignés les uns des autres (placés dans deux baies différentes par exemple).

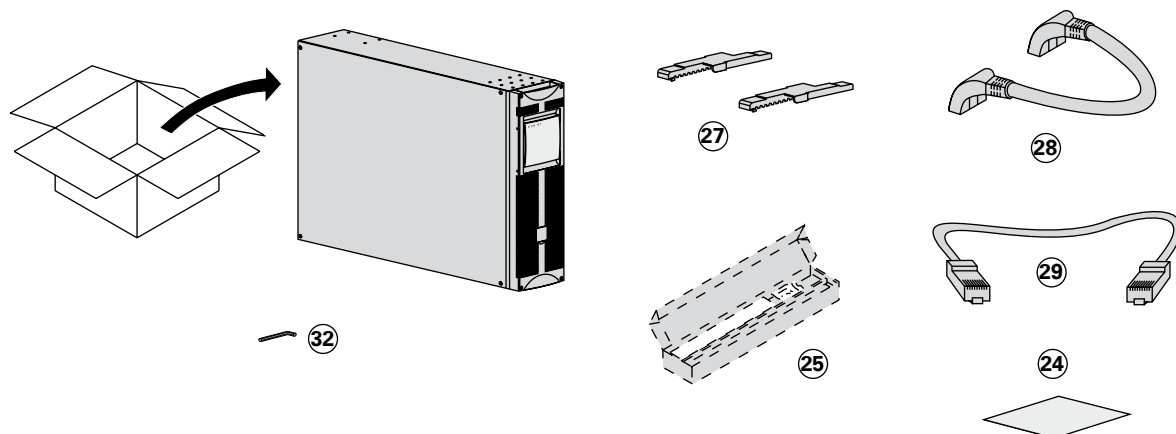
2. Installation

2.1 Déballage et vérification du contenu

Module de puissance



Module batterie



- ②② Pieds de maintien.
- ②③ Câble de communication RS232.
- ②④ Manuels d'installation et d'utilisation.
- ②⑤ Rails télescopiques pour montage en rack dans une baie de 19" (en option, ou en standard dans la version **Network Pack**).
- ②⑥ CD-ROM **Solution-Pac**.
- ②⑦ Allonges pour pieds de maintien.
- ②⑧ Câble batterie.
- ②⑨ Cordon de détection batterie.
- ③⑩ Boîtier amovible d'entrées/sortie avec 11 embouts de câblage.
- ③① Carte réseau (en option, ou en standard dans la version **Network Pack**).
- ③② Clé BTR.



Les emballages doivent être éliminés conformément aux réglementations en vigueur concernant les déchets. Ils portent des symboles de recyclage pour faciliter le tri.



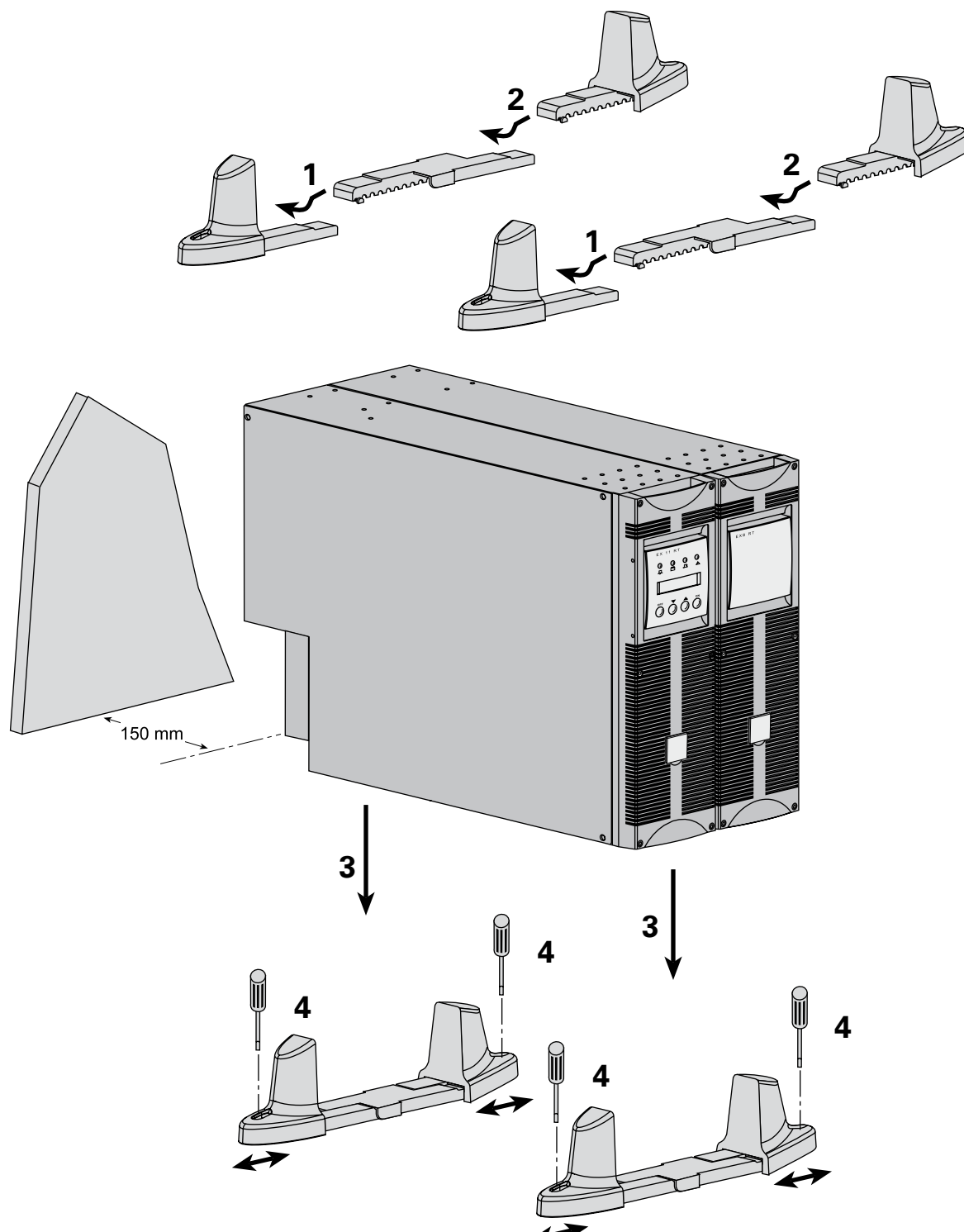
Il y a présence de tension dangereuse à l'intérieur du module de puissance et du module batterie. Toute intervention sur ces modules doit être effectuée par un personnel qualifié.

2. Installation

2.2 Installation en position tour



Utiliser le gabarit de montage des pieds de maintien livré avec le module batterie.



Suivre les étapes 1 à 4 pour ajuster les pieds de maintien en position verticale.

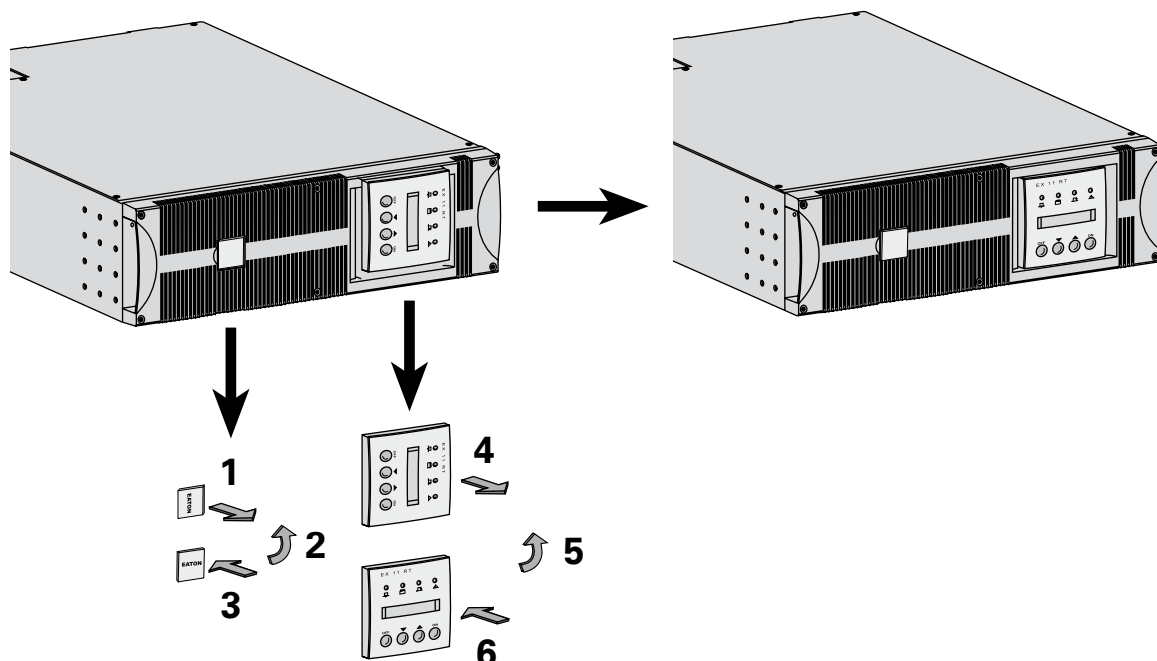


Veiller à toujours conserver un espace libre de 150 mm à l'arrière de l'ASI.
L'écartement entre les deux paires de pieds de maintien doit être de 450 mm.

2.3 Installation en position rack

Il est recommandé de monter le module batterie en premier, puis de monter le module de puissance au-dessus.

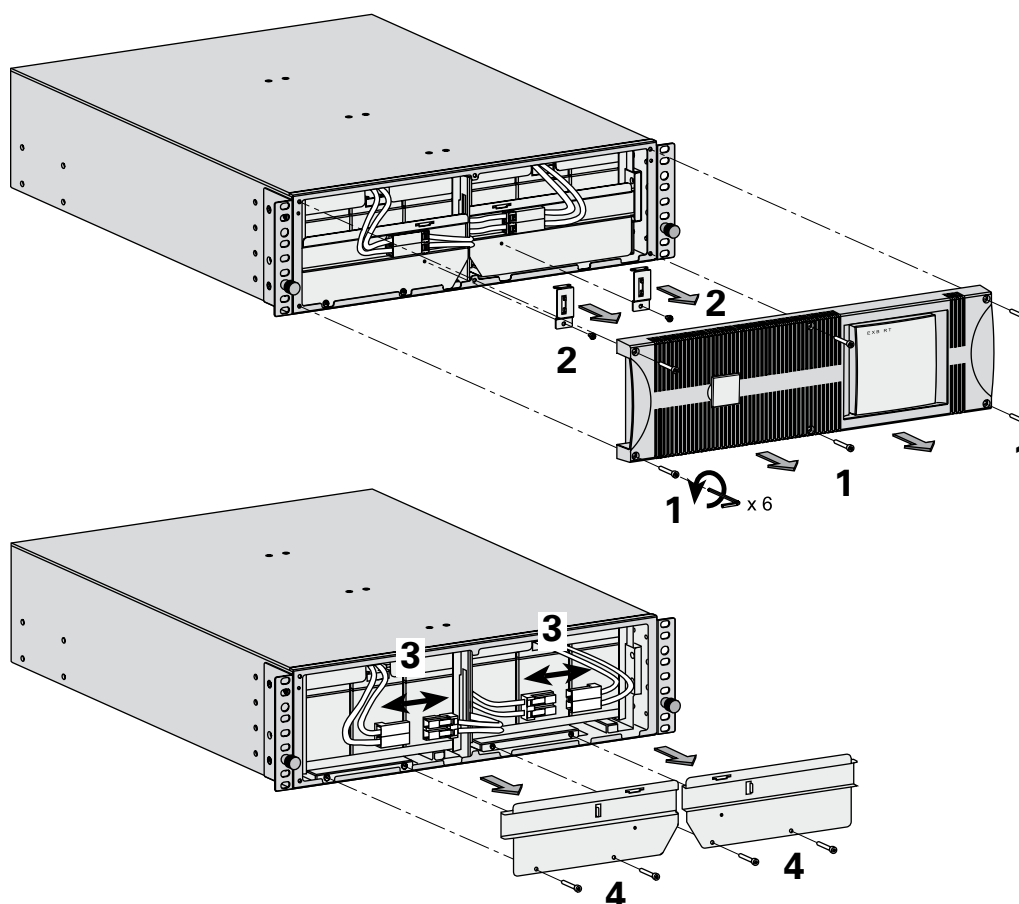
Modification de l'orientation du logo et du panneau de commande



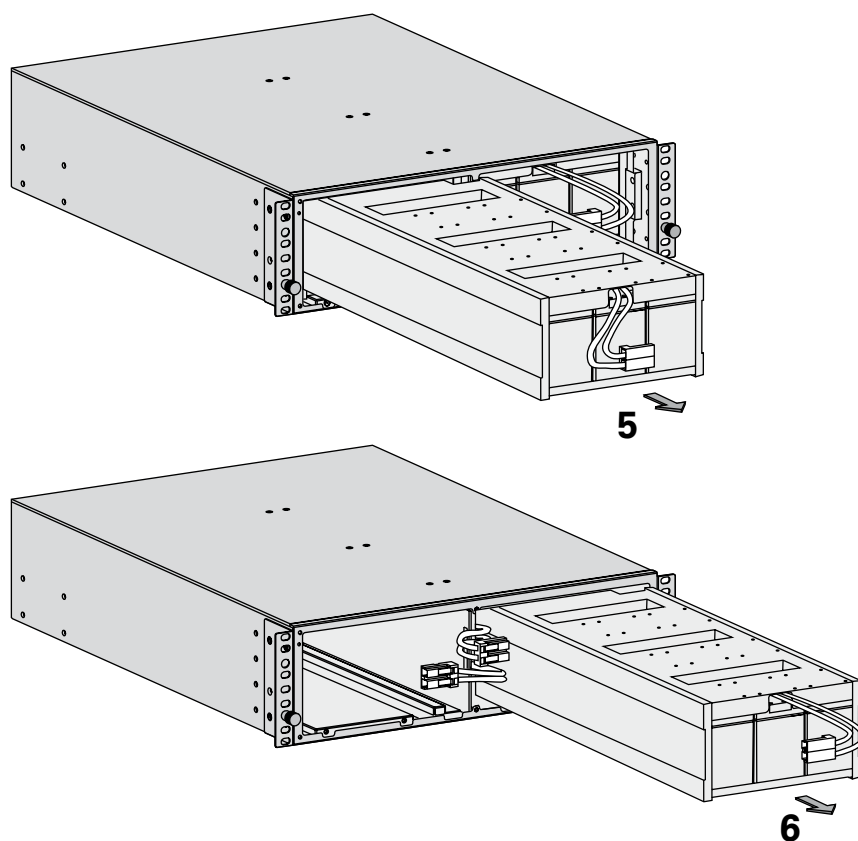
Montage en rack du module batterie (rails optionnels requis, référence 68006)



Le module batterie est très lourd. Pour une manipulation plus aisée lors du montage, il est recommandé d'extraire les éléments batterie du module comme indiqué ci-après :



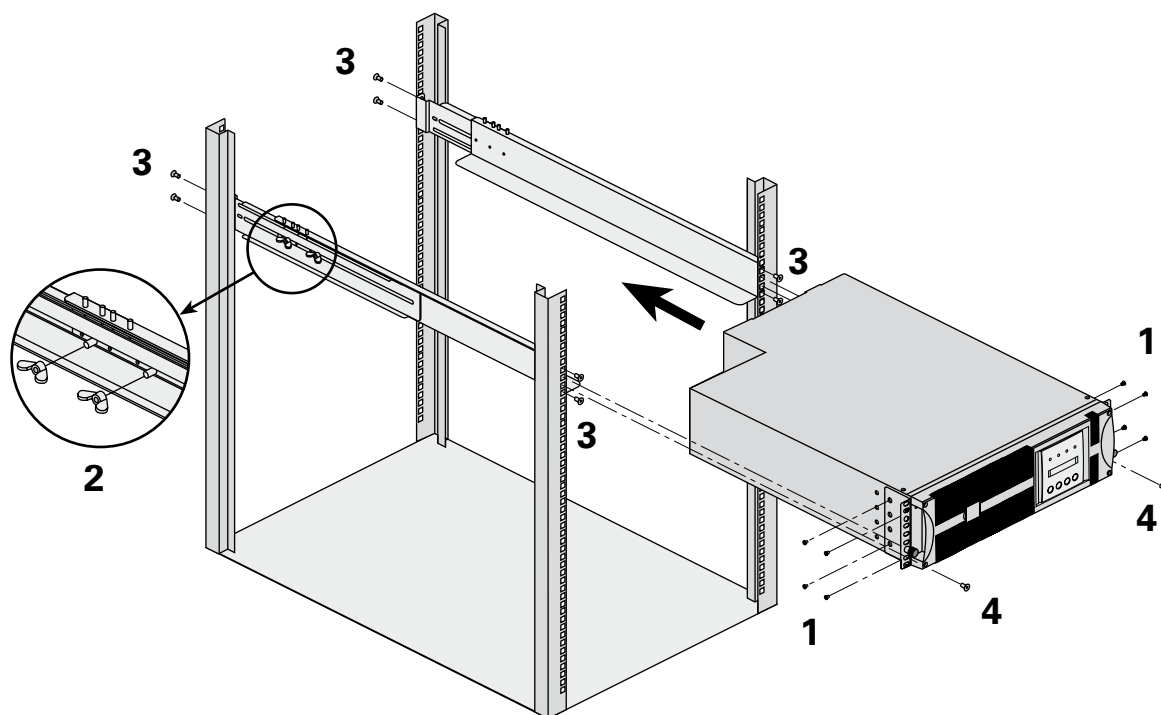
2. Installation



Montage en rack du module de puissance ou batterie (rails optionnels requis, référence 68001)



Suivre les étapes 1 à 4 pour le montage du module sur ses rails.



Les rails et le nécessaire de montage sont fournis par EATON.

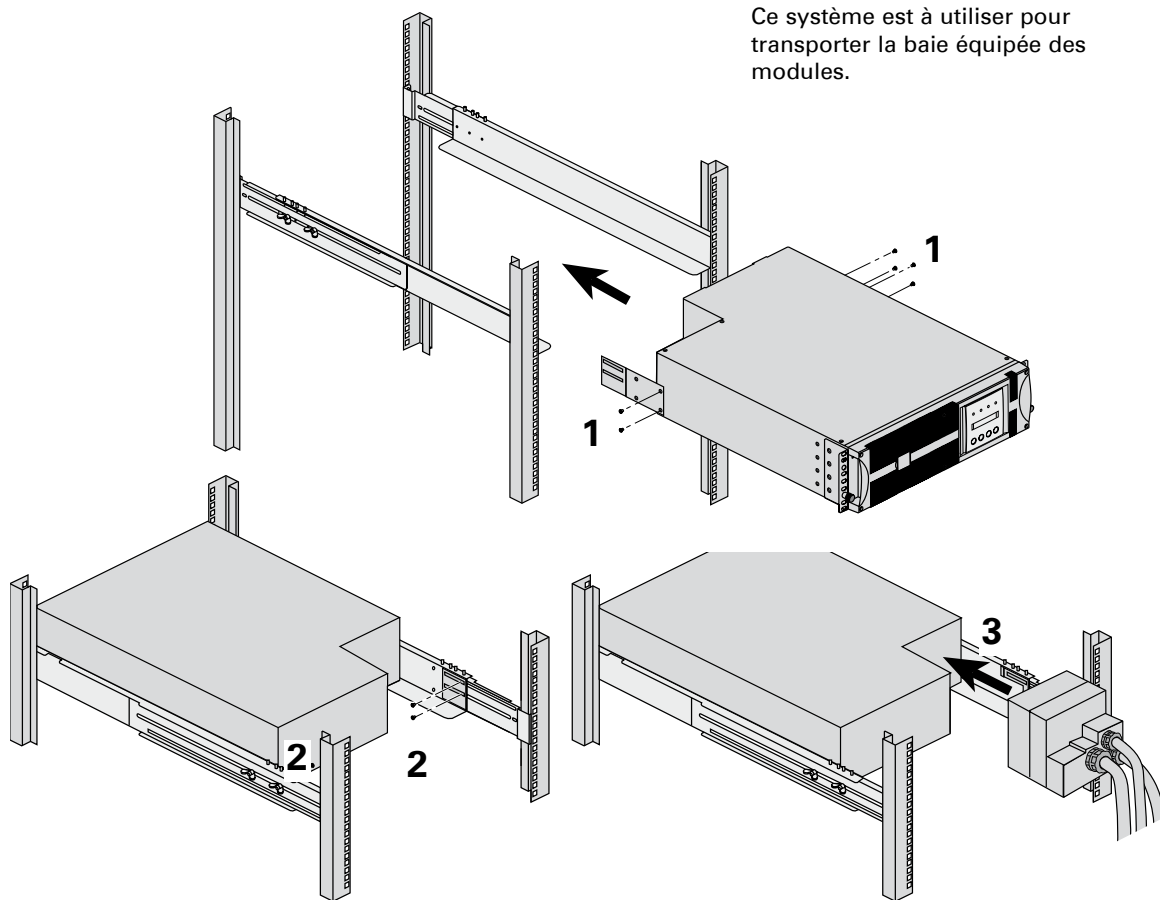
Note pour l'étape 1 : il est possible d'ajuster la position des équerres de fixation frontales.

2. Installation

Système de fixation arrière (inclu avec le kit rails, références 68001 et 68002)



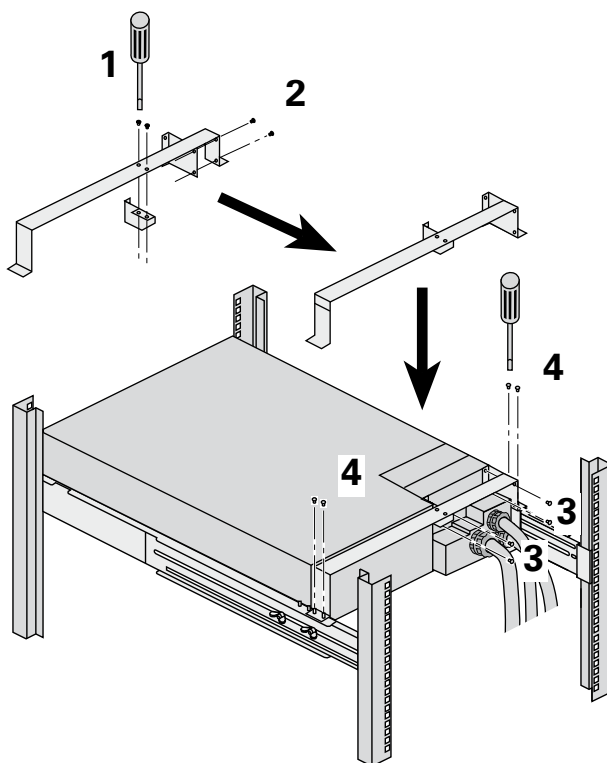
Ce système est à utiliser pour transporter la baie équipée des modules.



Système de fixation du boîtier d'entrées/sortie amovible (inclu avec le kit rails du module de puissance, référence 68001)



Ce système de fixation permet de maintenir le boîtier d'entrées/sortie du module à l'arrière du rack lors de l'extraction du module sans interrompre l'alimentation des applications raccordées. Il sera ainsi plus aisé de raccorder le module de remplacement dans les connecteurs du boîtier d'entrées/sortie.



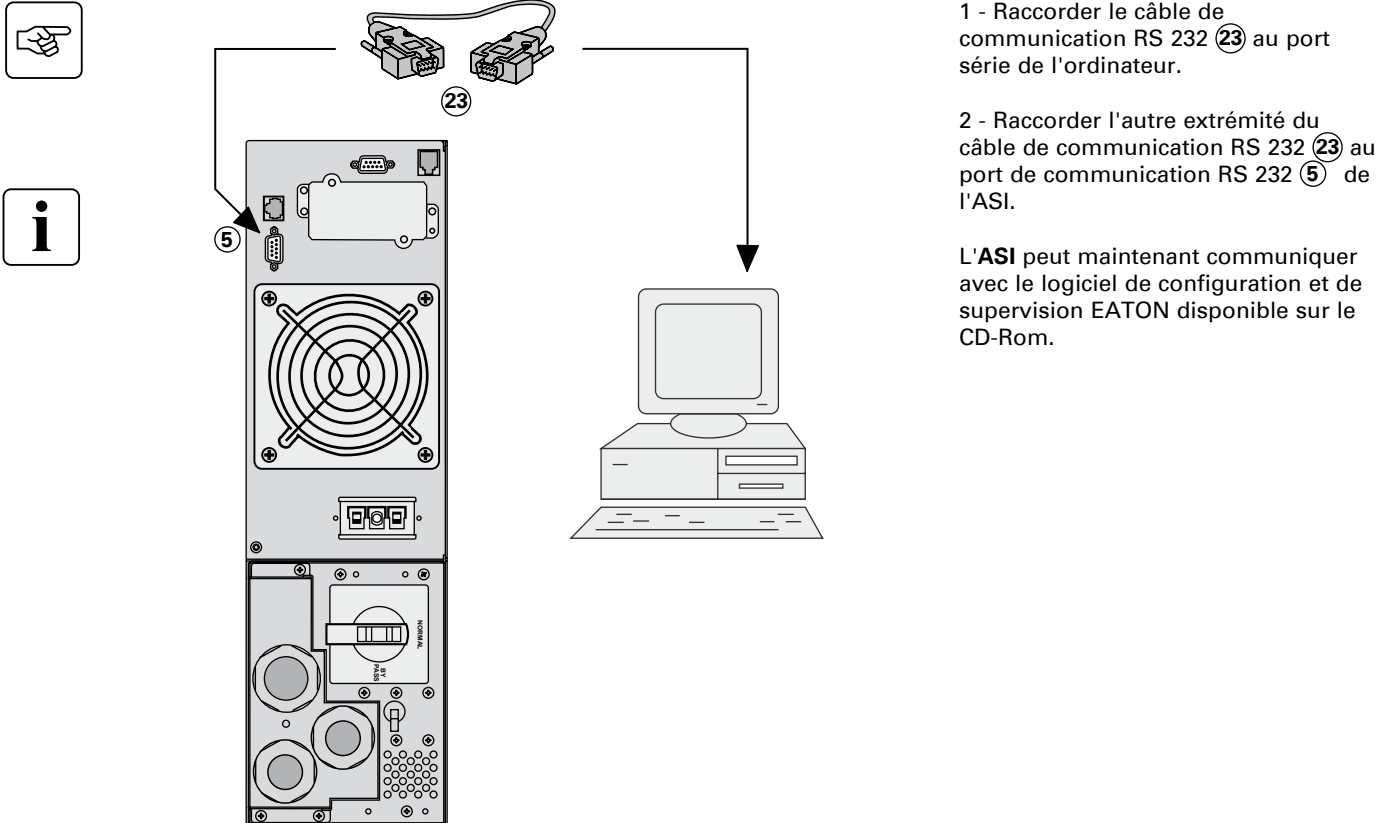
2. Installation

2.4 Ports de communication

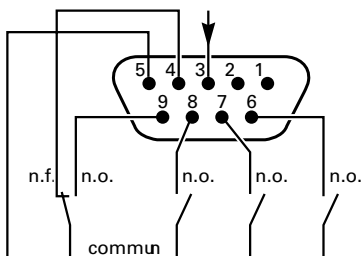
EX RT fournit trois modes de communication qui peuvent être utilisés simultanément :

- Le port COM (5) fournit une liaison RS232 utilisant le protocole SHUT de EATON compatible avec les logiciels de supervision et de protection inclus dans le CD-Rom **Solution Pac**.
- Le port de communication par relais (2) est utilisé pour des signalisations basiques ou pour la protection de systèmes IT comme IBM iSeries (principalement AS400) ou autres.
- L'emplacement (1) pour cartes de communication peut recevoir tous types de cartes EATON (voir le site Web www.eaton.com pour connaître la liste complète des cartes compatibles).

Raccordement du port de communication RS232



Caractéristiques du port de communication par relais (2)



- Broches 1, 2 : non utilisées,
- Broche 3 : ordre d'arrêt à distance (5 à 27 V CC, 10 mA max.)
- Broche 4 : fonctionnement sur réseau (non sur batterie),
- Broche 5 : commun utilisateur,
- Broche 6 : fonctionnement sur Bypass automatique,
- Broche 7 : préalarme de fin d'autonomie batterie,
- Broche 8 : applications utilisateur protégées,
- Broche 9 : fonctionnement sur batterie.
- n.o. : contact normalement ouvert.
- n.f. : contact normalement fermé.

Quand une information est active, le contact est fermé entre la broche commune 5 et la broche de l'information correspondante.

Caractéristiques des relais de sortie

- Tension : 48 V CC max,
- Courant : 2 A max,
- Puissance : 62,5 VA / 30 W.

Exemple : pour une tension de 48 V CC, le courant maximal est de 625 mA.

2. Installation

Arrêt d'urgence

L'installation d'un arrêt d'urgence doit être réalisée conformément aux normes en vigueur.

Afin d'obtenir une mise hors tension totale de l'installation et de **EX RT** par l'action d'un arrêt d'urgence, il est nécessaire :

- d'utiliser un bouton à accrochage (le contact NO ou NF doit être maintenu plus d'une seconde pour prise en compte),
- d'utiliser le(s) module(s) batterie **EX RT EXB EPO**.
- de connecter au bouton à accrochage un dispositif unique permettant l'ouverture du(des) disjoncteurs placé(s) en **amont**⁽¹⁾ AC NORMAL et AC BY PASS ainsi qu'en **aval**⁽²⁾ de **EX RT** par l'adjonction de déclencheurs à émission de type MX.

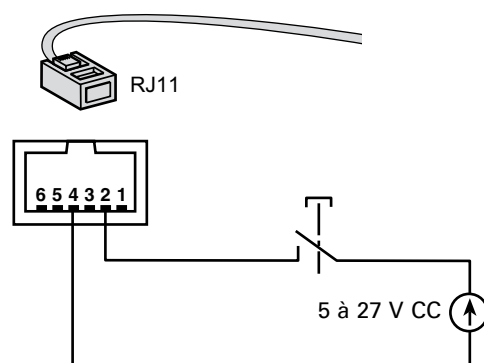
(1) Sinon la tension réapparaît par le AC BY PASS si le contact d'arrêt d'urgence est relâché.

(2) Sinon la tension reste présente en sortie quelques secondes après le déclenchement de l'arrêt d'urgence).

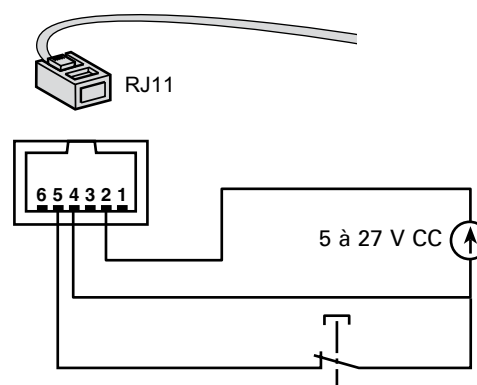
Raccordement de l'arrêt d'urgence ③

Utilisé conjointement avec le module batterie EPO, ce port permet un isolement total de toutes les sources raccordées sur l'ASI lors d'un arrêt d'urgence (le cordon de raccordement n'est pas fourni).

Contact d'arrêt d'urgence normalement ouvert



Contact d'arrêt d'urgence normalement fermé

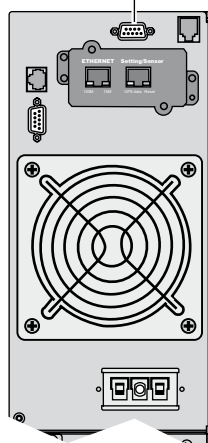


- Signal à fournir :
 - Tension d'alimentation : 5 à 27 V CC.
 - Courant : 10 mA max.

Installation des cartes de communication (en option, standard dans la version **Network Pack**)



① Carte de communication.



Il n'est pas nécessaire d'arrêter l'ASI pour installer la carte de communication :

1 - Démontez le couvercle fixé par deux vis.

2 - Insérez la carte de communication ① dans son emplacement.

3 - Fixez la carte sur la face arrière de l'ASI avec deux vis. Suivez les étapes 1 à 4 pour ajuster les pieds de maintien en position verticale.



Veillez à toujours conserver un espace libre de 150 mm à l'arrière de l'ASI.

L'écartement entre les deux paires de pieds de maintien doit être de 450 mm.

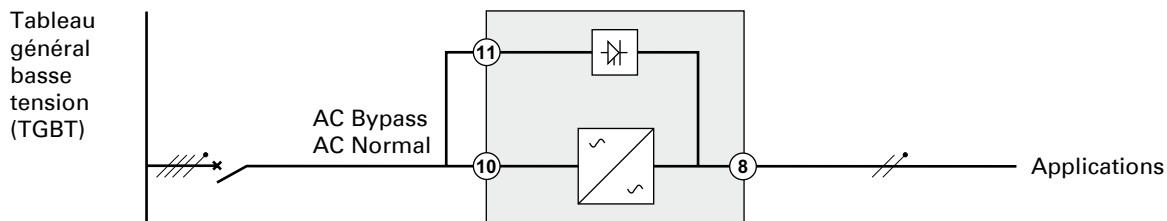
2. Installation

2.5 Choix d'installation selon le Schéma de Liaison à la Terre (SLT)

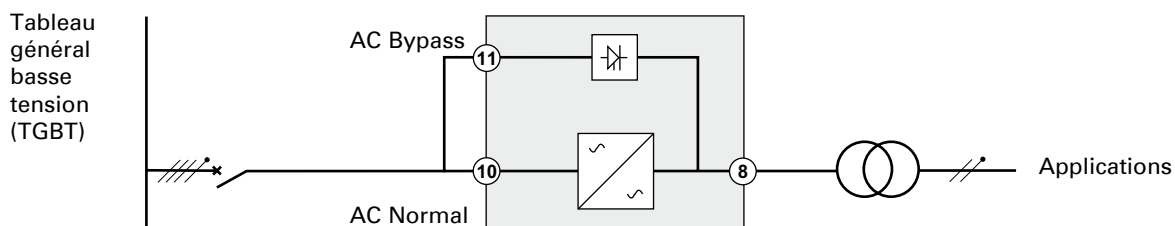


EX RT doit être alimenté par un réseau électrique triphasé avec neutre.

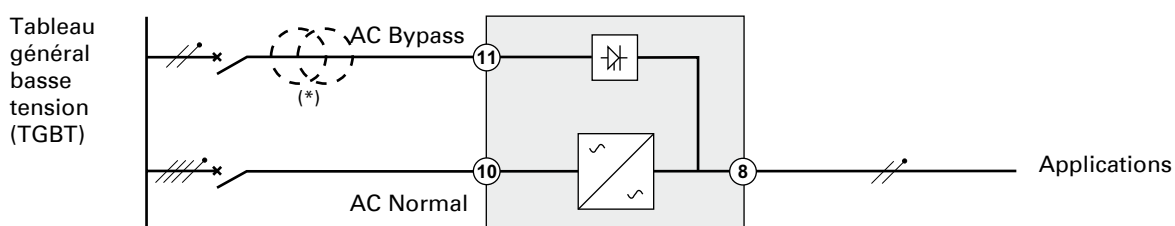
ASI avec réseaux d'entrée AC Normal et AC Bypass communs



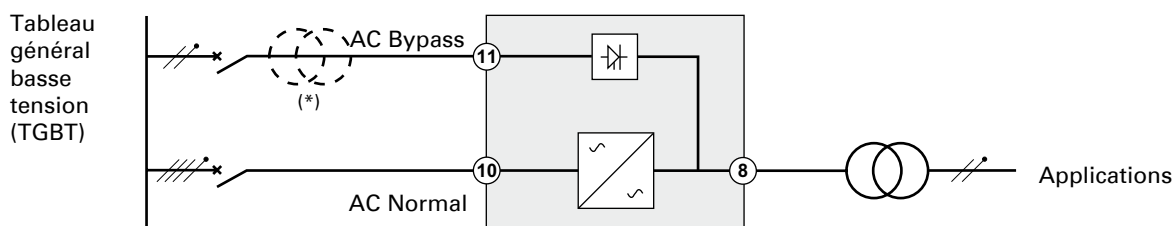
Changement de SLT entre amont et aval ou isolation galvanique requis



ASI avec réseaux d'entrée AC Normal et AC Bypass séparés



Changement de SLT entre amont et aval ou isolation galvanique requis

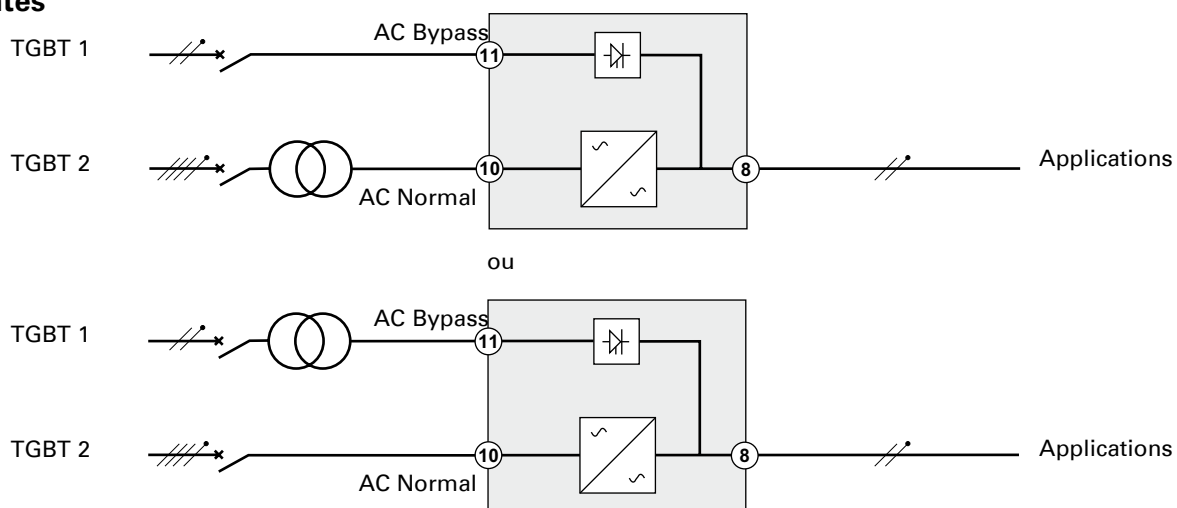


(*): Le transformateur n'est pas nécessaire :

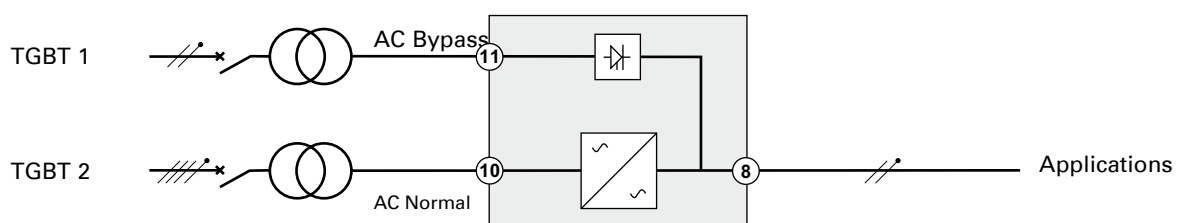
- si les réseaux d'entrée AC Normal et AC Bypass proviennent de la même source,
- et si la section et la longueur des câbles des réseaux d'entrée AC Normal et AC Bypass sont identiques,
- et si les réseaux d'entrée AC Normal et AC Bypass sont protégés par un seul interrupteur différentiel.

2. Installation

ASI avec réseaux d'entrée AC Normal et AC Bypass séparés et provenant de sources différentes

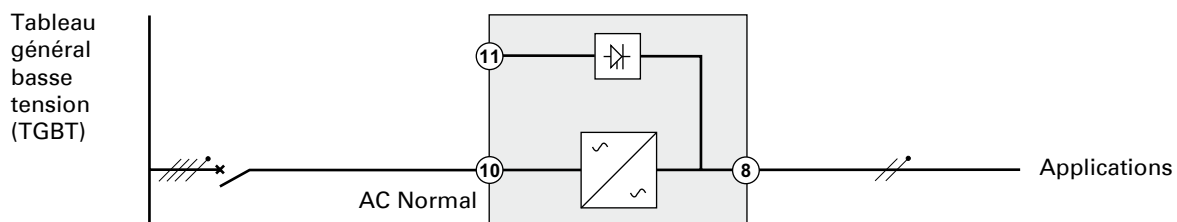


Changement de SLT entre amont et aval ou isolation galvanique requis



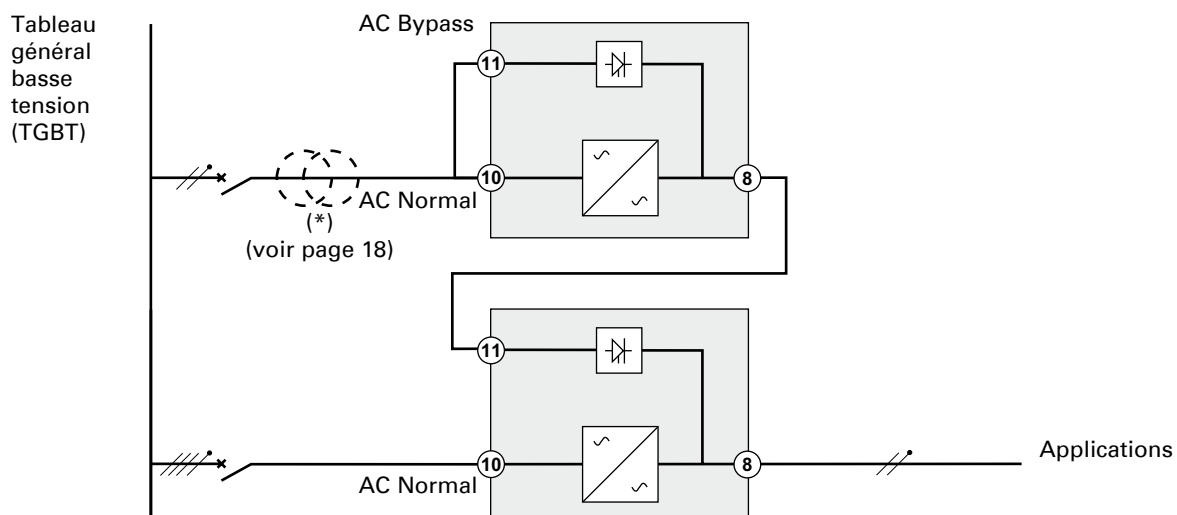
Convertisseur de fréquence (sans réseau d'entrée AC Bypass)

Configuration utilisée quand la fréquence de l'application diffère de celle du réseau (Exemple: ASI pour la marine).



Redondance secours

Configuration utilisée pour assurer la pleine redondance (N+1) à des applications critiques.



2. Installation

2.6 Organes de protection et sections de câbles préconisés

Protection amont préconisée

Puissance nominale de l'ASI	Réseaux d'entrée communs Disjoncteur de protection amont AC Normal / AC Bypass	Réseaux d'entrée séparés	
		Disjoncteur de protection amont AC Normal	Disjoncteur de protection amont AC Bypass
5 kVA	Courbe D - 40 A	Courbe C - 32 A	Courbe D - 40 A
7 kVA	Courbe D - 40 A	Courbe C - 32 A	Courbe D - 40 A
11 kVA	Courbe D - 63 A	Courbe C - 40 A	Courbe D - 63 A



Nota : voir en annexe le diagramme simplifié des réseaux d'entrée communs ou séparés, montrant l'emplacement des organes de protection, les caractéristiques des fusibles internes de l'ASI et les courants ligne avec une ASI fonctionnant en surcharge.

Protection aval préconisée

Puissance nominale de l'ASI	Disjoncteur de protection aval
5 kVA	Courbe Z - 10 A
	Courbe C - 4 A
7 kVA	Courbe Z - 10 A
	Courbe C - 4 A
11 kVA	Courbe Z - 10 A
	Courbe C - 6 A

Les protections indiquées assurent la discrimination entre chaque départ aval de l'ASI, qu'ils soient alimentés par le réseau AC Normal ou AC Bypass. Si ces recommandations ne sont pas respectées, la sélectivité des protections n'est pas assurée et l'alimentation des applications raccordées risque d'être interrompue.



Nota : voir en annexe le diagramme simplifié des réseaux d'entrée communs ou séparés, montrant l'emplacement des organes de protection, les caractéristiques des fusibles internes de l'ASI et les courants ligne avec une ASI fonctionnant en surcharge.

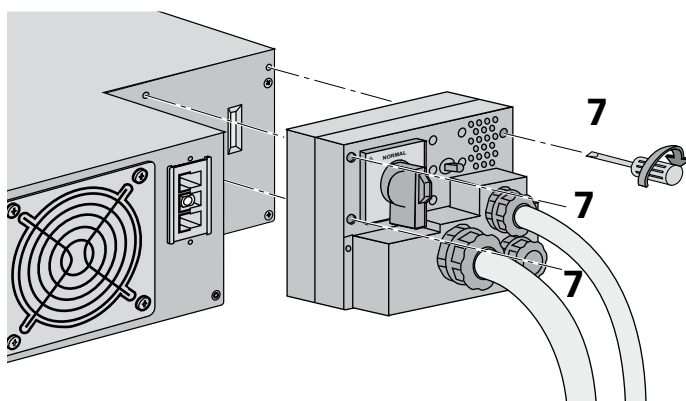
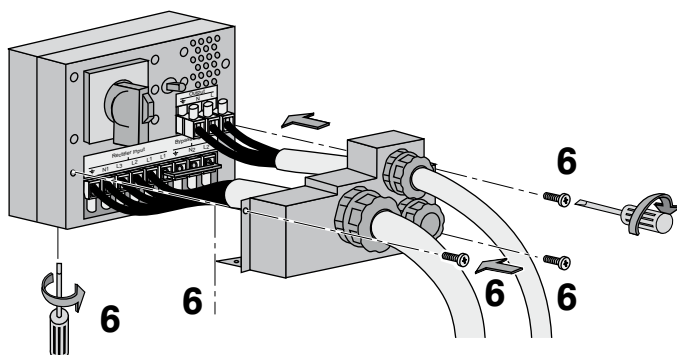
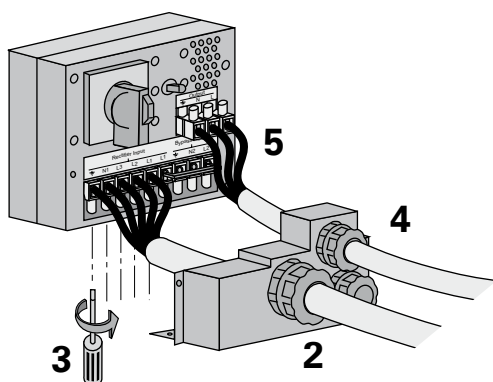
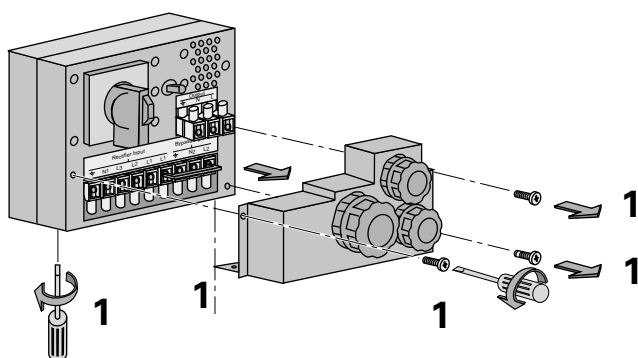
Sections de câble recommandées

- Capacité du bornier : 10 mm², câble rigide ou souple (maximum 13 mm² ou AWG 6).
- Capacité du conducteur de terre : 10 mm², câble rigide ou souple (maximum 13 mm² ou AWG 6).

2.7 Raccordement des câbles de puissance d'entrée et sortie

- Ces raccordements doivent être réalisés par du personnel qualifié.
- Avant d'effectuer les raccordements, vérifier que le disjoncteur batterie (12) et les disjoncteurs de protection amont des réseaux AC Normal et AC Bypass sont en position ouverts ("0" ou "OFF").
- **EX RT** est toujours livré avec les réseaux d'entrée AC Normal et AC Bypass reliés ensemble par un pont câblé sur le bornier.
- Pour des câbles souples, utiliser les embouts de câblage fournis avec le boîtier d'entrées/sortie.

Raccordement d'une ASI avec réseaux d'entrée AC Normal et AC Bypass communs



Pour accéder aux borniers, voir paragraphe 1.2 "Faces arrières":

- 1 - Enlever le capot de protection des borniers (fixé par 5 vis),
- 2 - Faire passer le câble AC Normal à travers le presse-étoupe,
- 3 - Raccorder les 5 fils au bornier AC Normal,

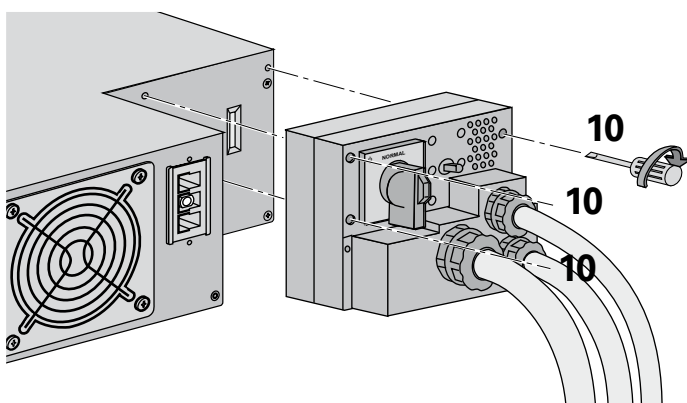
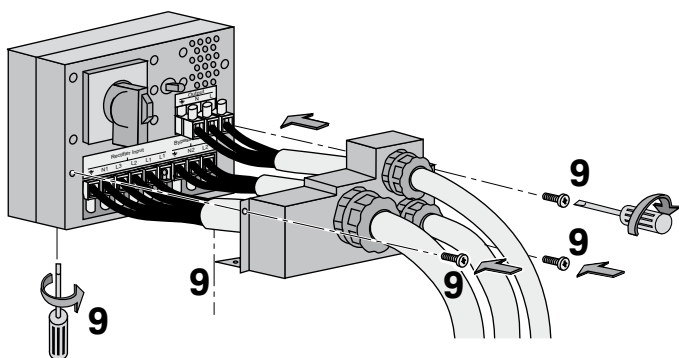
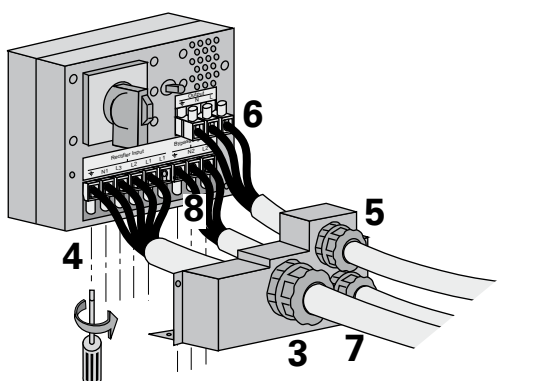
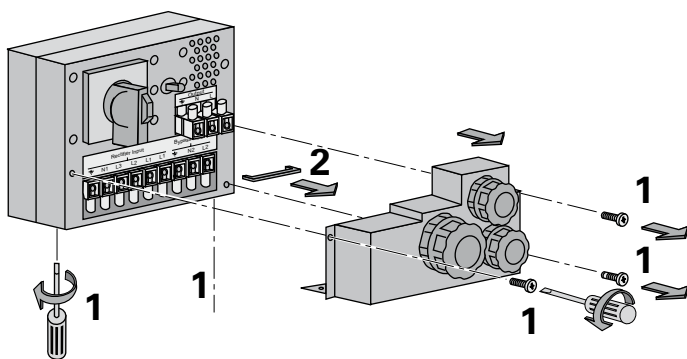


Toujours connecter le fil de terre en premier.

- 4 - Faire passer le câble de sortie alimentant les applications à travers le presse-étoupe,
- 5 - Raccorder les 3 fils au bornier de sortie,
- 6 - Replacer le capot de protection des borniers et serrer les presse-étoupes,
- 7 - Fixer le boîtier d'entrées/sortie à l'arrière du module de puissance à l'aide des 3 vis.

2. Installation

Raccordement d'une ASI avec réseaux d'entrée AC Normal et AC Bypass séparés



- 1 - Enlever le capot de protection des borniers (fixé par 5 vis),
- 2 - Enlever le pont câblé entre les bornes L2 et L1,
- 3 - Faire passer le câble AC Normal à travers le presse étoupe,
- 4 - Raccorder les 5 fils au bornier AC Normal,

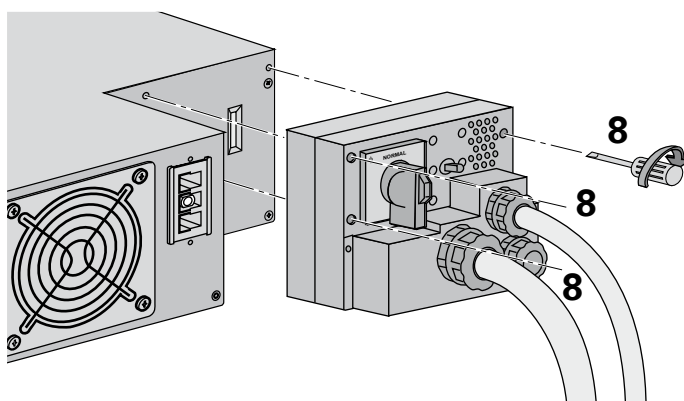
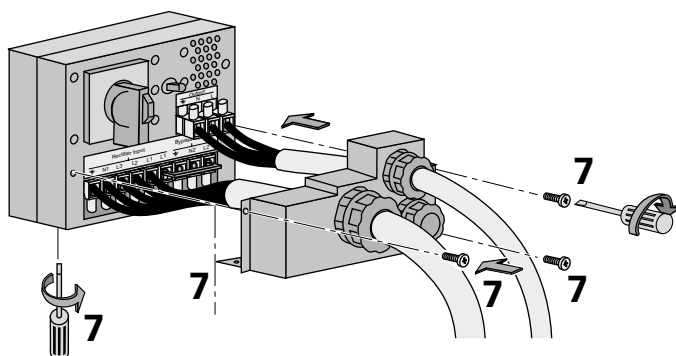
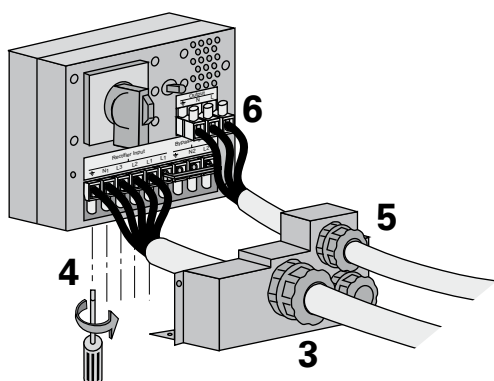
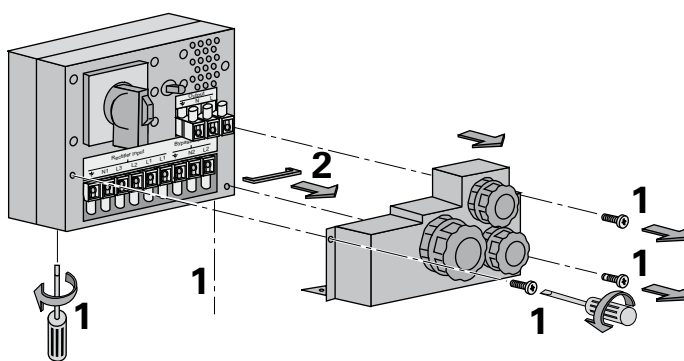


Toujours connecter le fil de terre en premier.

- 5 - Faire passer le câble de sortie alimentant les applications à travers le presse étoupe,
- 6 - Raccorder les 3 fils au bornier de sortie,
- 7 - Faire passer le câble AC Bypass à travers le presse étoupe,
- 8 - Raccorder les 3 fils au bornier AC Bypass,
- 9 - Replacer le capot de protection des borniers et serrer les presse étoupes,
- 10 - Fixer le boîtier d'entrées/sortie à l'arrière du module de puissance à l'aide des 3 vis.

2. Installation

Raccordement du convertisseur de fréquence



- 1 - Enlever le capot de protection des borniers (fixé par 5 vis),
- 2 - Enlever le pont câblé entre L2 et L1,
- 3 - Faire passer le câble AC Normal à travers le presse étoupe,
- 4 - Raccorder les 5 fils au bornier AC Normal,



Raccorder toujours le fil de terre en premier.

- 5 - Faire passer le câble de sortie alimentant les applications à travers le presse étoupe,

- 6 - Raccorder les 3 fils au bornier de sortie,

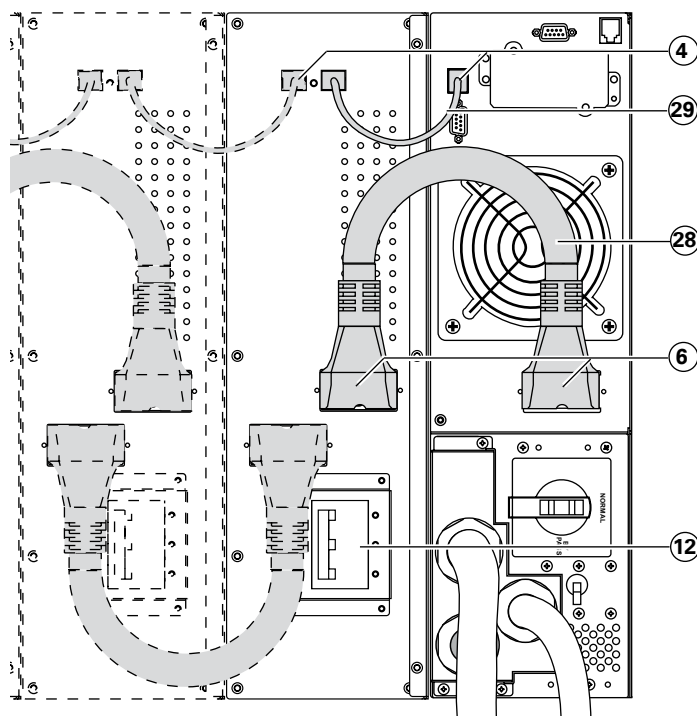


Ne rien raccorder sur le bornier AC Bypass,

- 7 - Remplacer le capot de protection des borniers et serrer les presse étoupes,
- 8 - Fixer le boîtier d'entrées/sortie à l'arrière du module de puissance à l'aide des 3 vis.

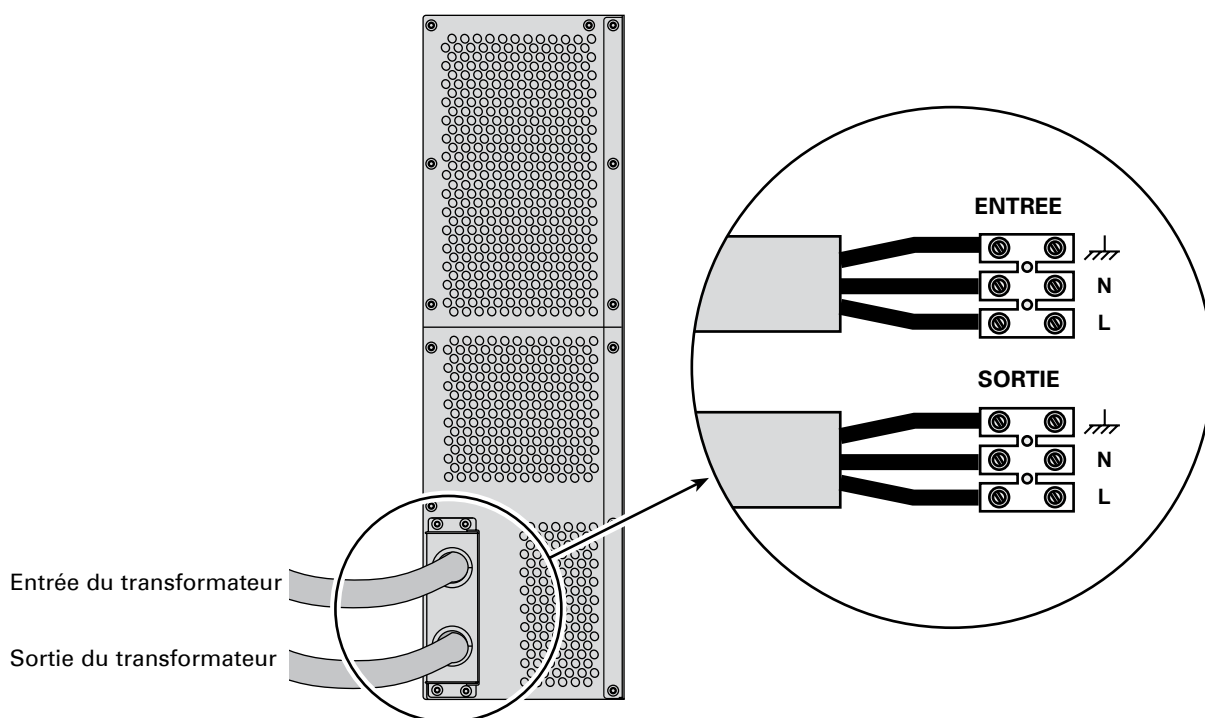
2. Installation

Raccordement des câbles batterie



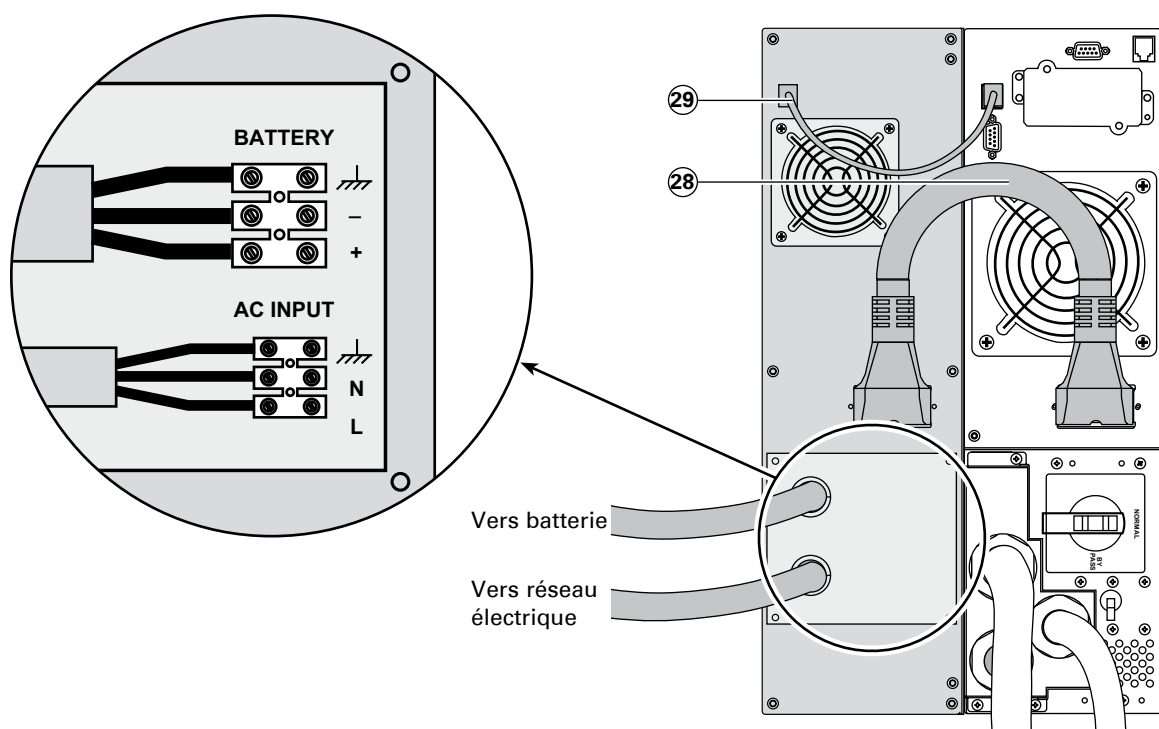
- 1 - Vérifier que le disjoncteur batterie ⑫ est en position ouvert "0",
- 2 - Raccorder le câble batterie ⑳ sur le connecteur ⑥ des modules de puissance et batterie,
- 3 - Raccorder le cordon de détection batterie ㉑ sur les connecteurs ④ des modules de puissance et batterie.

Raccordement du transformateur d'isolement galvanique



- Section du câble de sortie (non fourni) : 10 mm², câble rigide ou souple (maximum 13 mm² ou AWG 6).
- Section du câble d'entrée (non fourni) : 10 mm², câble rigide ou souple (maximum 13 mm² ou AWG 6).

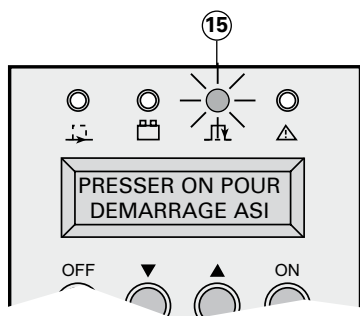
Raccordement du module Chargeur Longue Autonomie (CLA)



- Raccorder le câble batterie ②⑧ (livré avec le module **CLA**) entre le module de puissance et le module **CLA**.
- Raccorder le cordon ②⑨ (livré avec le module **CLA**) entre le module de puissance et le module **CLA**.
- Raccorder la batterie :
- Section du câble (non fourni) : 10 mm², câble rigide ou souple (maximum 13 mm² ou AWG 6).
 - utiliser un disjoncteur (courbe B, 50 A) pour la protection du câble.
- Raccorder le câble d'alimentation du module **CLA** au réseau électrique :
 - section du câble d'entrée (non fourni) : 2,5 mm².
- Utiliser un disjoncteur (courbe C, 10 A) pour la protection du câble.

3. Utilisation

3.1 Mise en service initiale



Vérifier que le commutateur de Bypass manuel (7) est en position "Normal".

Placer le disjoncteur du réseau AC Normal (9) en position fermé "I".

Placer le disjoncteur batterie (12) en position fermé "I".

Les applications raccordées sont alimentées par la source AC Bypass, mais ne sont pas protégées par l'ASI.

La batterie est en cours de recharge, une recharge de 8 heures est nécessaire pour que la batterie puisse fournir l'autonomie nominale.

Le voyant (15) est allumé.

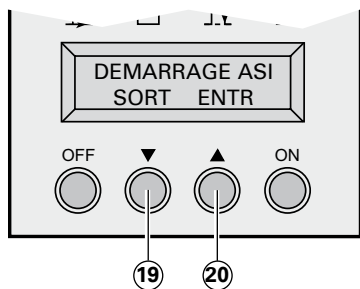
Personnalisation de l'ASI



Si une personnalisation spécifique de l'ASI est envisagée, il est recommandé d'entrer dans le mode de personnalisation de l'ASI à cette étape.

Ce mode est accessible par les touches du panneau de commande ou par le logiciel **Personal Solution-Pac** pour Windows inclu dans le CD-ROM **Solution-Pac** de EATON.

Personnalisation par le panneau de commande



- Presser ensemble les touches de fonction (19) et (20) pendant plus de 3 secondes.

- Presser la touche de fonction (20) placée sous le mot ENTR pour accéder au mode de personnalisation et suivre les messages de l'afficheur en utilisant les touches de fonction correspondant aux différents choix offerts.

Personnalisation locale

Fonction	Personnalisation usine	Options
Langage	Anglais	Français, Espagnol, Allemand, Italien.
Format date / heure	Format international (JJ-MM-AAAA/HH:MM)	Format US (MM-JJ-AAAA/HH:MM AM/PM).
Modification date / heure	Heure française	MM-JJ-AAAA/HH:MM réglables.
Alarme sonore	Bips rapides	Bips lents.

Personnalisation de la sortie

Fonction	Personnalisation usine	Options	Commentaires
Tension de sortie	230 Volts AC	200/208/220/240/250	
Convertisseur de fréquence	Inactive	Active	Réseau AC Bypass inactivé.
Fréquence de sortie	Sélection automatique	50/60 Hz	Sélectionnable par l'utilisateur dans le mode convertisseur de fréquence.
Mode Eco	Inactive	Active	Voir le glossaire.
Redondance secours	Inactive	Active	Redondance N+1 (Voir § 2.5 "Redondance secours").
Mode de fonctionnement	Industriel	Réseau I/T	(*)
Transfert sur réseau AC Bypass	Si le réseau AC Bypass est hors tolérances.	Si le réseau AC Bypass est en tolérance.	(*)
Temps de coupure	10 ms	10 à 200 ms (par pas de 10 ms)	Calibrage du temps de coupure lors du transfert sur le réseau AC Bypass hors tolérances.
Niveau de surcharge	102 %	50/70 %	

(*) : - Choisir "Réseau I/T" et "AC Bypass en tolérance" pour les applications informatiques.

- Choisir "Industriel" et "AC Bypass hors tolérances" dans le cas d'applications à continuité de service extrême (coupures de 10 ms acceptées).

Personnalisation ON/OFF

Fonction	Personnalisation usine	Options	Commentaires
Démarrage sur batterie	Inactive	Active	Démarrage sur batterie
Arrêt forcé	Active	Inactive	Assure le redémarrage automatique de votre système même si le retour du réseau électrique intervient avant la fin de la séquence d'arrêt.
Redémarrage automatique	Active	Inactive	Redémarrage automatique de l'ASI au retour du réseau AC Normal.
Mise en veille	Inactive	Active	Arrêt automatique de l'autonomie batterie sur niveau de puissance <10 %.
Marche/arrêt par logiciel	Active	Inactive	Autorise la prise en compte des ordres d'arrêt ou de redémarrage provenant des logiciels.

Personnalisation batterie

Fonction	Personnalisation usine	Options	Commentaires
Test de la batterie	Chaque semaine	Pas de test / journalier / mensuel	
Préalarme fin d'autonomie	20 %	0 à 100 %	Résolution de 1 %.
Choix des autonomies batterie	Nombre de modules batterie détectés par l'ASI.	De 50 à 400 Ah	Requiert EX RT CLA si cette option est utilisée (voir le § 1.4 "Extensions batterie").
Protection de la batterie contre les décharges profondes	Active	Inactive	Si inactive, perte de la garantie EATON.

- Presser la touche QUIT en fin de personnalisation.
- Ces paramètres ne sont modifiables que si l'ASI est à l'arrêt.

Personnalisation par logiciel externe



- Insérer le CD ROM **Solution-Pac** dans votre lecteur.
- Sur le premier écran du navigateur, sélectionner "Installation" et suivre les instructions pour installer le logiciel **Personal Solution-Pac**.
- Si rien n'apparaît, exécuter startup.exe.
- Sélectionner ensuite "Advanced settings" et "UPS settings".

Noter que les versions Linux/Unix/MacOS du logiciel **Personal Solution-Pac** n'incluent pas cette possibilité.

3.2 Séquence de démarrage de l'ASI



- Presser la touche ON plus de 3 secondes.
- Après la séquence de test interne de l'ASI, le voyant vert (13) s'allume.

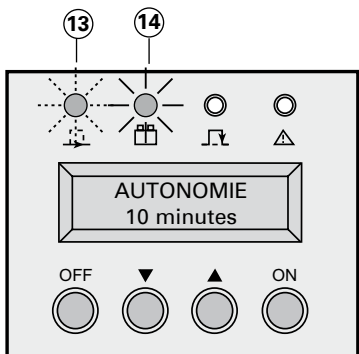
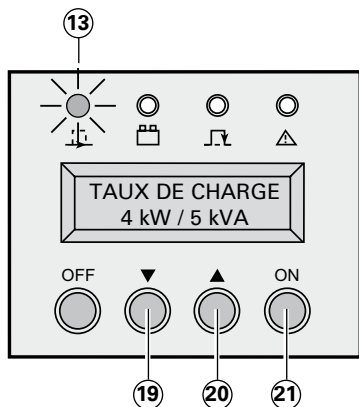


Au démarrage, si le réseau AC Bypass est hors tolérances, l'ASI va provoquer une coupure d'alimentation des applications raccordées calibrée à 10 ms.

3. Utilisation

3.3 Modes de fonctionnement

Mode Normal (double conversion)



C'est le mode de fonctionnement standard, personnalisé en usine.

Ce mode offre deux fonctionnements possibles.

1 - Le réseau AC Normal est disponible :

Le voyant (13) est allumé.

Les applications raccordées sont protégées par l'ASI.

En mode Normal, la touche "scroll down" (19) ou "scroll up" (20) permet de lire les mesures effectuées sur l'ASI (tension des réseaux AC Normal et AC Bypass, mode de fonctionnement, capacité batterie et numéro de série de l'ASI).

2 - Le réseau AC Normal est indisponible :

Le voyant (13) clignote.

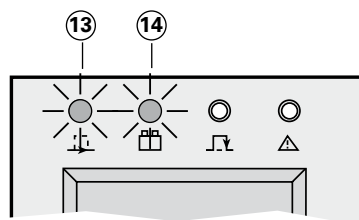
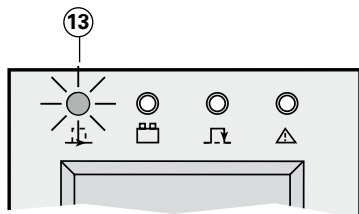
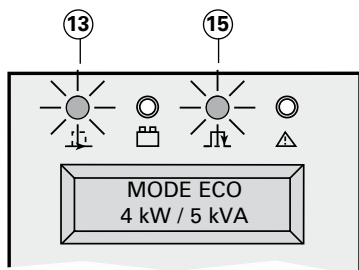
Le voyant (14) est allumé.

L'alarme sonore fonctionne par intermittence.

Les applications raccordées sont alimentées par l'ASI à partir de la batterie.

Ne pas basculer le commutateur manuel de Bypass (7) lorsque l'ASI est en mode Normal.

Mode Eco



Le principal avantage de ce mode est la réduction de la consommation électrique.

En fonctionnement en mode Eco (voir glossaire), la fonction de filtrage de l'ASI est désactivée.

Trois fonctionnements possibles :

1 - Le réseau AC Bypass est disponible :

Les voyants (13) et (15) sont allumés.

Les applications raccordées sont alimentées en mode Eco.

2 - Le réseau AC Bypass est indisponible :

Le voyant (13) est allumé.

L'alarme sonore fonctionne par intermittence.

Les applications raccordées sont automatiquement alimentées en mode Normal par la source AC Normal.

3 - Les réseaux AC Normal et AC Bypass sont simultanément indisponibles ou hors tolérances :

Le voyant (13) est allumé.

Le voyant (14) est allumé.

L'alarme sonore fonctionne par intermittence.

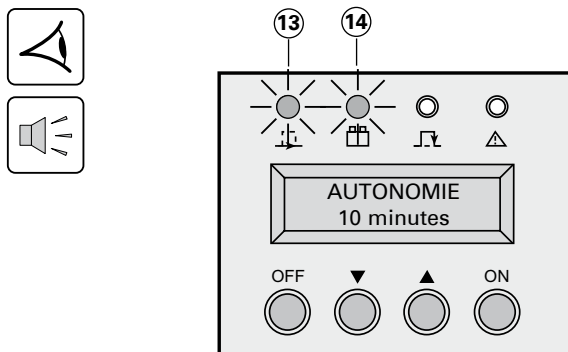
Les applications raccordées sont alimentées par l'ASI à partir de la batterie.

L'afficheur indique l'autonomie batterie restante.

3.4 Fonctionnement sur batterie

Les applications raccordées continuent à être alimentées par l'ASI quand le réseau AC Normal n'est plus disponible. L'énergie fournie provient de la batterie.

Passage sur batterie



Le voyant (13) est allumé.

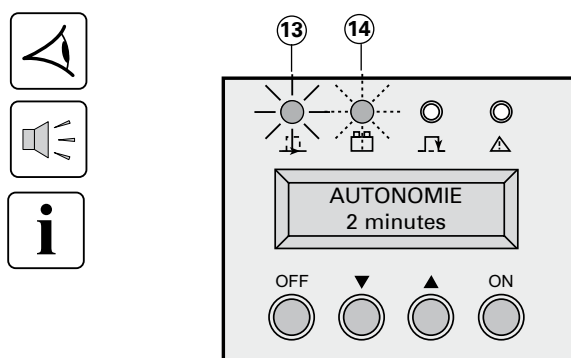
Le voyant (14) est allumé.

L'alarme sonore émet un bip toutes les 10 secondes.

Les applications raccordées sont alimentées à partir de la batterie.

L'afficheur indique l'autonomie batterie restante.

Seuil de préalarme de fin d'autonomie batterie



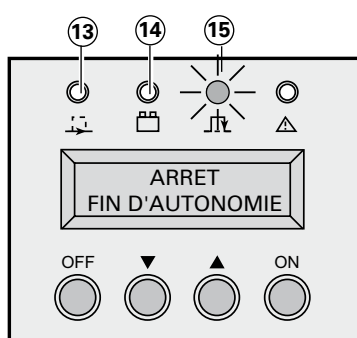
Le voyant (13) est allumé.

Le voyant (14) clignote.

L'alarme sonore émet un bip toutes les 3 secondes.

L'autonomie batterie restante est faible. Fermer toutes les applications raccordées car l'arrêt automatique de l'ASI est imminent.

Fin d'autonomie batterie



Les voyants (13) et (14) sont éteints.

L'alarme sonore est silencieuse.

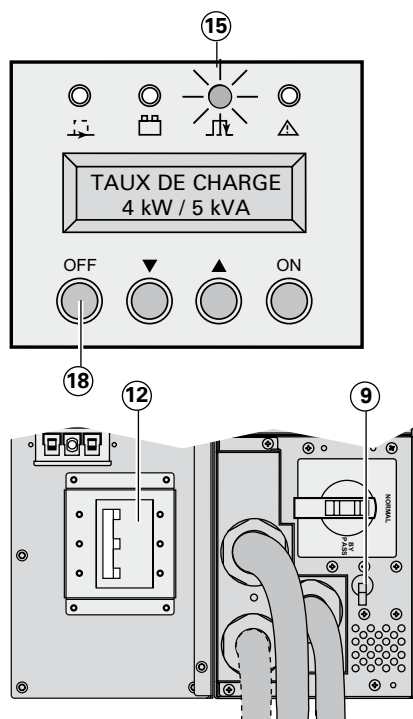
Les applications raccordées sont transférées sur le réseau AC Bypass si il est présent. Dans ce cas le voyant (15) est allumé.

3.5 Retour du réseau AC Normal

Après la coupure, l'ASI redémarre automatiquement au retour du réseau AC Normal (à moins que cette fonction n'ait été désactivée via la personnalisation de l'ASI).

3. Utilisation

3.6 Arrêt de l'ASI



1 - Presser la touche (15) plus de 3 secondes.



Les applications raccordées ne sont plus protégées par l'ASI. Elles sont alimentées par le réseau AC Bypass. Si l'ASI est en mode convertisseur de fréquence, les applications raccordées ne sont plus alimentées. Si le réseau AC Bypass est hors tolérances, l'ASI va générer une coupure calibrée à 10 ms.

2 - Placer le(s) disjoncteur(s) (12) en position ouvert "0".

3 - Placer le disjoncteur du réseau AC Normal (9) en position ouvert "0".

4 - Pour une isolation complète de l'ASI et des applications raccordées, le disjoncteur amont (non fourni) doit être en position ouvert "0" ou "OFF".

4.1 Anomalies



Si l'un des voyants (15) ou (16) est allumé, il y a une anomalie de fonctionnement ou une alarme. Utiliser la touche de fonction "scroll up" ou "scroll down" pour arrêter l'alarme sonore.

Anomalies ne nécessitant pas l'intervention du service après vente EATON :

Indication	Signification	Correction
Le voyant (15) est allumé, l'afficheur alphanumérique indique : MAUVAIS CABLAGE RECABLER RESEAU	Erreur de raccordement du réseau AC Normal.	Corriger le raccordement du réseau AC Normal.
Le voyant (15) est allumé, l'afficheur alphanumérique indique : TAUX DE CHARGE Xx kW / XX KVA	Les applications raccordées sont alimentées par le réseau AC Bypass.	Presser la touche ON pendant plus de 3 secondes.
Le voyant (15) est allumé*, l'afficheur alphanumérique indique : SURCHARGE THERMIQUE 1XX%	Surcharge en sortie de l'ASI.	Vérifier la puissance consommée par les applications raccordées et déconnecter toutes les applications non prioritaires.
Le voyant (16) est allumé, l'afficheur alphanumérique indique : SURCHARGE COUR.	Court-circuit sur les applications raccordées.	Rechercher l'application en court-circuit ou en défaut.
L'alarme sonore est en fonction, l'afficheur alphanumérique indique : I/O BOX DEBRANC.	Le boîtier Entrées/sortie est mal fixé.	Vérifier la fixation du boîtier Entrées/sortie (face arrière).

(*) : si le réseau AC Bypass est disponible.

Anomalies nécessitant l'intervention du service après vente EATON :

Indication	Signification	Correction
Les voyants (15)* et (16) sont allumés et l'alarme sonore est en fonction. L'afficheur alphanumérique indique : DEFAUT xxx www.eaton.com	Défaut interne et transfert des applications raccordées sur le réseau AC Bypass.	Suivre la procédure de remplacement de l'ASI (voir § 4.3). Faire appel au service après vente.
Le voyant (15) est allumé* et l'alarme sonore est en fonction. L'afficheur alphanumérique indique : DEFAUT BATTERIE	Défaut batterie constaté pendant le test de la batterie.	Suivre la procédure de remplacement de l'ASI (voir § 4.3). Faire appel au service après vente.
Le voyant (15) est allumé, l'afficheur alphanumérique indique : DEFAUT CS BYPASS SHUTDOWN	Défaut du contacteur statique.	Suivre la procédure de remplacement de l'ASI (voir § 4.3). Faire appel au service après vente.
L'alarme sonore est en fonction, et l'afficheur alphanumérique indique : TESTER BATTERIE www.eaton.com	La batterie a dépassé sa durée de vie contractuelle. L'autonomie de la batterie va se réduire fortement.	Contacteur le service après vente local : www.eaton.com, rubrique "nous contacter"**.

(*) : si le réseau AC Bypass est disponible.

(**): pour acquiescer cette alarme définitivement, presser les touches de fonction (19) et (20) pendant plus de 3 secondes et aller dans le menu "réglages LCM".

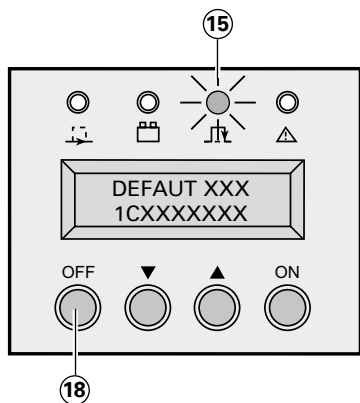
4. Maintenance

4.2 Remplacement du module de puissance



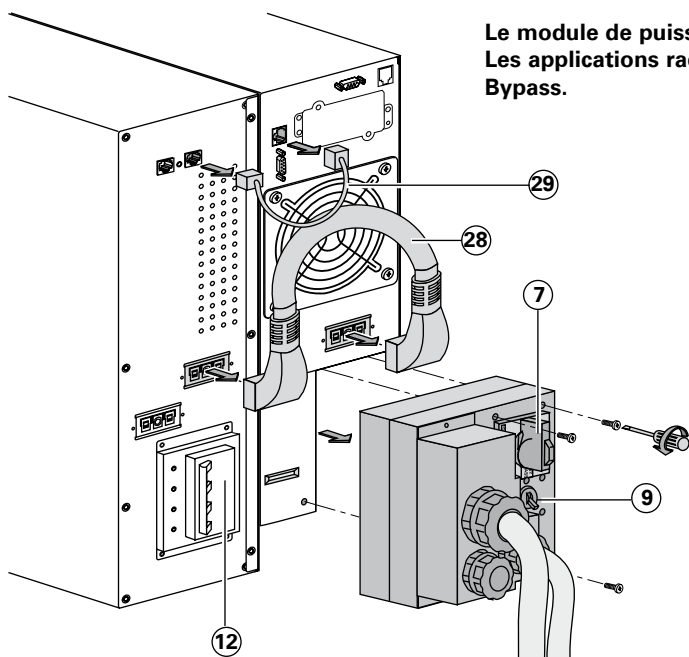
Cette opération peut être effectuée sans interrompre l'alimentation des applications raccordées.

Déconnexion du module de puissance



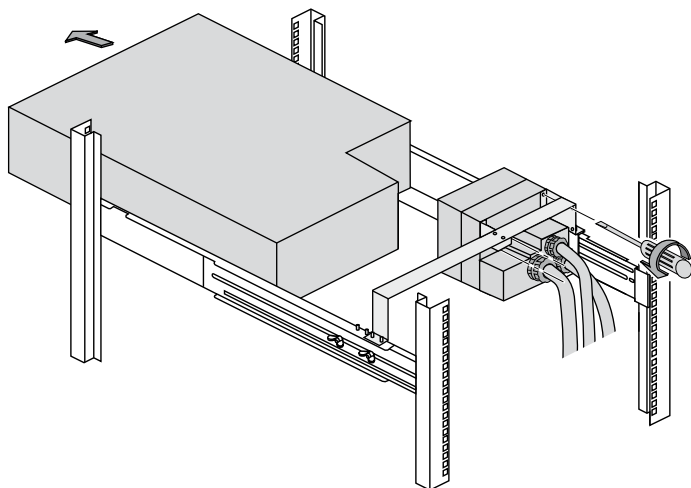
- Arrêter l'ASI à l'aide de la touche (18) pressée plus de 3 secondes.
- Vérifier que l'ASI fonctionne en mode Bypass : le voyant (15) doit être allumé (si il ne l'est pas, ne pas tourner le commutateur manuel de Bypass et faire appel au service après vente).
- Placer le commutateur manuel de Bypass (7) en position BYPASS.
- Placer le(s) disjoncteur(s) batterie (12) en position ouvert(s) "0".
- Placer le disjoncteur réseau AC Normal (9) en position ouvert "0" et attendre 30 secondes.
- Dévisser les 3 vis de fixation du boîtier d'entrées/sortie à l'arrière de l'ASI.
- Déconnecter les câbles batterie (28) et (29) du module de puissance.

Position tour

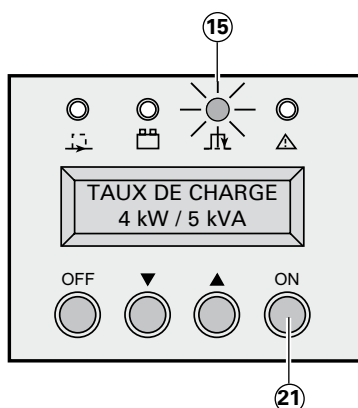


**Le module de puissance peut maintenant être remplacé.
Les applications raccordées sont alimentées par le réseau AC Bypass.**

Position rack



Reconnexion du module de puissance

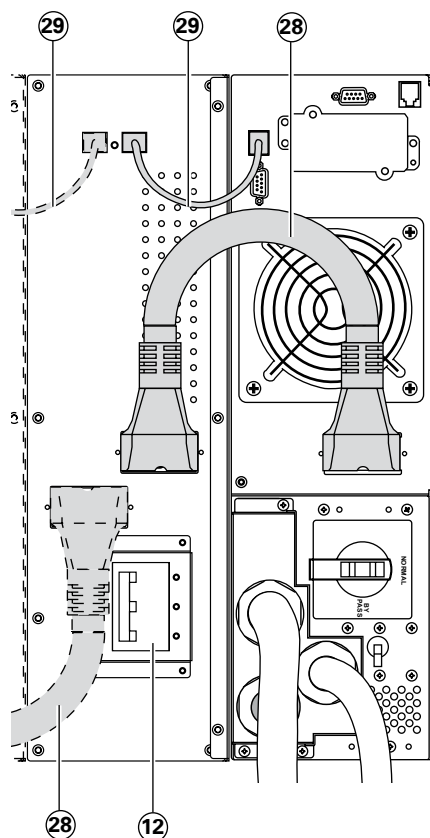


- Fixer le boîtier d'entrées/sortie à l'arrière de l'ASI par les 3 vis prévues.
- Reconnecter les câbles batterie (28) et (29) au module de puissance.
- Placer le(s) disjoncteur(s) batterie (12) en position fermé "I".
- Placer le disjoncteur réseau AC Normal (9) en position fermé "I".
- Tourner le commutateur manuel de Bypass de la position BYPASS à la position NORMAL.
- Vérifier que le voyant (15) est allumé.
- Suivre la séquence de mise en service initiale (voir § 3.1) pour effectuer la personnalisation de l'ASI.
- Presser la touche ON (21) plus de 3 secondes.

Le voyant vert (13) est allumé et les applications raccordées sont maintenant protégées par l'ASI.

4.3 Remplacement du module batterie

Déconnexion du module batterie



- Placer le(s) disjoncteur(s) batterie (12) en position ouvert(s) "0".
- Déconnecter les câbles batterie (28) et (29) du module de puissance.

Le module batterie peut maintenant être remplacé. Les applications raccordées continuent à être alimentées par l'ASI.

Il est également possible de remplacer les éléments batterie au lieu du module batterie. Contacter votre service après-vente le plus proche.

Pour remplacer les éléments batterie:

- Tout d'abord placer le(s) disjoncteur(s) batterie (12) en position ouvert(s) "0".
- Voir le § 2.3 et suivre les instructions de démontage des éléments batterie.

Reconnexion du module batterie



- Reconnecter les câbles batterie (28) et (29) au module de puissance.
- Placer le(s) disjoncteur(s) batterie (12) en position fermé "I".

Pour reconnecter les éléments batterie :

Voir le § 2.3 et suivre les instructions inverses.

- Quand la face avant du module batterie est fermée, connecter les câbles batterie (28) et (29) au module de puissance.
- Placer le(s) disjoncteur(s) batterie (12) en position fermé(s) "I".

4. Maintenance

4.4 Centre de formation



Pour maîtriser l'exploitation de votre appareil EATON et intervenir au premier niveau, nous mettons à votre disposition un programme complet de formations techniques en langues anglaise et française.

Pour plus d'informations, consulter notre site internet : www.eaton.com

5.1 Spécifications techniques

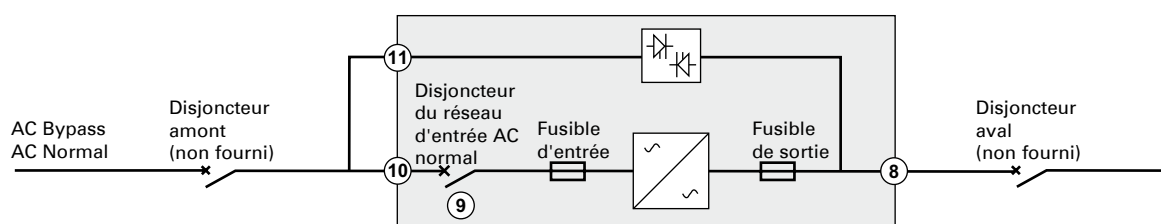
Caractéristiques électriques

Modes de fonctionnement réseau I/T et industriel

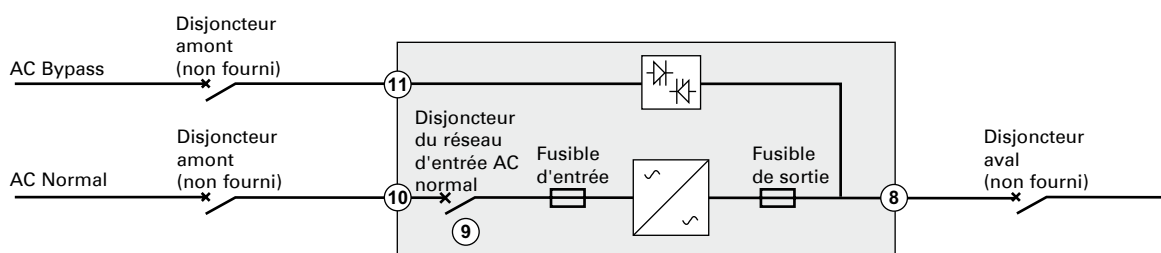
	Mode industriel	Mode réseau I/T
Surcharge avec réseau AC Bypass en tolérance.	Même fonctionnement que le mode réseau I/T, mais pas de retour en mode Normal si la surcharge disparaît.	Les applications raccordées sont transférées sur le réseau AC Bypass. Le retour en mode Normal s'effectue quand la surcharge disparaît.
Surcharge avec réseau AC Bypass hors tolérance.	Transfert des applications raccordées sur le réseau AC Bypass avec une coupure calibrée de 10 millisecondes, pas de retour en mode Normal si la surcharge disparaît.	Arrêt de l'ASI. Les applications raccordées ne sont pas transférées sur le réseau AC Bypass.
Court-circuit en sortie avec réseau AC Bypass en tolérance.	Transfert immédiat des applications raccordées sur le réseau AC Bypass, retour en mode Normal si le court-circuit est éliminé par l'action des disjoncteurs aval (voir § 2.6).	Les applications raccordées restent alimentées par l'ASI. Arrêt définitif de l'ASI au bout de 3 minutes si le court-circuit persiste.
Court-circuit en sortie avec réseau AC Bypass hors tolérance.	Transfert des applications raccordées sur le réseau AC Bypass avec une coupure calibrée de 10 millisecondes, pas de retour en mode Normal si le court-circuit est éliminé par l'action des disjoncteurs aval (voir § 2.6).	Les applications raccordées restent alimentées par l'ASI. Arrêt définitif de l'ASI au bout de 3 minutes si le court-circuit persiste.

Choix des organes de protection

ASI avec réseaux d'entrée AC Normal et AC Bypass communs



ASI avec réseaux d'entrée AC Normal et AC Bypass séparés



Pour le dimensionnement des disjoncteurs amont, il faut tenir compte des paramètres ci-après :

Valeurs des courants ligne

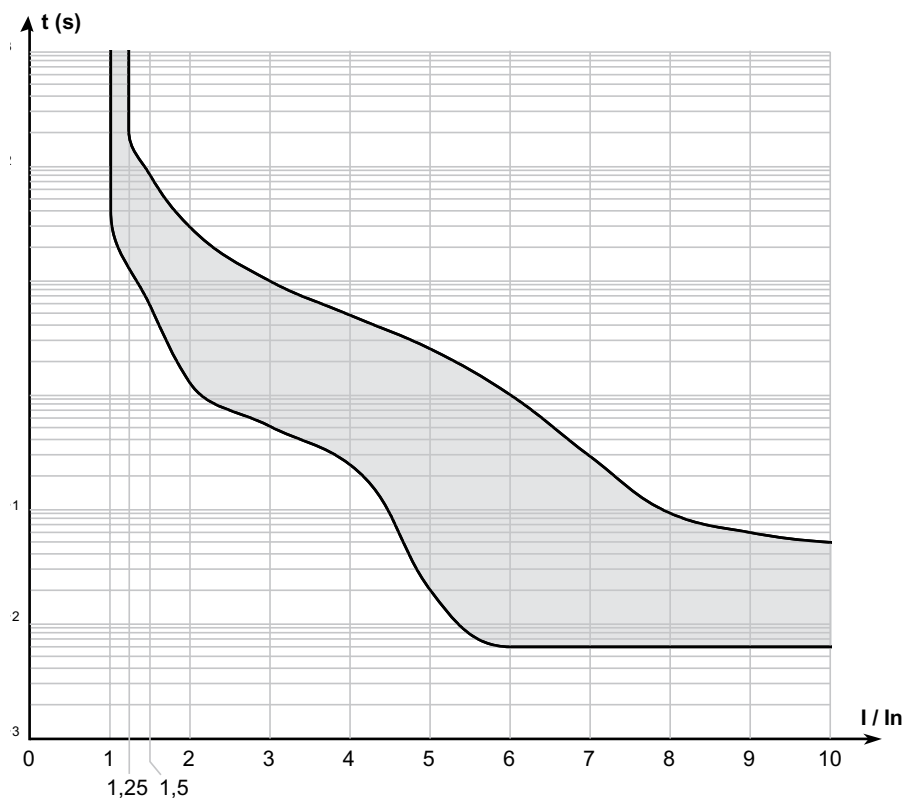
Puissance nominale de l'ASI	Courant continu à 400/320 Volts et charge nominale	Courant continu à 320 Volts et surcharge = 110 % limitée à 2 minutes	Calibre des fusibles d'entrée	Calibre des fusibles de sortie
5 kVA	9/10 A	11 A	25 A	80 A
7 kVA	10/11 A	12 A	25 A	80 A
11 kVA	15/19 A	21 A	30 A	100 A

La sélectivité des protections amont/aval indiquée au paragraphe 2.6 est assurée pour une longueur de câble de 30 m maximum et de section 10 mm².

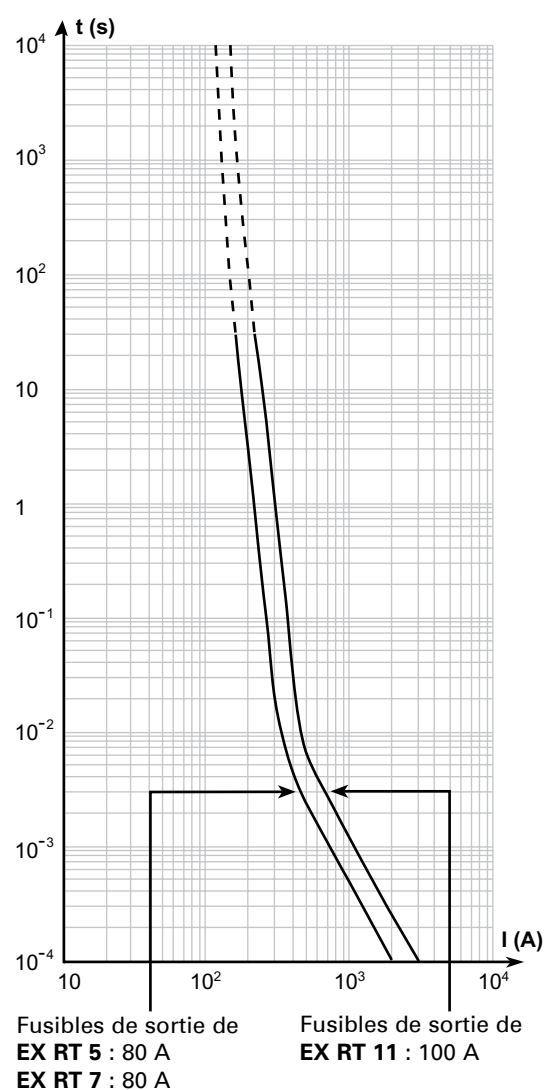
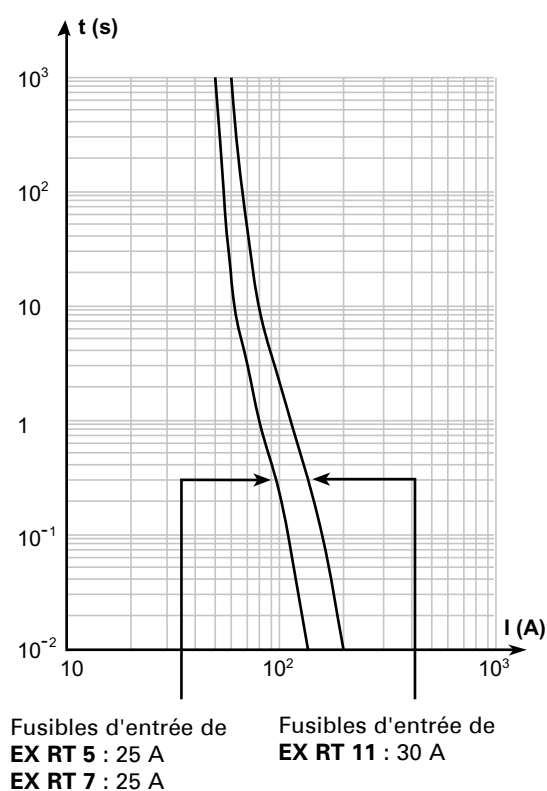
Il faut sélectionner le pouvoir de coupure du disjoncteur en fonction de l'installation, de la longueur, et de la section des câbles.

5. Annexes

Courbes Temps/Courant pour le disjoncteur d'entrée de l'ASI



Courbes Temps/Courant pour les fusibles d'entrée et sortie de l'ASI



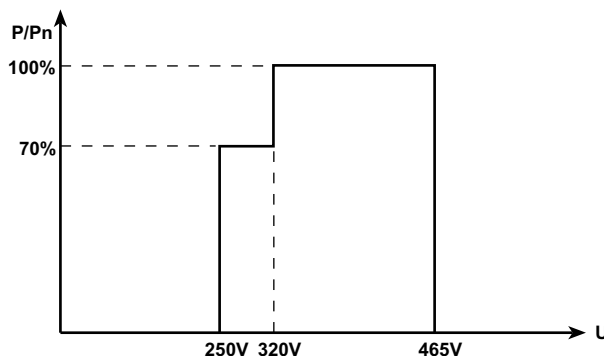
Caractéristiques d'entrée/sortie de l'ASI

Source	Tension	Fréquence
Réseau AC Normal	320 à 465 Volts AC	40 à 70 Hz
Réseau AC Bypass	187 à 264 Volts AC*	48 à 52 Hz**
Sortie applications	230 Volts AC (autres valeurs possibles : 200/208/220/240/250 V).	Sélection automatique 50/60 Hz (ou convertisseur de fréquence).

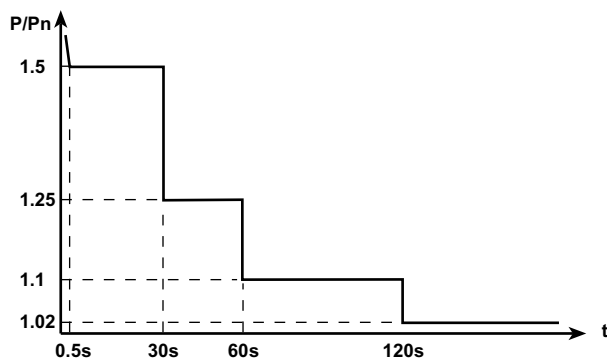
(*): dépend de la tension de sortie personnalisée, modifiable par logiciel.

(**): personnalisée à +/- 4% par défaut (autres valeurs possibles : 1,2,4,8), modifiable par logiciel.

Puissance fournie par l'ASI en fonction de la tension d'entrée



Surcharges admissibles par l'ASI en fonction du temps



Courant de court-circuit fourni par l'ASI en mode Normal ou Batterie

- EX RT 5 : 110 A pendant 80 ms.
- EX RT 7 : 110 A pendant 80 ms.
- EX RT 11 : 150 A pendant 80 ms.

Module transformateur EX RT

Puissance nominale	11 kVA
Courant nominal	63 A
Tension d'entrée	160-280 Volts AC
Chute de tension	7 Volts à charge nominale
Fréquence	50/60 Hz (+/-10 %)
Isolation (EN 61558-1-2-4)	3,75 kV / 5 M ohms
Température de fonctionnement	De 0° à +40 °C
Taux d'humidité max	95 %
Déclassement d'altitude	Pn -10 % > 1000 m
Dimensions HxLxP (tour)	444 x 131 x 635 mm
Dimensions HxLxP (rack 3U)	131 x 444 x 635 mm
Masse	86,5 kg

5. Annexes

Module EX RT CLA

- Tension d'alimentation : 160-280 Volts AC,
- Fréquence d'alimentation : 40-70 Hz,
- Courant de recharge : 6 A CC,
- Temps de recharge pour retrouver 90 % de l'autonomie nominale après une décharge à puissance nominale de l'ASI :

	Configuration 2 heures d'autonomie	Configuration 4 heures d'autonomie	Configuration 8 heures d'autonomie
EX RT 5	5 heures	12 heures	20 heures
EX RT 7	5 heures	12 heures	20 heures
EX RT 11	7 heures	15 heures	24 heures

Caractéristiques thermiques

- Température de fonctionnement de l'ASI de 0 à 40 °C (8 heures à 45 °C), avec un fonctionnement optimum entre +20 et +25 °C.
- La durée d'autonomie batterie est affectée par les hautes ou basses températures. Elle est réduite significativement en dessous de 10 °C. Au dessus de 25 °C, la durée de vie de la batterie est réduite de moitié tous les 10 °C. Au dessus de 40 °C, les fabricants de batterie ne garantissent plus son fonctionnement à cause d'un risque d'emballement thermique.
- L'entrée d'air se fait par l'avant et la sortie par l'arrière.

5.2 Glossaire

Application	Appareils ou dispositifs raccordés en sortie de l'ASI.
ASI	Alimentation Sans Interruption.
Autonomie	Temps pendant lequel l'application est alimentée par la batterie.
Bypass manuel	Commutateur rotatif, actionné par l'utilisateur, permettant d'alimenter directement l'application par le réseau électrique. Le passage en bypass manuel permet la maintenance sans interrompre l'alimentation électrique de l'application connectée.
Contacts des relais	Informations délivrées sous forme de contacts destinées à l'utilisateur.
Mode ECO	Mode de fonctionnement qui permet d'alimenter directement l'application par le réseau électrique si celui-ci est dans les limites de tolérances définies par l'utilisateur. Ce mode permet d'économiser l'énergie.
Mode normal ou double conversion	Mode de fonctionnement normal de l'ASI : le réseau électrique alimente l'ASI qui alimente l'application (après une double conversion électronique).
Réseau AC NORMAL	Réseau d'alimentation normal de l'ASI.
Réseau AC BYPASS	Réseau d'alimentation de la voie Bypass permettant d'alimenter l'application lors d'une surcharge en sortie de l'ASI, d'une maintenance ou d'un dysfonctionnement.

EX RT 5 3:1
EX RT 7 3:1
EX RT 11 3:1

**Installations- und
Bedienungsanleitung**



EATON

Powering Business Worldwide

Einführung

Wir danken Ihnen, daß Sie sich für ein Produkt von EATON zum Schutz Ihrer Geräte entschieden haben.

Die Baureihe **EX RT** wurde mit größter Sorgfalt entwickelt.

Um die Leistungen Ihrer **USV (Unterbrechungsfreien Stromversorgung)** optimal nutzen zu können, empfehlen wir Ihnen, sich ein wenig Zeit zu nehmen und das vorliegende Handbuch aufmerksam zu lesen.

Achtung! **EX RT** ist ein Gerät der Störfestigkeitsklasse A. Es kann bei Einsatz im häuslichen Umfeld Funkstörungen verursachen. In diesem Fall muß der Anwender geeignete zusätzliche Schutzmaßnahmen treffen.

Falls das Gerät in einer Umgebung der Überspannung III oder IV installiert werden soll, muss ein zusätzlicher Überspannungsschutz auf dem hinführenden Stromkreis vorgesehen werden.

Entdecken Sie das umfassende Angebot von EATON sowie weitere Optionen zur Baureihe **EX RT** auf unserer WEB-Site **www.eaton.com**, oder wenden Sie sich persönlich an den Vertreter von EATON in Ihrer Nähe.

Umweltschutz

Für EATON ist Umweltschutz ein wichtiger Aspekt bei der Entwicklung und Herstellung seiner Produkte. Durch konsequente Umsetzung eines ökologischen Gesamtkonzepts von der Planung bis hin zur Entsorgung konnte die Umweltbelastung der USV-Baureihe **EX RT** erheblich reduziert werden.

Verwendung des vorliegenden Handbuchs

Die Informationssuche erfolgt entweder:

- über das Inhaltsverzeichnis oder
- über das Stichwortregister

Bedeutung der Piktogramme



WICHTIG, Hinweise unbedingt befolgen.



Informationen, Ratschläge, Hilfen.



Optische Anzeige.



Maßnahmen, Handlungen.



Akustischer Alarm.

In den Abbildungen der nachfolgenden Seiten sind die LED-Anzeigen mit folgenden Symbolen dargestellt:



LED AUS.



LED AN.



LED blinkt.

1. Ansichten und Beschreibung

1.1	Aufstellungsarten	5
	Tower-Modell	5
	Rack-Modell	5
1.2	Rückansicht	6
	USV-Module EX RT 5/7/11	6
	Batterieminuten EX RT EXB 7/11	6
1.3	Anzeige- und Bedienfeld	7
1.4	Optionen	7
	Montagematerial für Rackeinbau	7
	Trenn- und Anpaßtransformator für unterschiedliche Netzformen	8
	Batterie-Erweiterungsmodule für Autonomiezeiten bis zu 60 Minuten	9
	CLA-Modul (Hochleistungsladegerät) für Autonomiezeiten von 2 bis 8 Stunden	9
	Fahrbares Rahmengestell für Einbau mehrerer Module	10
	Batterieminuten mit Not-AUS-Funktion (REPO)	10
	Batterie-Verbindungskabel (1,8 m)	10

2. Aufstellung und Installation

2.1	Entfernen der Verpackung und Überprüfung des Lieferumfangs	11
	USV-Modul	11
	Batterieminuten	11
2.2	Aufstellung des Tower-Modells	12
2.3	Einbau des Rack-Modells	13
	Anpassung der Position des Logos und des Bedien- und Anzeigefelds	13
	Einbau des Batteriemoduls (optionale Montageschienen erforderlich)	13
	Einbau der Batterie- und USV-Module (optionale Montageschienen erforderlich) ..	14
2.4	Kommunikationsanschlüsse	16
	Anschluß an RS232-Schnittstelle	16
	Kontaktbelegung der Relais-Schnittstelle.....	16
	Not-AUS-Vorrichtung	17
	Anschluß der Not-AUS-Steuerverbindung	17
	Einbau der Kommunikationskarten (Standard bei Version Network Pack, sonst Option).....	17
2.5	Installation in Abhängigkeit von der Netzform (Erdungssystem)	18
	USV mit gemeinsamer Einspeisung von Netz 1 (Gleichrichter)	18
	und Netz 2 (Bypass)	18
	USV mit getrennter Einspeisung von Netz 1 (Gleichrichter) und Netz 2 (Bypass)..	18
	USV mit getrennter Einspeisung von Netz 1 (Gleichrichter) und Netz 2 (Bypass) aus unterschiedlichen Netzen	19
	Frequenzwandler (ohne NRE-Zweig).....	19
	Standby-Redundanz.....	19
2.6	Empfohlene Schutzorgane und Leiterquerschnitte	20
	Netzseitige Absicherung	20
	Absicherung am USV-Ausgang	20
	Leiterquerschnitte	20
2.7	Anschluß der Leistungskabel am USV-Eingang und -Ausgang	21
	Anschluß einer USV mit gemeinsamer Einspeisung von Netz 1 (Gleichrichter) und Netz 2 (Bypass)	21
	Anschluß einer USV mit getrennter Einspeisung von Netz 1 (Gleichrichter) und Netz 2 (Bypass)	22
	Anschluß des Frequenzwandlers	23
	Anschluß der Batteriekabel.....	24
	Anschluß des Trenntransformators.....	24
	Anschluß des Hochleistungsladegeräts (CLA)	25

3. Betriebszustände

3.1	Erstinbetriebnahme	26
	Kundenspezifische Anpassung der USV	26
	Anpassung über das Bedien- und Anzeigefeld	26
	Anpassung über Software.....	27
3.2	Einschalten der USV	27
3.3	Betriebsarten	28
	Normalbetrieb (Doppelwandlerprinzip)	28
	ECO-Mode	28
3.4	Batteriebetrieb	29
	Umschaltung auf Batteriebetrieb	29
	Voralarm "Ende der Autonomiezeit"	29
	Abschaltung am Ende der Autonomiezeit	29
3.5	Rückkehr von Netz 1 (AC Normal)	29
3.6	Abschaltung der USV	30

4. Wartung und Service

4.1	Betriebsstörungen	31
4.2	Austausch des USV-Moduls	32
	Abschaltung und Lösen der Verbindungen	32
	Wiederanschluß des USV-Moduls	33
4.3	Austausch des Batteriemoduls	33
	Abschaltung und Lösen der Verbindungen	33
	Wiederanschluß des Batteriemoduls	33
4.4	Schulungszentrum	34

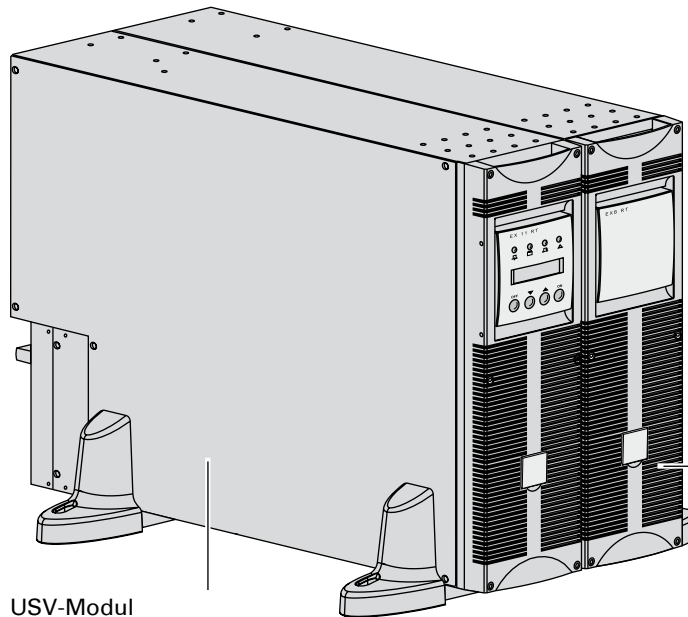
5. Anhang

5.1	Technische Kenndaten	35
	Elektrische Kenndaten	35
	Thermische Kenndaten	38
5.2	Fachbegriffe	38

1. Ansichten und Beschreibung

1.1 Aufstellungsarten

Tower-Modell



USV-Modul
(EX RT 5/7/11)

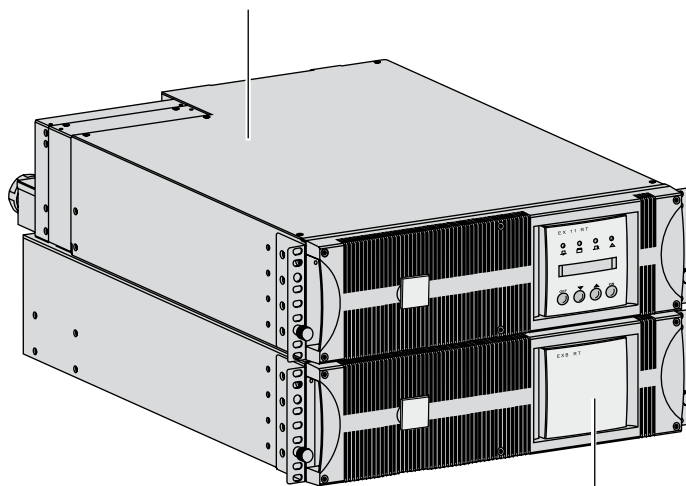
	Abmessungen in mm (H x B x T)
EX RT 5 EX RT 7 EX RT 11 EX RT EXB 7 EX RT EXB 11	444 x 131 x 635

	Gewicht in kg
EX RT 5 EX RT 7	22.5
EX RT 11	27.5
EX RT EXB 7	64.5
EX RT EXB 11	68.5

Batterieminodul
(EX RT EXB 7/11)

Rack-Modell

USV-Modul(EX RT 5/7/11)



	Abmessungen in mm (H x B x T)
EX RT 5 EX RT 7 EX RT 11 EX RT EXB 7 EX RT EXB 11	131 (3U) x 444 x 635

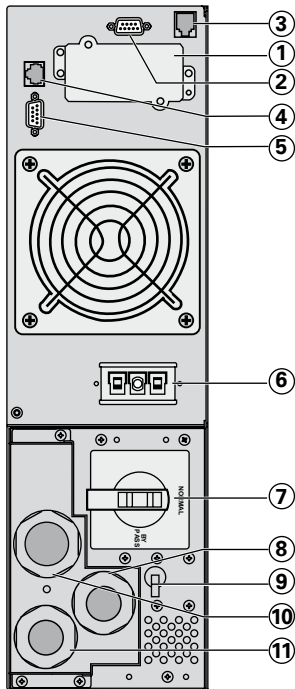
	Gewicht in kg
EX RT 5 EX RT 7	22.5
EX RT 11	27.5
EX RT EXB 7	64.5
EX RT EXB 11	68.5

Batterieminodul
(EX RT EXB 7/11)

1. Ansichten und Beschreibung

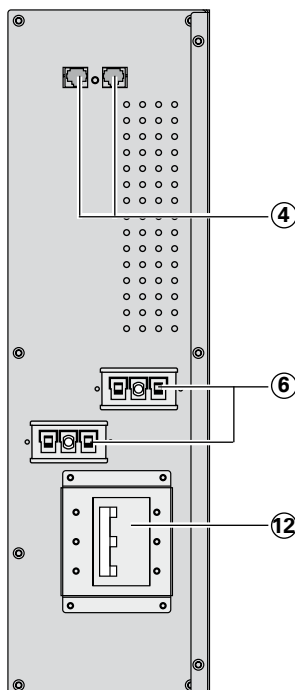
1.2 Rückansicht

USV-ModuleX RT 5/7/11



- ① Steckplatz für zusätzliche Kommunikationskarte.
- ② Schnittstelle der Relais-Kommunikationskarte.
- ③ Schnittstelle für Not-AUS per Fernbetätigung (REPO).
- ④ Anschluß für automatische Batteriemodulerkennung.
- ⑤ RS232-Schnittstelle.
- ⑥ Anschluß der Leistungsverbindungen USV/Batteriemodule.
- ⑦ Handumgehungsschalter.
- ⑧ Ausgangsklemmen für Verbraucheranschlüsse.
- ⑨ Eingangsschalter Netz 1 (AC Normal).
- ⑩ Anschlußklemmen Netz 1 (AC Normal).
- ⑪ Anschlußklemmen Netz 2 (AC Bypass).

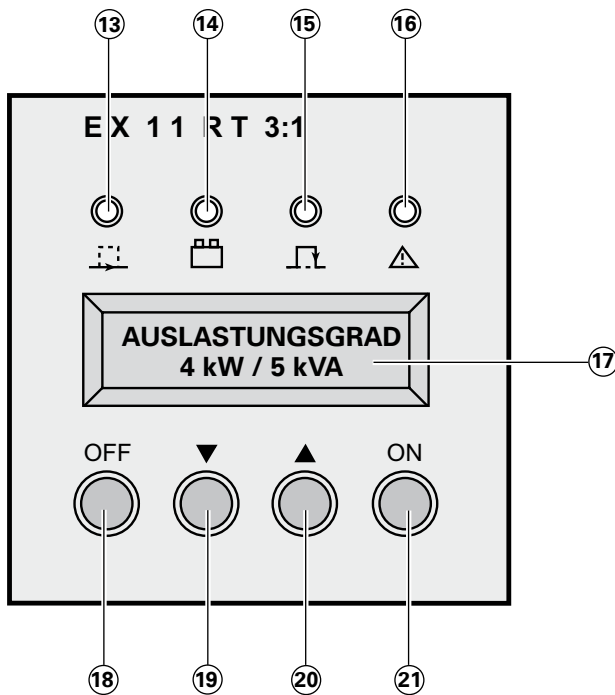
Batteriemodul EX RT EXB 7/11



- ④ Anschluß für automatische Batteriemodulerkennung.
- ⑥ Anschluß der Leistungsverbindungen USV/Batteriemodule.
- ⑫ Batterie-Leistungsschalter.

1. Ansichten und Beschreibung

1.3 Anzeige- und Bedienfeld

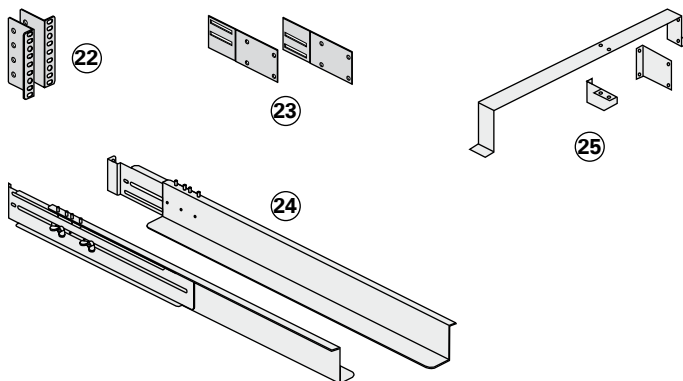


- ⑬ LED: Verbraucher geschützt.
- ⑭ LED: Batteriebetrieb.
- ⑮ LED: NRE-Betrieb.
- ⑯ LED: Störung.
- ⑰ Alphanumerische Anzeige.
- ⑱ Taster USV-AUS.
- ⑲ ⑳ Scrolltasten (aufwärts/abwärts).
- ㉑ Taster USV-EIN (bzw. Funktionstaste der Anzeige bei kundenspezifischer Anpassung).

1.4 Optionen

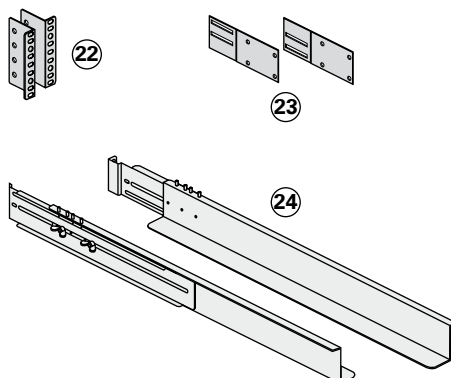
Montagematerial für Rackeinbau

Teleskopschienen und Schraubenmaterial für Einbau des USV-Moduls in 19"-Schränke
(Bestell-Nr. 68001)



- ㉒ Vordere Montagewinkel zur Befestigung des Moduls an den Seitenholmen des Schrank.
- ㉓ Rückseitige Befestigungsbleche für Transport des Moduls im Schrank.
- ㉔ Teleskopschienen (L = 639 bis 1005 mm) zur Abstützung des Moduls.
- ㉕ Montagesystem zur Befestigung des Anschlußmoduls.

Teleskopschienen und Schraubenmaterial für Einbau des Batteriemoduls in 19"-Schränke
(Bestell-Nr. 68002)

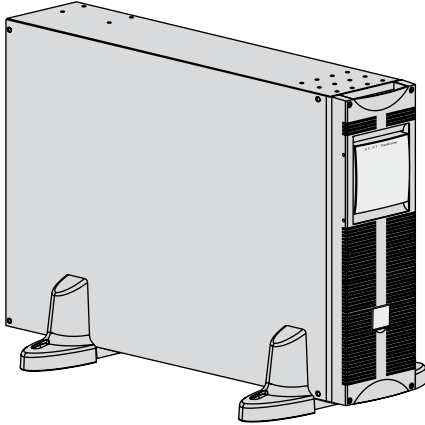


- ㉒ Vordere Montagewinkel zur Befestigung des Moduls an den Seitenholmen des Schrank.
- ㉓ Rückseitige Befestigungsbleche für Transport des Moduls im Schrank.
- ㉔ Teleskopschienen (L = 639 bis 1005 mm) zur Abstützung des Moduls.

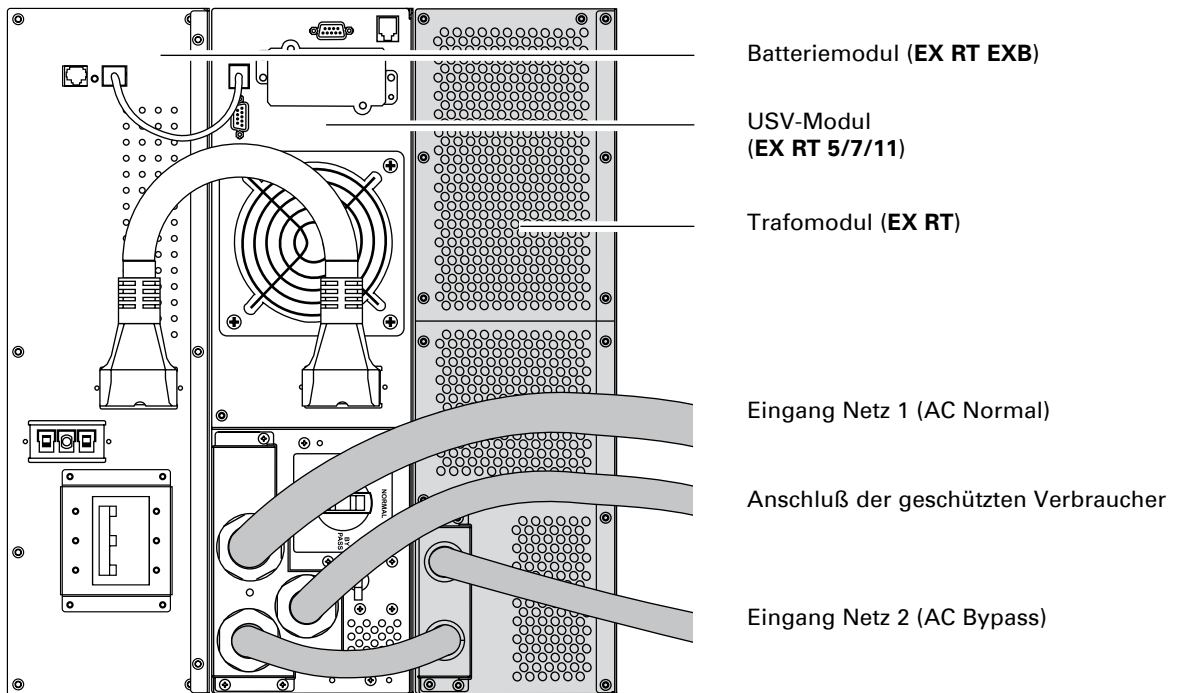
1. Ansichten und Beschreibung

Trenn- und Anpaßtransformator für unterschiedliche Netzformen (Bestell-Nr. 68003)

Dieses Modul ist zur Anpassung bei unterschiedlichen Netzformen auf Einspeise- und Abgangsseite der USV bzw. zur Erhöhung der Verfügbarkeit durch galvanische Trennung der Stromversorgung erforderlich.



Beispiel eines EX RT-Trafos zur galvanischen Trennung auf der Einspeiseite einer EX RT



Batteriemodul (EX RT EXB)

USV-Modul
(EX RT 5/7/11)

Trafomodul (EX RT)

Eingang Netz 1 (AC Normal)

Anschluß der geschützten Verbraucher

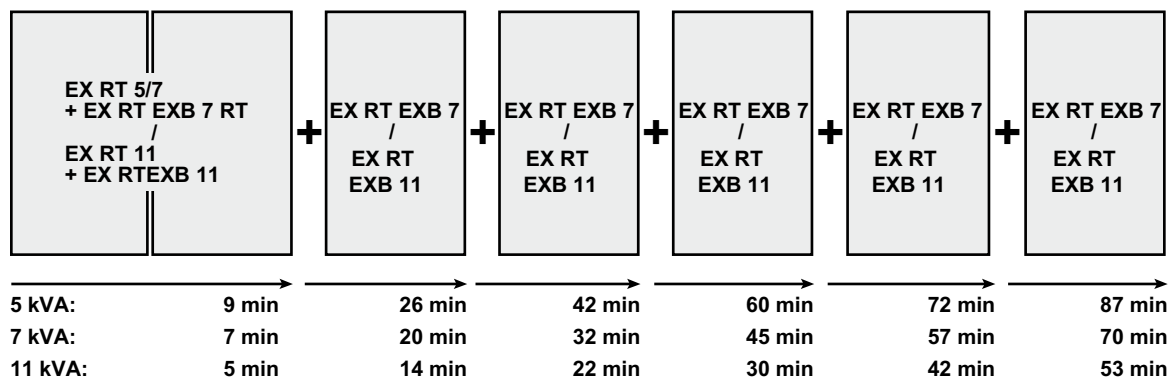
Eingang Netz 2 (AC Bypass)

1. Ansichten und Beschreibung

Batterie-Erweiterungsmodule für Autonomiezeiten bis zu 60 Minuten (bei Vollast)

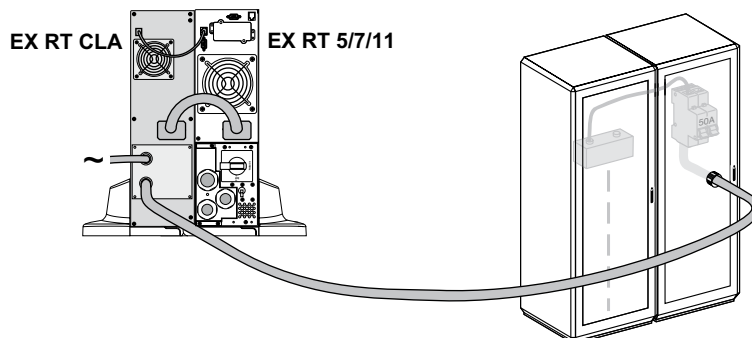
EX RT bietet standardmäßig eine Autonomiezeit von 5/9 Minuten bei Nennleistung.
Zur Erhöhung der Autonomiezeit können zusätzliche Erweiterungsmodule EX RT EXB 7/11 angeschlossen werden.

Batterie-Erweiterungsmodule für EX RT 5, EX RT 7 oder EX RT 11



CLA-Modul (Hochleistungsladegerät) für Autonomiezeiten von 2 bis 8 Stunden (Bestell-Nr. 68004)

Für sehr lange Autonomiezeiten (2 bis 8 Stunden bei Nennleistung) wird ein Hochleistungsladegerät vom Typ EX RT CLA benötigt.

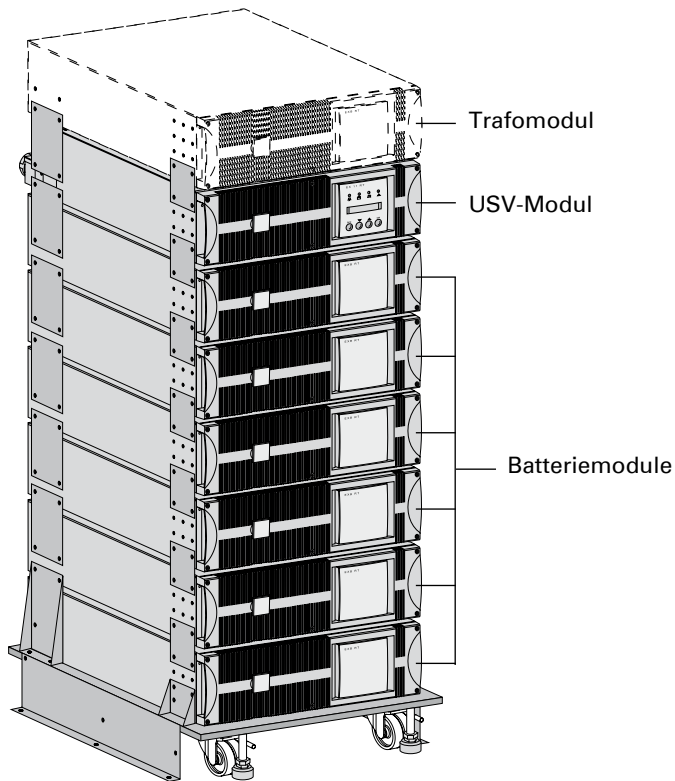


Autonomiezeit	Empfohlene Batteriekapazität		
	EX RT 5	EX RT 7	EX RT 11
2 Stunden	50 Ah	65 Ah	100 Ah
4 Stunden	100 Ah	130 Ah	200 Ah
8 Stunden	200 Ah	260 Ah	400 Ah

Batterie-Gesamtspannung: 240 V DC (20 x 12V DC).
Die Batteriekapazität muß an der USV eingestellt werden (Einstellung in Schritten von 5 Ah, siehe Abschnitt "Kundenspezifische Anpassung der USV").

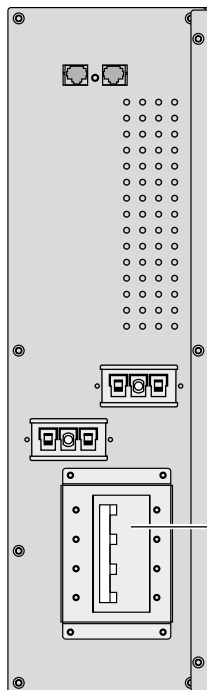
1. Ansichten und Beschreibung

Fahrbares Rahmengerüst für Einbau mehrerer Module (Bestell-Nr. 68005)



Das fahrbare Rahmengerüst erlaubt die Zusammenfassung von bis zu 8 Modulen, um USV-Systeme mit hohen Autonomiezeiten zu bilden. Die Module werden übereinander auf dem Gestell installiert, das einschließlich Gelenkrollen mit Feststellbremse, höhenverstellbaren Füßen, Vibrationsschutz-Seitenblechen, Verbindungsplatten zur Befestigung von je zwei aneinandergrenzenden Modulen sowie dem erforderlichen Schraubenmaterial geliefert wird.

Batteriemodul mit Not-AUS-Funktion (REPO)



Bestell-Nr.
EX RT EXB 7 EPO : 68079
EX RT EXB 11 EPO : 68119

⑫ Batterie-Leistungsschalter mit Fernauslöser für Not-AUS.

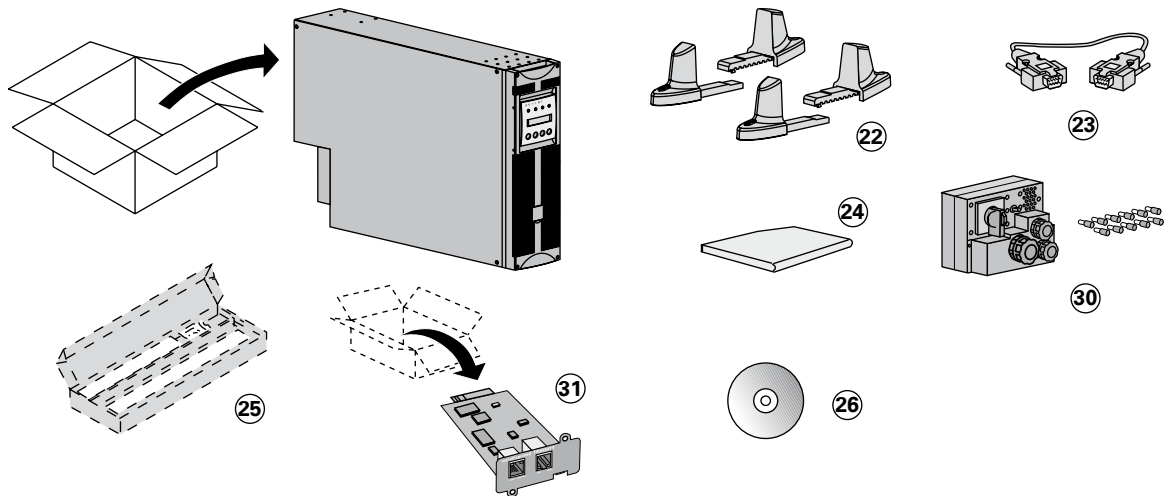
Langes Batterie-Verbindungskabel (L = 1,8 m; Bestell-Nr. 86006)

Dieses Verbindungskabel wird anstelle des normalen Batteriekabels verwendet, wenn die einzelnen Batteriemodule in größerem Abstand voneinander aufgestellt sind (z.B. in zwei verschiedenen Schränken).

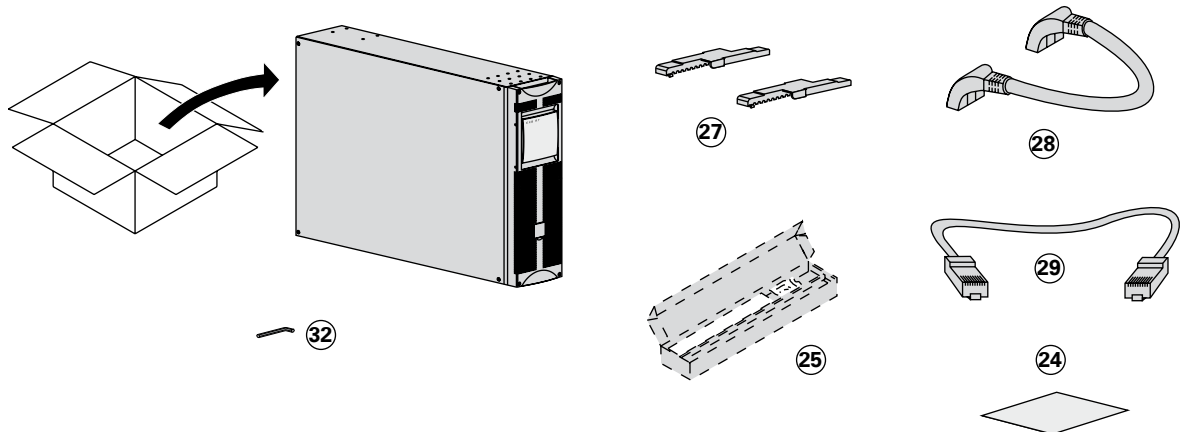
2. Aufstellung und Installation

2.1 Entfernen der Verpackung und Überprüfung des Lieferumfangs

USV-Modul



Batteriemodul



- | | |
|---|---|
| ②② Aufstellfüße. | ②⑦ Verlängerungen für Aufstellfüße. |
| ②③ RS232-Kommunikationskabel. | ②⑧ Batteriekabel. |
| ②④ Installations- und Bedienungsanleitung. | ②⑨ Kabel für automatische Batteriemodulerkennung. |
| ②⑤ Teleskopschienen und Schraubenmaterial für Einbau in 19"-Schränke (Standard bei Version Network Pack , sonst Option). | ③⑩ Abnehmbares Anschlußmodul für Ein- und Ausgangsanschlüsse, incl. 11 Aderendhülsen. |
| ②⑥ CD ROM mit USV-Software Solution-Pac . | ③① Netzwerkkarte (Standard bei Network Pack , sonst Option). |
| | ③② Innensechskantschlüssel. |



Das Verpackungsmaterial muß gemäß den geltenden Vorschriften entsorgt werden. Um eine Trennung zu erleichtern, sind die Verpackungsmaterialien mit den entsprechenden Recyclingsymbolen gekennzeichnet.



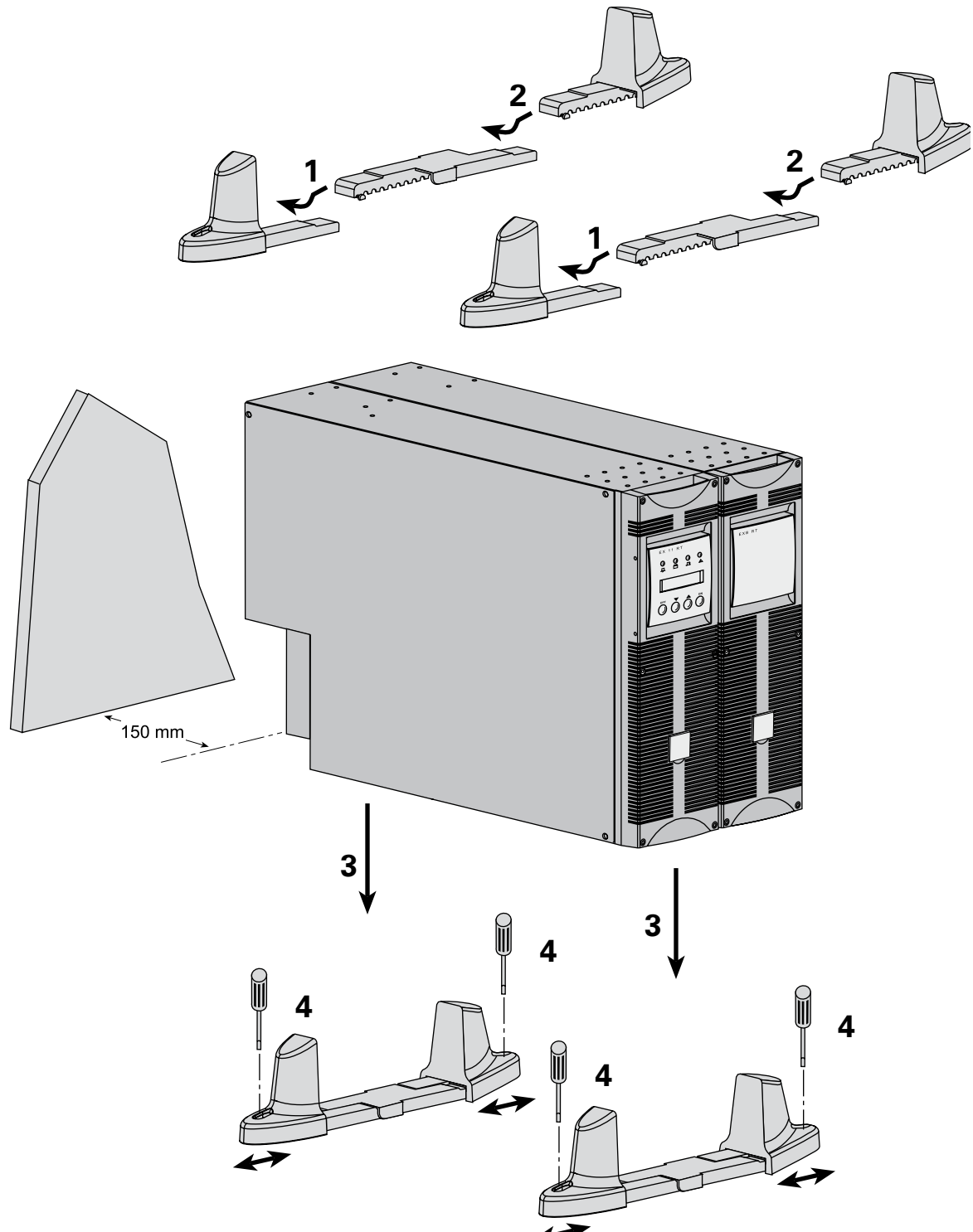
Im Inneren des Leistungsmoduls und des Batteriemoduls besteht eine gefährliche Spannung. Eingriffe auf diesen Modulen dürfen nur von Fachpersonal ausgeführt werden.

2. Aufstellung und Installation

2.2 Aufstellung des Tower-Modells



Zum Zusammenbau der Aufstellfüße mitgelieferte Zwischenstücke verwenden.



Zur vertikalen Ausrichtung der FüÙe Schritte 1 bis 4 befolgen.



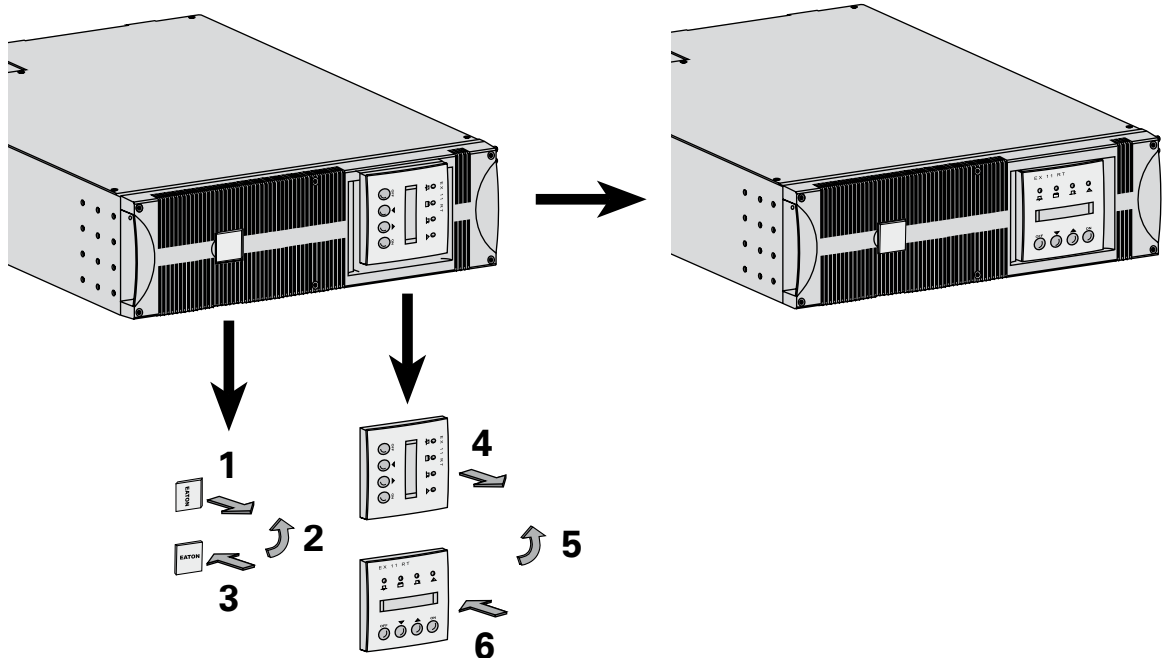
Achten Sie darauf, an der Rückseite der USV einen Abstand von 150 mm zu lassen. Der Abstand zwischen den zwei Paar AufstellfüÙen muss 450 mm betragen.

2. Aufstellung und Installation

2.3 Einbau des Rack-Modells

Es empfiehlt sich, zunächst das Batteriemodul und anschließend das USV-Modul darüber einzubauen.

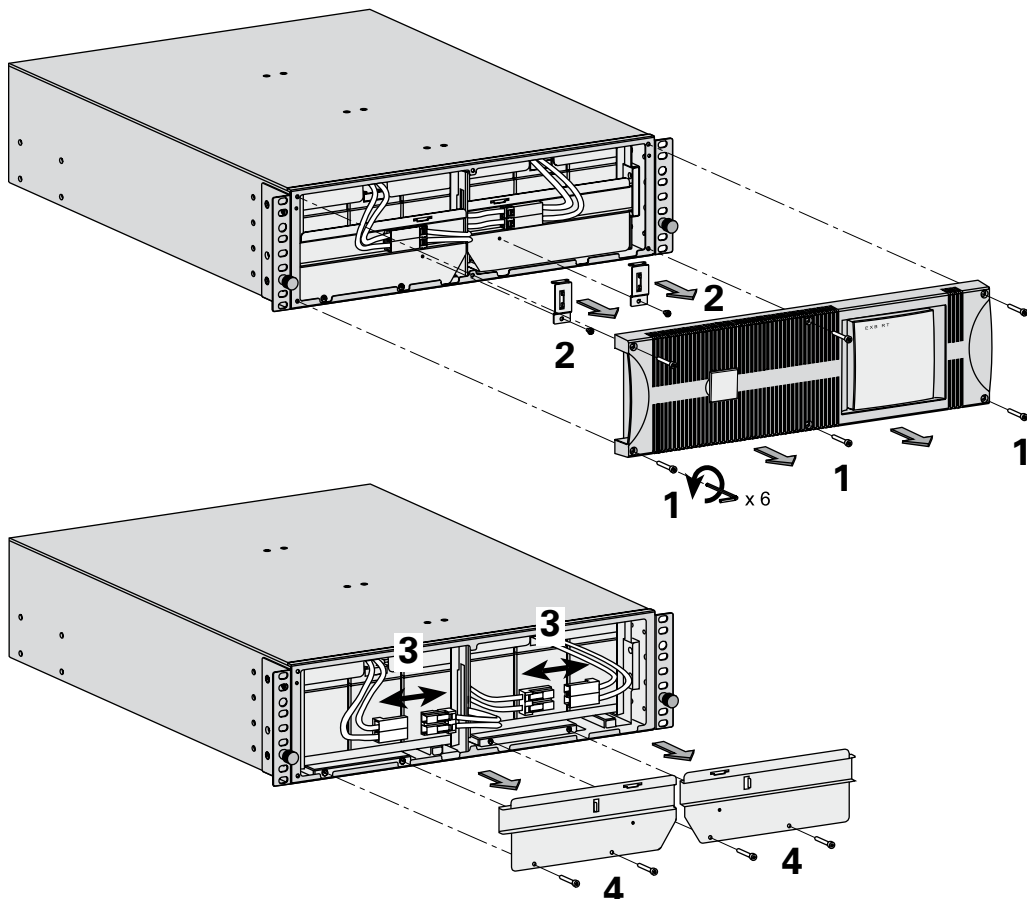
Drehen des Firmenschildes und des Bedien- und Anzeigefelds



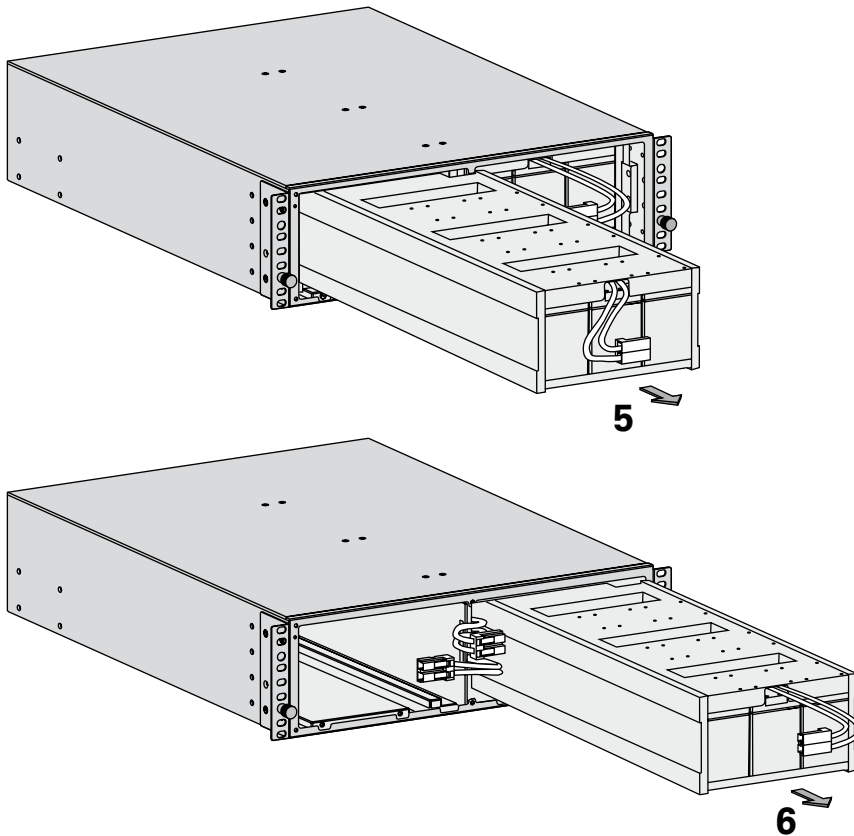
Einbau des Batteriemoduls (optional erhältliche Montageschienen erforderlich; Bestell-Nr. 68006)



Das Batteriemodul ist sehr schwer. Zur leichteren Handhabung empfiehlt es sich, die Batterieelemente wie nachstehend abgebildet für die Dauer der Montage herauszunehmen.



2. Aufstellung und Installation

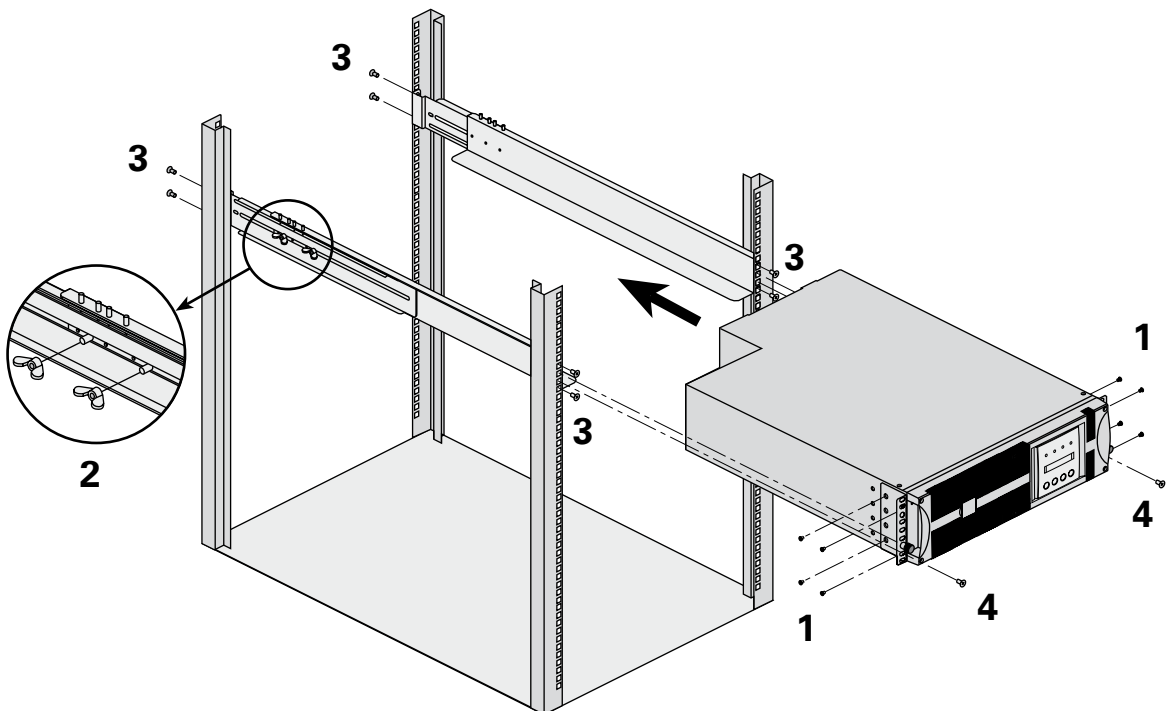


Einbau des USV-Moduls und des Batteriemoduls

(optional erhältliche Montageschienen erforderlich; Bestell-Nr. 68001)



Zur Befestigung des Moduls auf den Schienen Schritte 1 bis 4 befolgen.



Die Schienen und das benötigte Montagematerial werden von EATON geliefert.

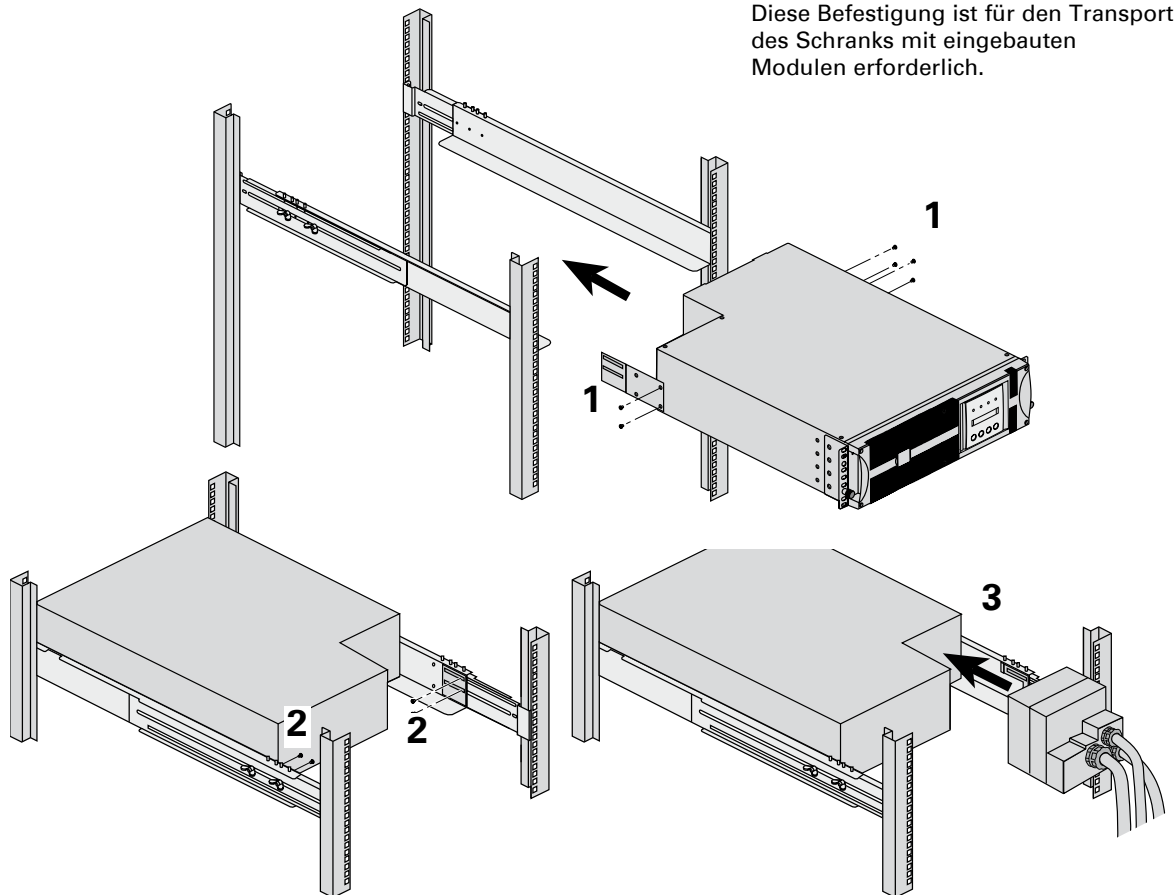
Hinweis zu Schritt 1: Die vorderen Befestigungswinkel können in mehreren Positionen montiert werden.

2. Aufstellung und Installation

Hinteres Befestigungssystem (im Befestigungsmaterial der Module enthalten; Bestell-Nr. 68001 und 68002)



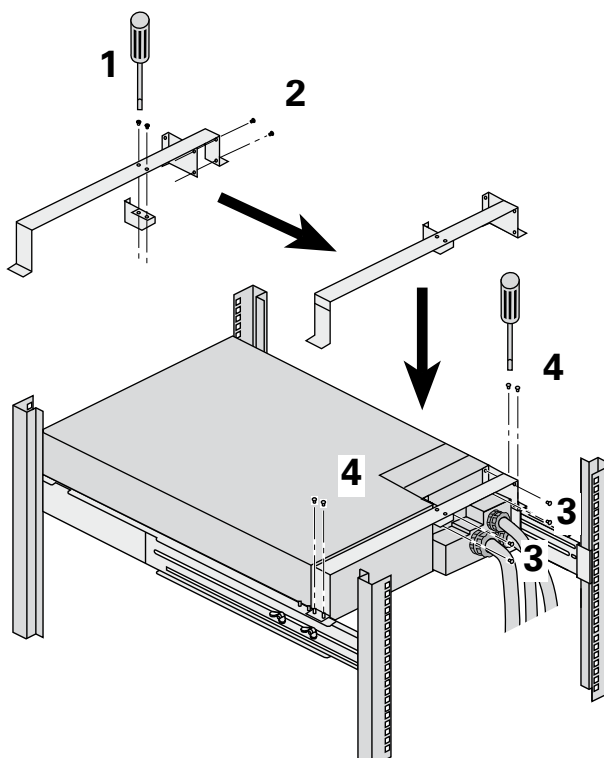
Diese Befestigung ist für den Transport des Schrankes mit eingebauten Modulen erforderlich.



Befestigungssystem für das abnehmbare Anschlußmodul (im Befestigungsmaterial des USV-Moduls enthalten; Bestell-Nr. 68001)



Dieses Befestigungssystem fixiert das Anschlußmodul im Schrank auch wenn die USV entfernt wird. Die angeschlossenen Verbraucher werden weiterversorgt. Anschließend läßt sich die USV wieder leicht in das Anschlußmodul einstecken.



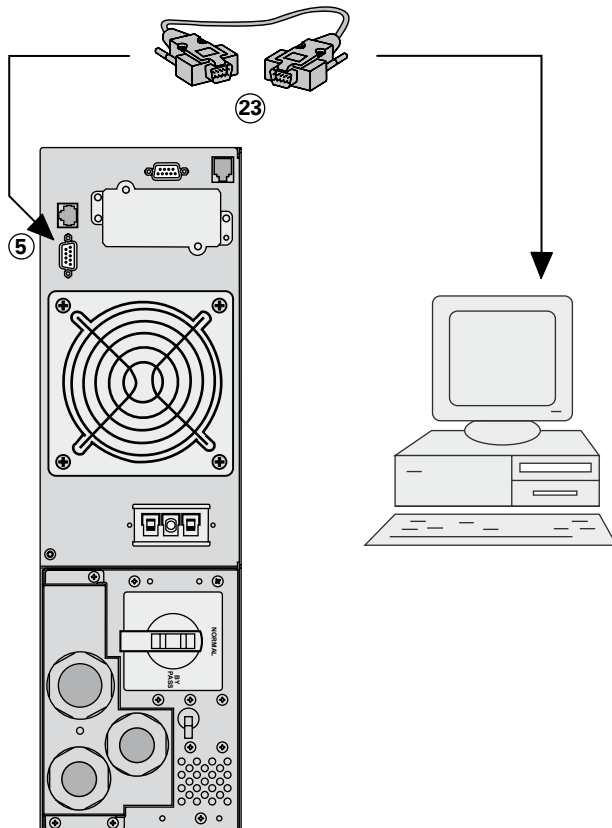
2. Aufstellung und Installation

2.4 Kommunikationsanschlüsse

EX RT bietet drei Kommunikationsverbindungen, die gleichzeitig genutzt werden können:

- Die Schnittstelle COM (5) steht für eine RS232-Verbindung mit eigenem SHUT-Protokoll von EATON zur Verfügung. Diese Protokoll ist mit der auf CD-ROM mitgelieferten USV-Software **Solution Pac** kompatibel.
- Die Relaischnittstelle (2) wird für wichtige Meldenfunktionen oder zum Schutz von IT-Systemen wie IBM iSeries (vormals AS400) o.ä. genutzt.
- Der Steckplatz (1) kann alle von EATON angebotenen Kommunikationskarten aufnehmen (vollständige Liste der kompatiblen Karten siehe Internet: www.eaton.com).

Anschluß an RS232-Schnittstelle

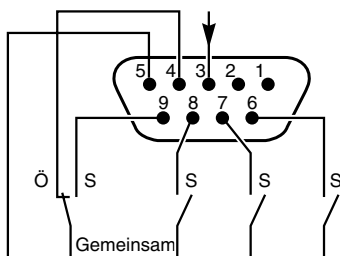


1 - RS 232-Kommunikationskabel (23) an die serielle Schnittstelle des Computers anschließen.

2 - Das andere Ende des Kabels (23) an die RS232-Schnittstelle (5) der USV anschließen.

Die USV kann nun mit der Konfigurations- und Überwachungssoftware von EATON (mitgeliefert auf CD-ROM) kommunizieren.

Kontaktbelegung der Relais-Schnittstelle (2)



- Pin 1, 2 : unbenutzt.
 - Pin 3 : Fernabschaltung (5 bis 27 V DC, max. 10 mA).
 - Pin 4 : Netz vorhanden (kein Batteriebetrieb),
 - Pin 5 : gemeinsamer Rückleiter.
 - Pin 6 : NRE-Betrieb.
 - Pin 7 : Voralarm "Ende der Autonomiezeit".
 - Pin 8 : Verbraucher geschützt.
 - Pin 9 : Batteriebetrieb.
- S : Schließer.
Ö : Öffner.

Bei aktivem Signalzustand ist der Kontakt zwischen dem entsprechenden Pin und dem gemeinsamen Rückleiter 5 geschlossen.

Kennwerte der Relaiskontakte

- Spannung : max. 48 V DC,
- Strom : max. 2 A,
- Leistung : 62,5 VA / 30 W.

Beispiel : Bei einer Spannung von 48 V DC beträgt der maximale Strom 625 mA.

2. Aufstellung und Installation

Not-AUS-Vorrichtung

Die Installation einer Not-Aus-Vorrichtung muss in Übereinstimmung mit den gelten Normen erfolgen.

Um eine vollständige Unterbrechung der Spannungsversorgung der Anlage und des **EX RT** durch Betätigung der Not-Aus-Vorrichtung zu gewährleisten, ist es erforderlich:

- Einen Taster mit Rastfunktion zu benutzen (der S- oder Ö-Kontakt muss mehr als eine Sekunde gehalten werden, um berücksichtigt zu werden),
- Das (die) Batteriemodul(e) **EX RT EXB EPO** zu benutzen.
- An den Taster mit Rastfunktion eine einzige Vorrichtung anzuschließen, die das Öffnen des (der) **vor** AC NORMAL und AC BY PASS ⁽¹⁾ und **hinter** ⁽²⁾ **EX RT** befindlichen Leistungsschalter durch den Einsatz zusätzlicher Arbeitsstromauslöser MX ermöglicht.

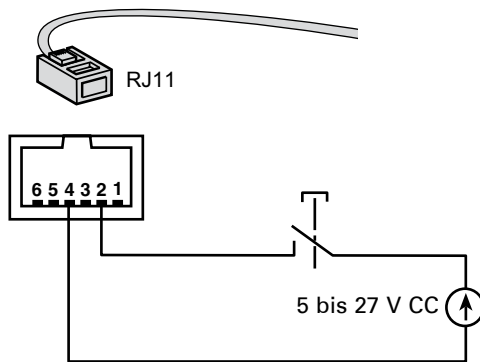
(1) Andernfalls kehrt die Spannung über den AC BY PASS zurück, wenn der Not-Aus-Kontakt losgelassen wird.

(2) Andernfalls bleibt die Spannung einige Sekunden nach Auslösen der Not-Aus-Vorrichtung am Ausgang stehen.

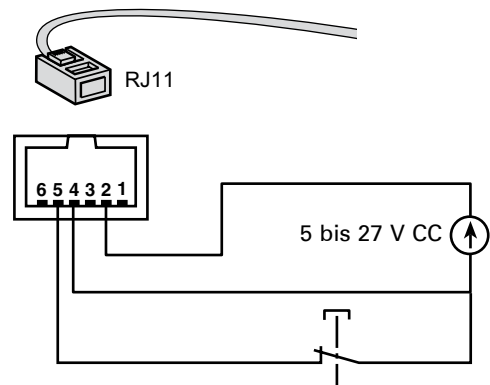
Anschluß der Not-AUS-Verbindung ③

Dieser Anschluß wird gemeinsam mit dem EPO-Batteriemodul benutzt und erlaubt eine vollständige Trennung sämtlicher an die USV angeschlossenen Spannungsquellen im Falle eines Not-AUS-Befehls (Verbindungskabel nicht mitgeliefert).

Not-Aus-Kontakt als Schließer

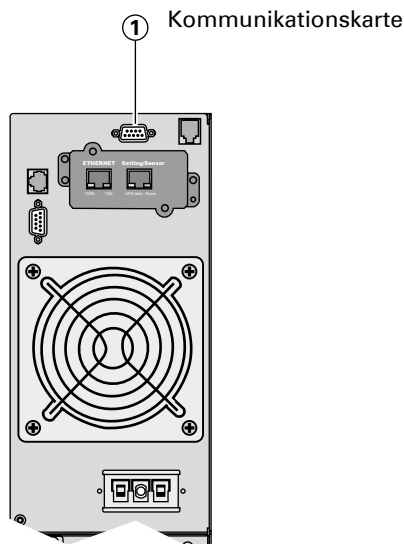


Not-Aus-Kontakt als Öffner



- Erforderliches Signal:
 - Versorgungsspannung : 5 bis 27 V CC.
 - Strom : max. 10 mA.

Einbau der Kommunikationskarten (Standard bei Version **Network Pack**, sonst Option)



Die Kommunikationskarten können bei eingeschalteter USV eingebaut werden.

1 - Abdeckung entfernen (2 Befestigungsschrauben).

2 - Kommunikationskarte ① in zugehörigen Steckplatz einstecken.

3 - Karte an der USV-Rückwand mit den 2 Schrauben befestigen.

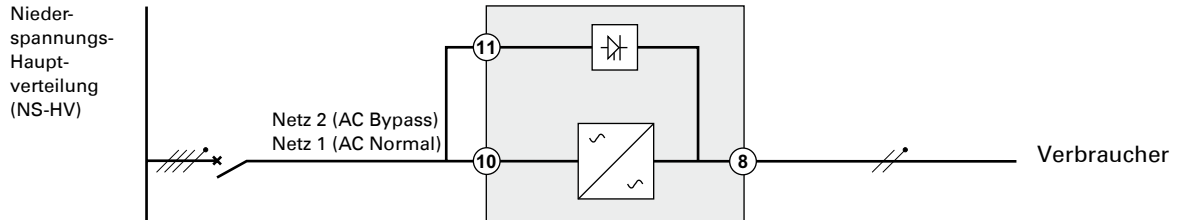
2. Aufstellung und Installation

2.5 Installation in Abhängigkeit von der Netzform (Erdungssystem)

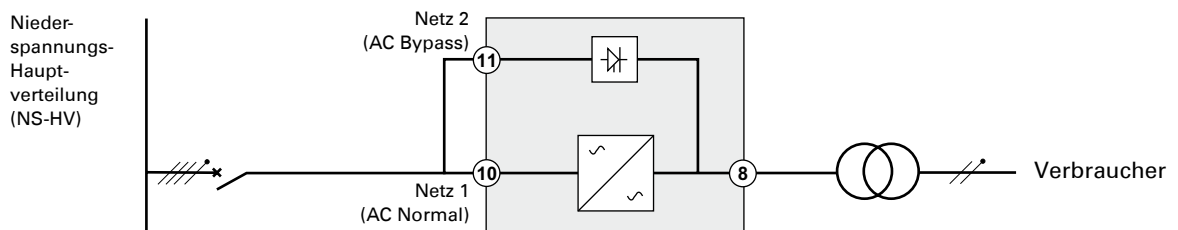


Die EX RT benötigt an ihrem Eingang einen dreiphasigen Netzanschluß mit Neutralleiter.

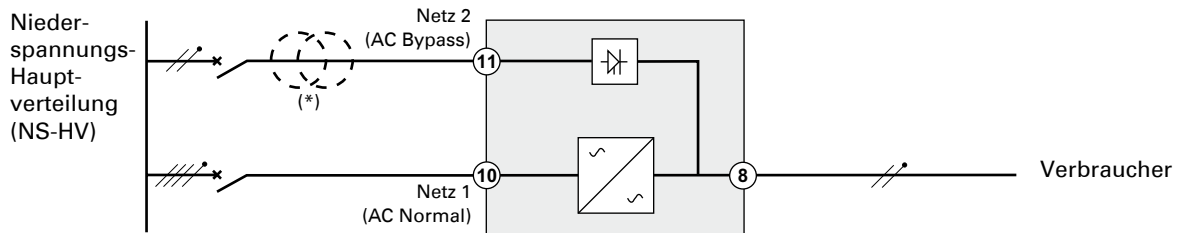
USV mit gemeinsamer Einspeisung von Netz 1 (Gleichrichter) und Netz 2 (Bypass)



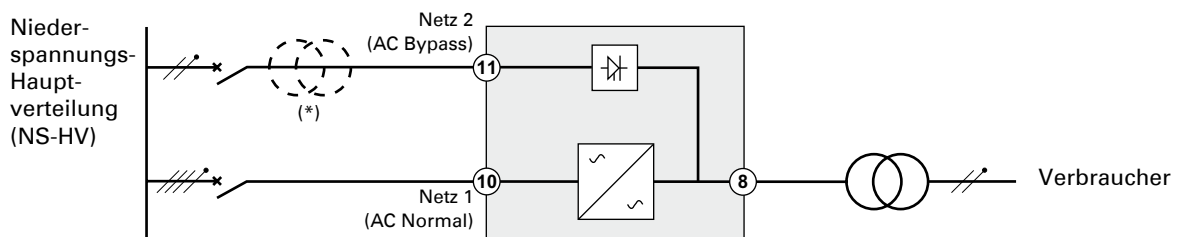
Abweichende Netzformen auf Einspeise- und Abgangsseite oder galvanische Trennung



USV mit getrennter Einspeisung von Netz 1 (Gleichrichter) und Netz 2 (Bypass)



Abweichende Netzformen auf Einspeise- und Abgangsseite oder galvanische Trennung

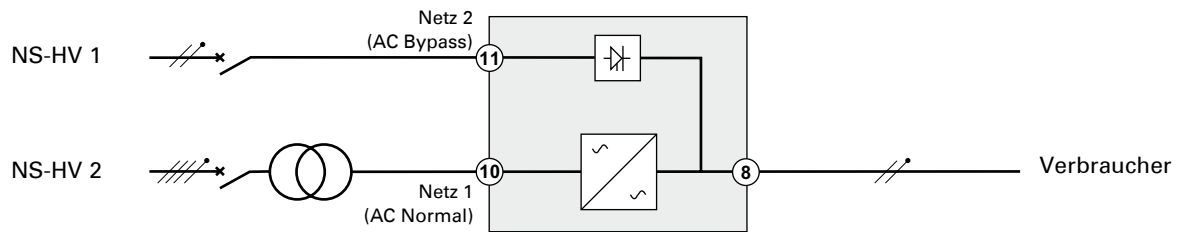


(*): Der Trafo ist in folgenden Fällen nicht erforderlich:

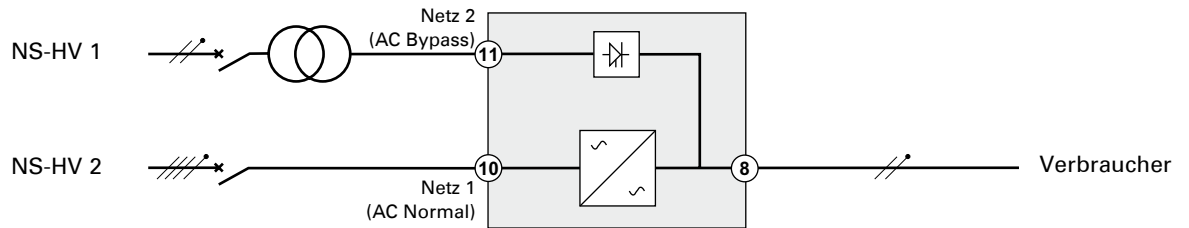
- Netz 1 und Netz 2 aus der gleichen Hauptverteilung,
- und gleiche Leiterquerschnitte und Länge der Eingangskabel von Netz 1 und Netz 2,
- und Schutz von Netz 1 und Netz 2 durch den gleichen FI-Schutzschalter.

2. Aufstellung und Installation

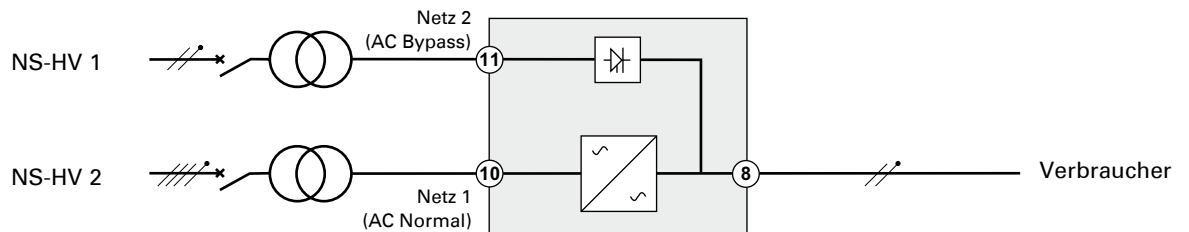
USV mit getrennter Einspeisung von Netz 1 (Gleichrichter) und Netz 2 (Bypass) aus unterschiedlichen Netzen



oder

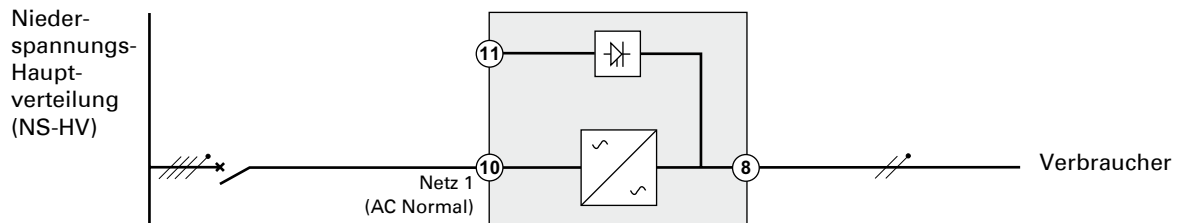


Abweichende Netzformen auf Einspeise- und AbgangeSeite oder galvanische Trennung



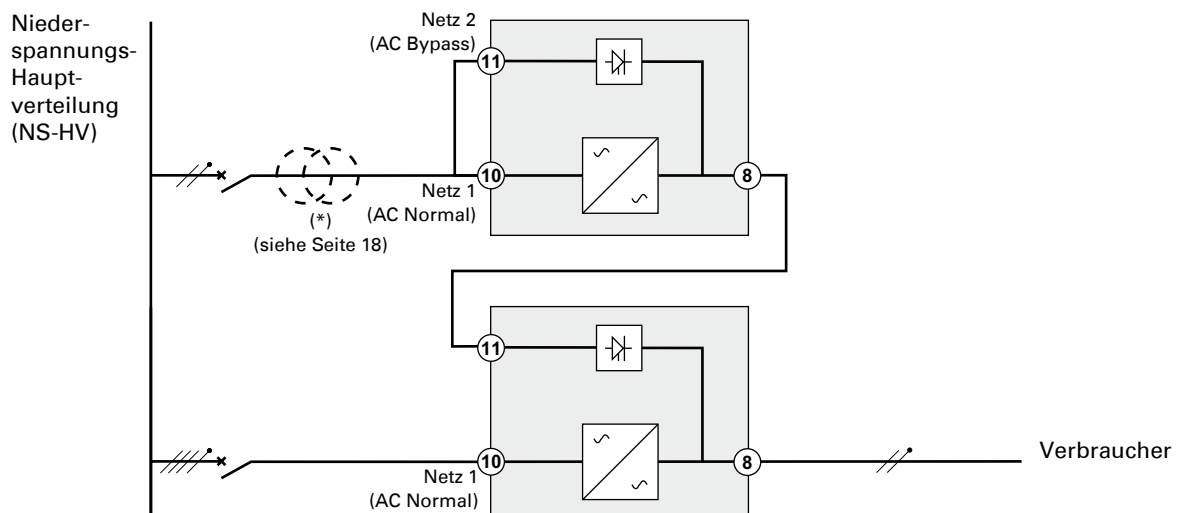
Frequenzwandler (ohne NRE-Zweig)

Anlagenkonfiguration bei abweichender Eingangs- und Ausgangsfrequenz (Beispiel: USV in Schiffsnetzen)



Standby-Redundanz

Konfiguration für N+1 Redundanz.



2. Aufstellung und Installation

2.6 Empfohlene Schutzorgane und Leiterquerschnitte

Netzseitige Absicherung

USV-Nennleistung	USV mit gemeinsamer Einspeisung Eingangsschalter Netz 1/2 AC Normal / AC Bypass	USV mit getrennter Einspeisung	
		Eingangsschalter Netz 1 AC Normal	Eingangsschalter Netz 2 AC Bypass
5 kVA	40 A, D-Kurve	32 A, C-Kurve	40 A, D-Kurve
7 kVA	40 A, D-Kurve	32 A, C-Kurve	40 A, D-Kurve
11 kVA	63 A, D-Kurve	40 A, C-Kurve	63 A, D-Kurve



Hinweis: Die prinzipiellen Daten der Ein- und Ausgangsabsicherungen sowie die Auslösekurven der internen Sicherungen und die Eingangsströme bei USV-Überlast können den Diagrammen und Tabellen in Abschnitt 5.1 entnommen werden.

Absicherung am USV-Ausgang

USV-Nennleistung	Sicherungsautomat
5 kVA	Z-Kurve - 10 A
	C-Kurve - 4 A
7 kVA	Z-Kurve - 10 A
	C-Kurve - 4 A
11 kVA	Z-Kurve - 10 A
	C-Kurve - 6 A

Die angegebenen Absicherungen gewährleisten die Selektivität jedes USV-Abgangs unabhängig davon, ob die Einspeisung aus Netz 1 oder Netz 2 erfolgt. Bei Nichteinhaltung dieser Empfehlungen ist der Selektivschutz nicht gewährleistet, und es kann zur Unterbrechung der Stromversorgung der angeschlossenen Verbraucher kommen.



Hinweis: Die prinzipiellen Daten der Ein- und Ausgangsabsicherungen sowie die Auslösekurven der internen Sicherungen und die Eingangsströme bei USV-Überlast können den Diagrammen und Tabellen in Abschnitt 5.1 entnommen werden.

Leiterquerschnitte

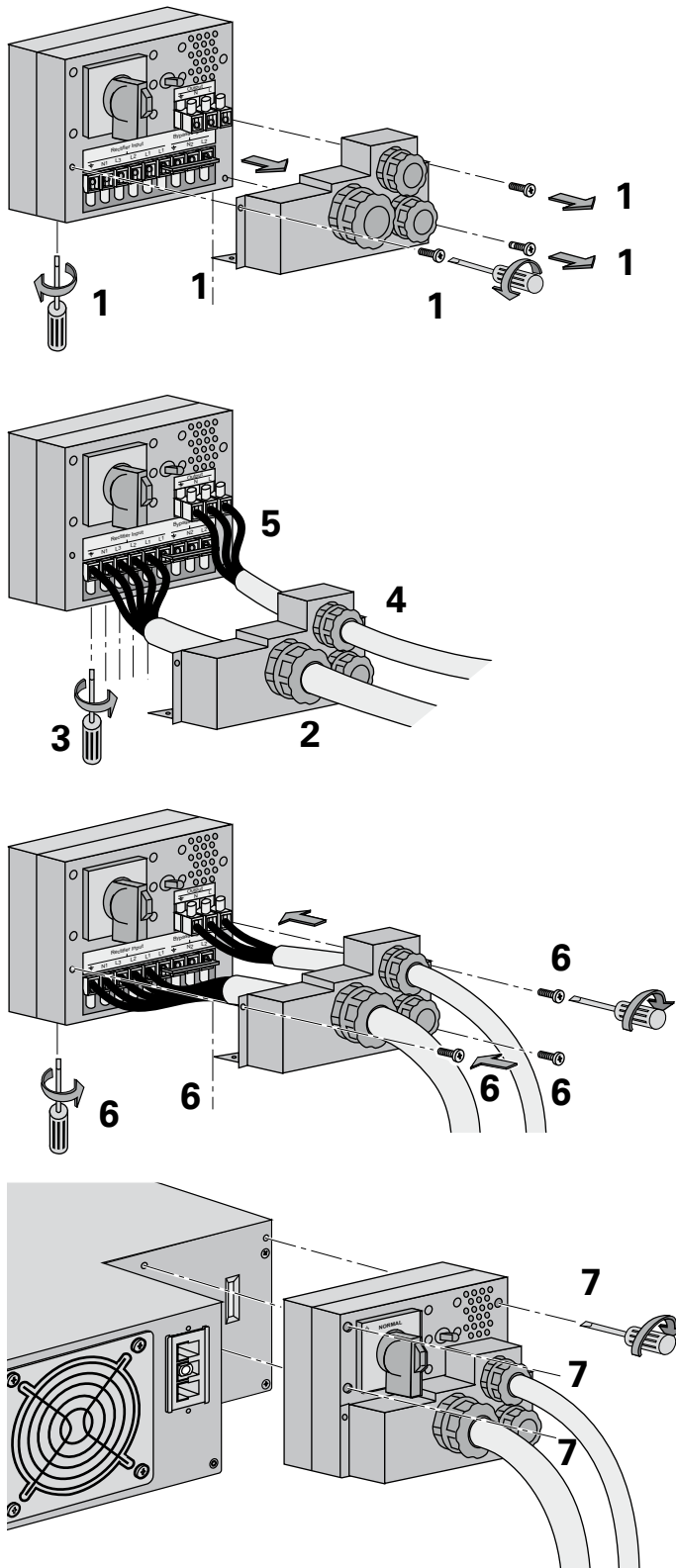
- Leiterquerschnitte der Anschlußklemmen: 10 mm², starres oder flexibles Kabel (max. 13 mm² oder AWG 6).
- Leiterquerschnitt des Erdungskabels: 10 mm², starres oder flexibles Kabel (max. 13 mm² oder AWG 6).

2. Aufstellung und Installation

2.7 Anschluß der Leistungskabel am USV-Eingang und -Ausgang

- Die Anschlüsse müssen durch qualifiziertes Fachpersonal ausgeführt werden.
- Vor Ausführung der Anschlüsse ist sicherzustellen, daß der Batterie-Leitungsschalter (12) und die Sicherungsautomaten am USV-Zuleitung (Netz 1 und Netz 2) ausgeschaltet sind (Stellung "0").
- Bei Auslieferung der **EX RT** sind die Eingänge für Netz 1 (AC Normal) und Netz 2 (AC Bypass) durch ein Kabel am Klemmenblock gebrückt.
- Bei flexiblen Kabeln die im Lieferumfang des Anschlußmoduls enthaltenen Kabelendhülsen verwenden.

Anschluß einer USV mit gemeinsamer Einspeisung von Netz 1 (Gleichrichter) und Netz 2 (Bypass)



Zugang zu den Anschlüssen siehe Abschnitt 1.2 "Rückansicht".

1 - Klemmenabdeckung entfernen (5 Befestigungsschrauben),

2 - Eingangskabel für Netz 1 (Gleichrichter) durch die Stopfbuchse führen.

3 - Die 5 Adern an die Klemmen für Netz 1 anschließen (AC Normal).



Erdungsleiter unbedingt zuerst anschließen.

4 - Verbraucher-Anschlußkabel durch die Stopfbuchse führen.

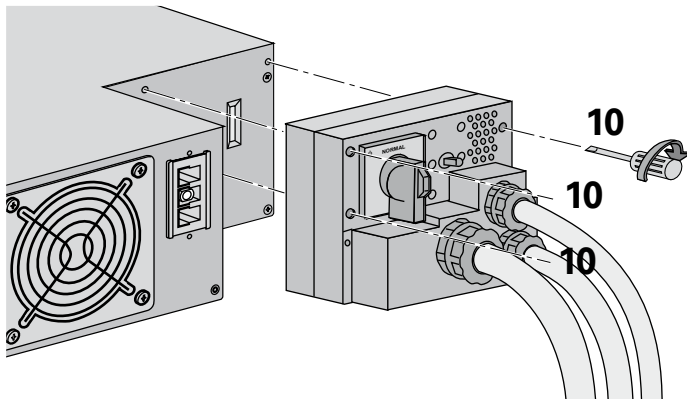
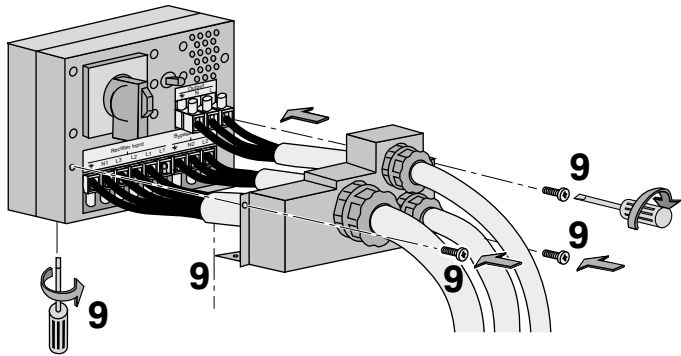
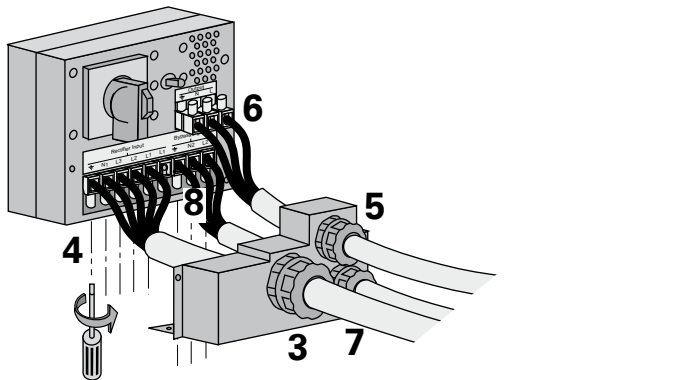
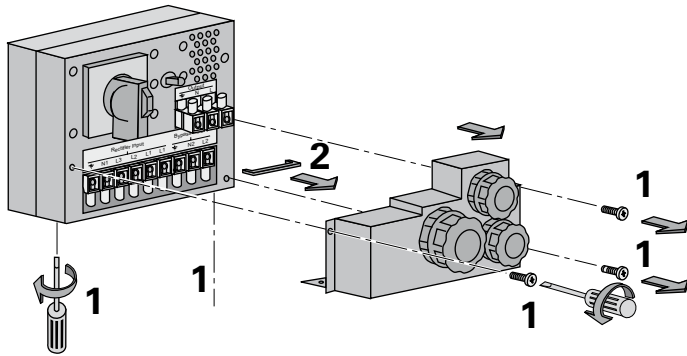
5 - Die 3 Adern an die Ausgangsklemmen anschließen.

6 - Klemmenabdeckung wieder anbringen und Stopfbuchsen festziehen.

7 - Anschlußmodul an der Rückseite des USV-Moduls mit 3 Schrauben befestigen.

2. Aufstellung und Installation

Anschluß einer USV mit getrennter Einspeisung von Netz 1 (Gleichrichter) und Netz 2 (Bypass)



- 1 - Klemmenabdeckung entfernen (5 Befestigungsschrauben),
- 2 - Kabelbrücke zwischen den Klemmen L2 und L1 entfernen.
- 3 - Eingangskabel für Netz 1 (Gleichrichter) durch die Stopfbuchse führen.
- 4 - Die 5 Adern an die Klemmen für Netz 1 (AC Normal) anschließen .

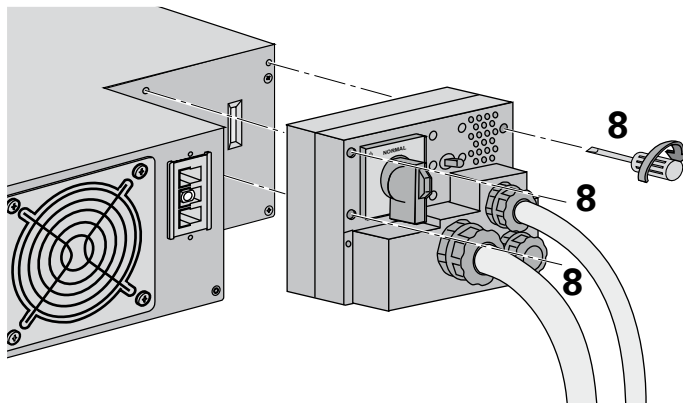
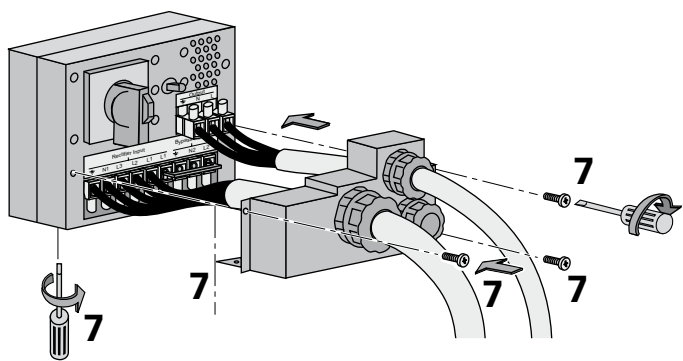
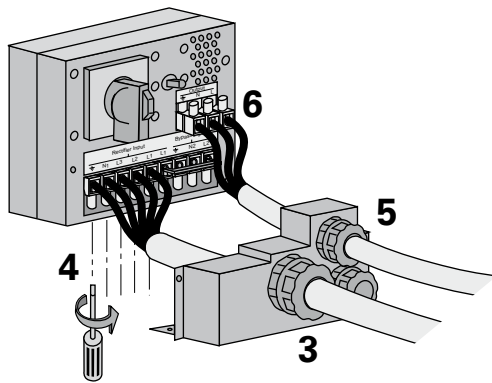
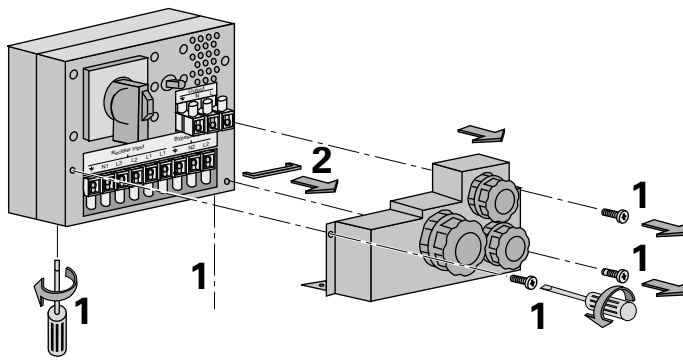


Erdungsleiter unbedingt zuerst anschließen.

- 5 - Verbraucher-Anschlußkabel durch die Stopfbuchse führen.
- 6 - Die 3 Adern an die Ausgangsklemmen anschließen.
- 7 - Eingangskabel für Netz 2 (Bypass) durch die Stopfbuchse führen.
- 8 - Die 3 Adern an die Klemmen für Netz 2 (AC Bypass) anschließen.
- 9 - Klemmenabdeckung wieder anbringen und Stopfbuchsen festziehen.
- 10 - Anschlußmodul an der Rückseite des USV-Moduls mit 3 Schrauben befestigen.

2. Aufstellung und Installation

Anschluß des Frequenzwandlers



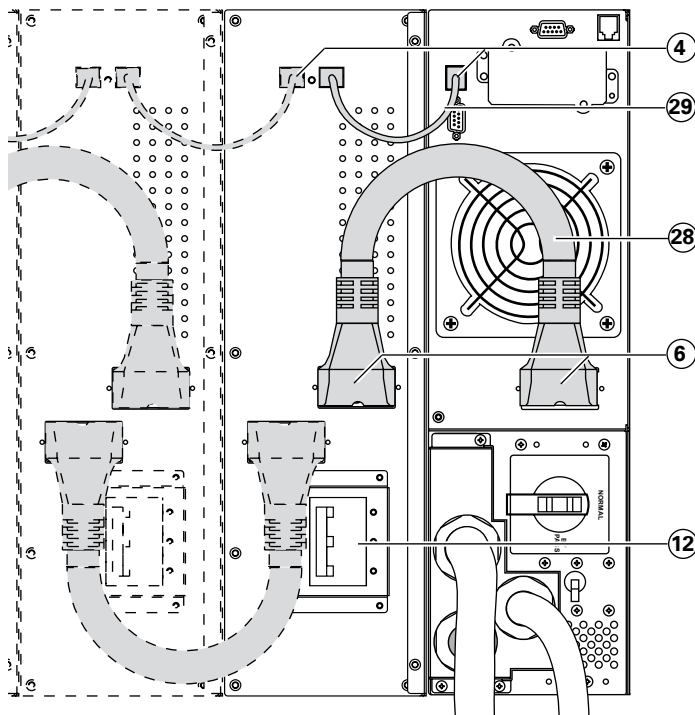
Erdungsleiter unbedingt zuerst anschließen.



Keine Anschlüsse an den Klemmen für Netz 2 (AC Bypass) vornehmen.

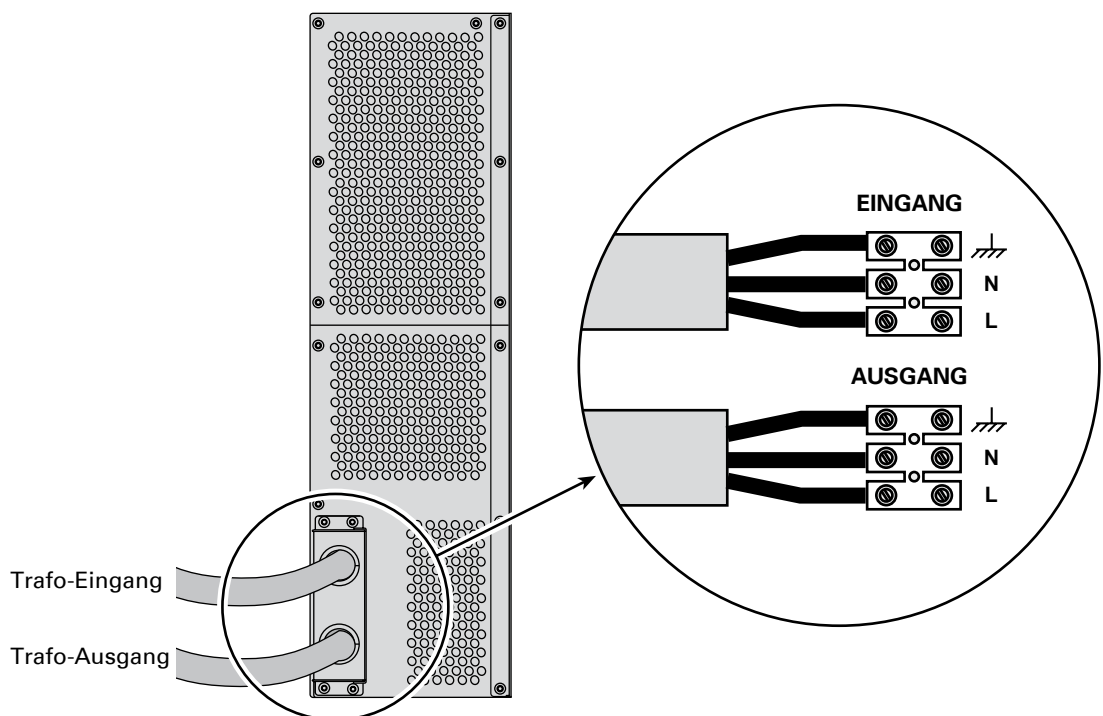
2. Aufstellung und Installation

Anschluß der Batteriekabel



- 1 - Der Batterie-Leistungsschalter (12) muß ausgeschaltet sein (Stellung "0").
- 2 - Batteriekabel (28) an die Steckverbinder (6) des USV-Moduls und des Batteriemoduls anschließen und festschrauben.
- 3 - Kabel (29) zur automatischen Batterieerkennung an die Steckverbinder (4) des USV-Moduls und des Batteriemoduls anschließen.

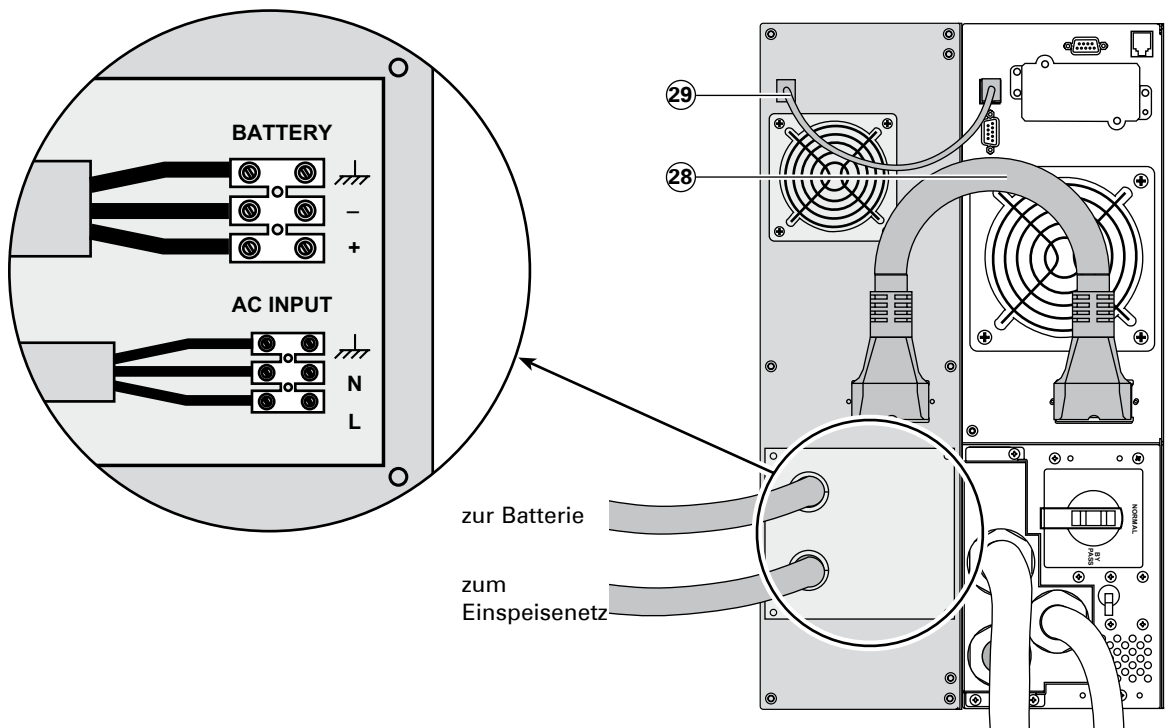
Anschluß des Trenntransformators



- Leiterquerschnitt des Ausgangskabels (nicht im Lieferumfang enthalten): 10 mm², starres oder flexibles Kabel (max. 13 mm² oder AWG 6).
- Leiterquerschnitt des Eingangskabels (nicht im Lieferumfang enthalten): 10 mm², starres oder flexibles Kabel (max. 13 mm² oder AWG 6).

2. Aufstellung und Installation

Anschluß des CLA-Moduls (Hochleistungs-ladegerät)



- Im Lieferumfang des Ladegeräts enthaltenes Batteriekabel (28) zwischen USV und CLA-Modul anschließen.
- Im Lieferumfang des Ladegeräts enthaltenes Batterieerkennungskabel (29) zwischen USV und CLA-Modul anschließen.
- Batterie anschließen:
 - Leiterquerschnitt (Kabel nicht mitgeliefert): 10 mm², starres oder flexibles Kabel (max. 13 mm² oder AWG 6).
- Zur Kabelabsicherung Schutzschalter (50 A, B-Kurve) verwenden.
- Stromversorgungskabel des CLA-Moduls netzseitig anschließen:
 - Leiterquerschnitt des Eingangskabels (nicht mitgeliefert): 2,5 mm².
- Zur Kabelabsicherung Schutzschalter (10 A, C-Kurve) verwenden.

3. Betriebszustände

3.1 Erstinbetriebnahme



Der Handumgehungsschalter **7** muß in der Stellung "Normal" stehen.

Eingangsschalter für Normaleinspeisung **9** einschalten (Stellung "I").

Batterie-Leistungsschalter **12** einschalten (Stellung "I").

Die angeschlossenen Verbraucher werden über Netz 2 (NRE-Zweig) versorgt und sind nicht durch die USV geschützt. Die Batterie wird geladen. Zum Erreichen der Nenn-Autonomiezeit ist eine Ladedauer von 8 Stunden erforderlich.

LED **15 leuchtet auf.**

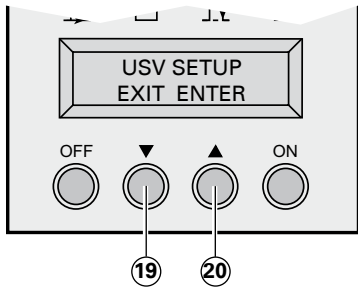
Kundenspezifische Anpassung der USV



Wenn eine kundenspezifische Anpassung der USV-Parameter vorgesehen ist, empfiehlt es sich, den entsprechenden Einstellmodus in dieser Phase aufzurufen.

Der Anpassungsmodus kann über die Tasten des Bedien- und Anzeigefelds oder über die USV-Software "Personal **Solution-Pac** für Windows" aufgerufen werden, die auf der mitgelieferten CD-ROM **Solution-Pac** von EATON enthalten ist.

Anpassung über das Bedien- und Anzeigefeld



• Die beiden Funktionstasten **19** und **20** gleichzeitig länger als drei Sekunden gedrückt halten.

• Funktionstaste **20** unterhalb der Anzeige "EING" drücken, um in den Anpassungsmodus zu schalten und anschließend Hinweise im Display befolgen. Gewünschte Einstellungen mit den entsprechenden Funktionstasten vornehmen.

Lokale Einstellungen

Funktion	Werksseitige Einstellung	Optionen
Sprache	Englisch	Deutsch, Französisch, Spanisch, Italienisch.
Datums-/Uhrzeitformat	Internationales Format (TT-MM-JJJJ/HH:MM)	US-Format (MM-TT-JJJJ/HH:MM AM/PM).
Änderung Datum/Uhrzeit	MEZ	MM-TT-JJJJ/HH:MM einstellbar.
Akustischer Alarm	Schnelle Tonfolge	Langsame Tonfolge.

Anpassung der Ausgangskennwerte

Funktion	Werksseitige Einstellung	Optionen	Anmerkungen
Ausgangsspannung	230 Volts AC	200/208/220/240/250	
Frequenzwandler	Inaktiv	Aktiv	Netz 2 (AC Bypass) deaktiviert.
Ausgangsfrequenz	Automatische Auswahl	50/60 Hz	Einstellbar durch Anwender bei Frequenzwandlerbetrieb .
ECO-Mode	Inaktiv	Aktiv	Siehe Abschnitt 5.2 "Fachbegriffe".
Standby-Redundanz	Inaktiv	Aktiv	N+1 Redundanzschutz (siehe Abschnitt 2.5 "Standby-Redundanz").
Anwendungstyp	Industrieanwendung	IT-Anwendung	(*)
Umschaltung auf Netz 2 (AC Bypass) zulässig	wenn Netz 2 (AC Bypass) außerhalb der Toleranz.	wenn Netz 2 (AC Bypass) innerhalb der Toleranz.	(*)
Umschaltzeit	10 ms	10 bis 200 ms (in 10-ms-Schritten).	Einstellung der Unterbrechungszeit bei zulässiger Umschaltung auf Netz 2 wenn Netz außerhalb der Toleranz.
Überlast-Grenzwert	102 %	50/70 %	

(*) : - Einstellungen "IT-Anwendung" und "wenn Netz 2 innerhalb der Toleranz" bei EDV-Verbrauchern wählen.

- Einstellungen "Industrieanwendung" und "wenn Netz 2 außerhalb der Toleranz" wählen, wenn sehr hohe Betriebskontinuität erforderlich ist (Unterbrechungen von 10 ms zulässig).

3. Betriebszustände

Anpassung der EIN/AUS-Funktionen

Funktion	Werkseitige Einstellung	Optionen	Anmerkungen
Start im Batteriebetrieb	Inaktiv	Aktiv	Start im Batteriebetrieb (ohne Netzeinspeisung).
Zwangsabschaltung	Aktiv	Inaktiv	Automatischer Neustart des Systems, auch bei Netzurückkehr vor Ablauf der Abschaltsequenz.
Automatischer Neustart	Aktiv	Inaktiv	Automatischer Neustart des USV-Systems bei Rückkehr von Netz 1.
Sleep-Modus	Inaktiv	Aktiv	Automatische Batterieabschaltung bei Auslastungsgrad < 10%.
USV-Start/Stop über Software	Aktiv	Inaktiv	Erlaubt die Ausführung von Ein- und Ausschaltbefehlen, die über Software abgesetzt wurden.

Anpassung Batteriefunktionen

Funktion	Werkseitige Einstellung	Optionen	Anmerkungen
Batterietest	Einmal pro Woche	kein Test / einmal pro Tag/ einmal pro Monat	
Voralarm "Ende der Autonomiezeit"	20 %	0 bis 100 %	Einstellbar in 1%-Schritten
Batteriekapazität/ Autonomiezeit	Anzahl der von der USV erkannten Batteriemodule	50 bis 400 Ah	Bei Auswahl dieser Option Hochleistungsladegerät EX RT CLA erforderlich (siehe Abschnitt 1.4 "Batterie-Erweiterungsmodule")
Schutz gegen Tiefentladung	Aktiv	Inaktiv	Bei Einstellung "inaktiv" Verlust der EATON-Garantie.

- Nach Beendigung der Anpassung Taste EXIT drücken.
- Diese Einstellungen können nur bei ausgeschalteter **USV** verändert werden.

Anpassung über Software



- CD ROM "**Solution-Pac**" in das Laufwerk einlegen.
- Im ersten Bildschirm des Einstellmenüs "Installation" auswählen und Hinweise zur Installation der Software **Personal Solution-Pac** befolgen.
- Wenn die Installation nicht automatisch startet, Datei "startup.exe" ausführen.
- Anschließend "Advanced settings" und "UPS settings" auswählen.
- In den Versionen für Linux/Unix/MacOS von **Personal Solution-Pac** steht diese Option nicht zur Verfügung.

3.2 Einschalten der USV



- Taste ON länger als 3 Sekunden drücken.
- Nach Ablauf eines internen USV-Tests leuchtet LED 13 auf.

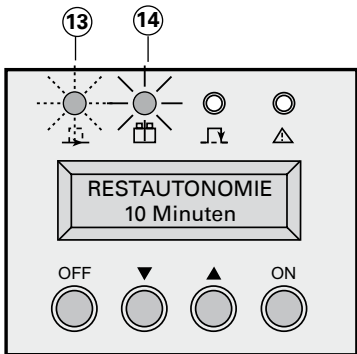
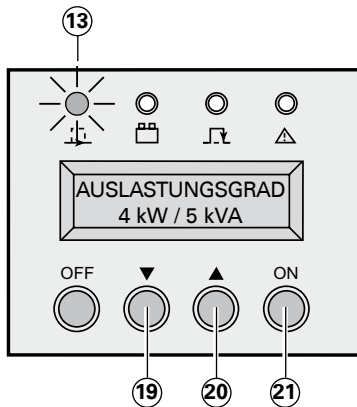


Ist beim Start der USV Netz 2 (AC Bypass) außerhalb der Toleranz, wird die Stromversorgung der angeschlossenen Verbraucher für 10 ms durch die USV unterbrochen.

3. Betriebszustände

3.3 Betriebsarten

Normalbetrieb (Doppelwandlerprinzip)



Diese Betriebsart ist werksseitig voreingestellt. Es können zwei Betriebszustände vorliegen:

1 - Das Einspeisenetz (AC Normal) ist vorhanden :
LED 13 leuchtet.

Die angeschlossenen Verbraucher sind durch die USV geschützt.

Im Normalbetrieb können durch Betätigung der Scroll-Tasten 19 und 20 die von der USV erfaßten Meßwerte (Spannung von Netz 1 und Netz 2, Betriebsart, Batteriekapazität und USV-Seriennummer) abgelesen werden.

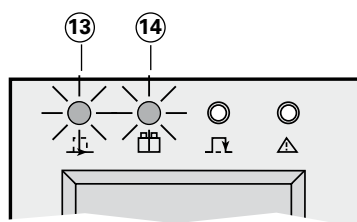
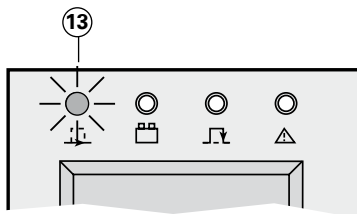
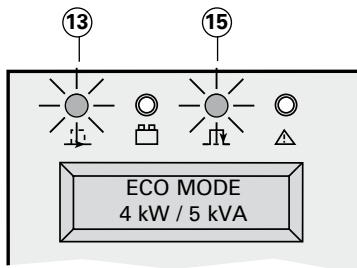
2 - Das Einspeisenetz (AC Normal) ist nicht vorhanden:

LED 13 blinkt.
LED 14 leuchtet auf.
Summer ertönt.

Die angeschlossenen Verbraucher sind geschützt; das USV-System arbeitet im Batteriebetrieb.

Handumgehungsschalter 7 nicht betätigen, wenn die USV im Normalbetrieb arbeitet.

ECO-Mode



Der ECO-Mode erlaubt die Verringerung des Energieverbrauchs.

Im ECO-Mode (siehe Abschnitt 5.2 "Fachbegriffe") ist die Filterfunktion der USV deaktiviert.

Es können drei Betriebszustände vorliegen:

1 - Netz 2 (AC Bypass) ist vorhanden:

LED 13 und 15 leuchten auf.

Die angeschlossenen Verbraucher werden im ECO-Mode versorgt.

2 - Netz 2 (AC Bypass) ist nicht vorhanden.

LED 13 leuchtet auf.

Summer ertönt.

Die angeschlossenen Verbraucher werden automatisch im Normalbetrieb über Netz 1 (AC Normal) versorgt.

3 - Netz 1 (AC Normal) und Netz 2 (AC Bypass) sind beide nicht vorhanden oder außerhalb der Toleranz.

LED 13 leuchtet auf.

LED 14 leuchtet auf.

Summer ertönt.

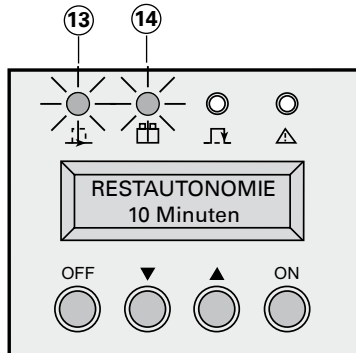
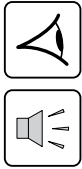
Die angeschlossenen Verbraucher sind geschützt; das USV-System arbeitet im Batteriebetrieb.

Im Display wird die Restautonomiezeit der Batterie angezeigt.

3.4 Batteriebetrieb

Bei Ausfall von Netz 1 (AC Normal) bleiben die Verbraucher weiterhin durch die USV geschützt. Dabei liefern die Batterien die erforderliche Versorgungsenergie.

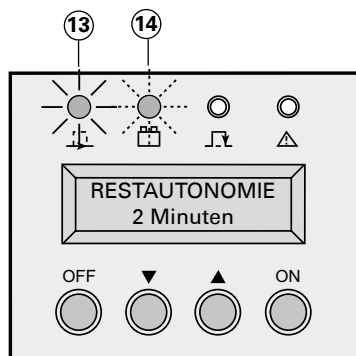
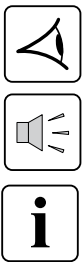
Umschaltung auf Batteriebetrieb



LED 13 leuchtet.
LED 14 leuchtet.
Summer ertönt alle 10 Sekunden.

**Die angeschlossenen Verbraucher werden über die Batterie versorgt.
Im Display wird die Restautonomiezeit der Batterie angezeigt.**

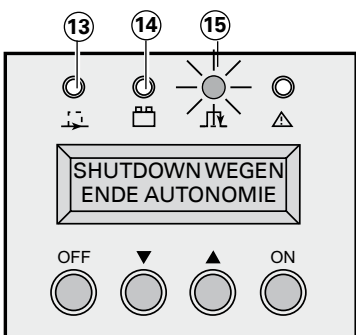
Voralarm "Ende der Autonomiezeit"



LED 13 leuchtet.
LED 14 blinkt.
Summer ertönt alle 3 Sekunden.

Die Batterie ist kurz vor dem Entladeende. Es sollten alle Anwendungen geschlossen werden, da die Abschaltung der USV kurz bevorsteht.

Abschaltung am Ende der Autonomiezeit



LED 13 und 14 sind erloschen.
Summer ertönt nicht mehr.

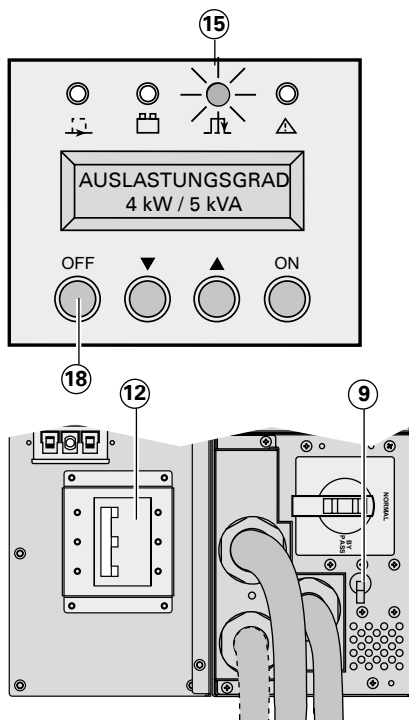
Die angeschlossenen Verbraucher werden auf Netz 2 (AC Bypass) umgeschaltet, falls dieses vorhanden ist. In diesem Fall leuchtet LED 15 auf.

3.5 Rückkehr von Netz 1 (AC Normal)

Bei Netzzurückkehr nach einer Abschaltung erfolgt ein automatischer Neustart der USV, sofern diese Funktion nicht bei der kundenspezifischen Anpassung deaktiviert wurde.

3. Betriebszustände

3.6 Abschaltung der USV



1 - Taste **18** OFF länger als 3 Sekunden drücken.



Die angeschlossenen Verbraucher sind nicht mehr durch die USV geschützt. Die Versorgung erfolgt über Netz 2 (AC Bypass). Bei Frequenzwandlerbetrieb der USV ist die Versorgung der angeschlossenen Verbraucher unterbrochen. Liegt Netz 2 außerhalb der Toleranz, erfolgt die Netzschnittung durch die USV mit einer Unterbrechung der Stromversorgung von 10 ms.

- 2 - Batterie-Leistungsschalter **12** ausschalten (Stellung "0").
- 3 - Eingangsschalter **9** für Netz 1 (AC Normal) ausschalten (Stellung "0").
- 4 - Zur vollständigen Trennung der USV und der angeschlossenen Verbraucher Haupteingangsschalter in der NSHV (nicht Bestandteil des Lieferumfangs) ausschalten.

4.1 Betriebsstörungen



Bei Aufleuchten einer der LEDs **15** oder **16** liegt eine Betriebsstörung oder ein Alarmzustand vor. Der akustische Alarm kann durch Betätigung einer der Scroll-Tasten abgeschaltet werden.

Fehlerbehebung ohne Inanspruchnahme des EATON-Kundendienstes

Fehleranzeige	Fehlerursache	Fehlerbehebung
LED 15 leuchtet auf. In der Anzeige erscheint folgende Meldung: ANSCHLUSS FALSCH EINGANG GLEICHR.	Falscher Anschluß von Netz 1 (AC Normal)	Netz 1 richtig anschließen (L1-N-PE).
LED 15 leuchtet auf. In der Anzeige erscheint folgende Meldung: AUSLASTUNGSGRAD Xx kW / XX KVA	Die Versorgung der angeschlossenen Verbraucher erfolgt über Netz 2 (AC Bypass).	Taste ON länger als 3 Sekunden drücken.
LED 15 leuchtet auf*. In der Anzeige erscheint folgende Meldung: THERM. UBERLAST 1XX%	Überlast am USV-Ausgang	Leistungsaufnahme der angeschlossenen Verbraucher überprüfen und weniger wichtige Systeme abschalten.
LED 16 leuchtet auf. In der Anzeige erscheint folgende Meldung: STROM UBERLAST	Kurzschluß im Verbraucherkreis.	Kurzschlußbehafteten Kreis lokalisieren und Kurzschluß beseitigen
Summer ertönt und in der Anzeige erscheint die Meldung: I/O BOX REMOVED	Das Anschlußmodul ist nicht richtig befestigt.	Befestigung des Anschlußmoduls (USV-Rückseite) überprüfen.

(*): falls Netz 2 (AC Bypass) vorhanden.

Fehlerbehebung mit Inanspruchnahme des EATON-Kundendienstes:

Fehleranzeige	Fehlerursache	Fehlerbehebung
LEDs 15 * und 16 leuchten auf, Summer ertönt. In der Anzeige erscheint die Meldung: FEHLER xxx www.eaton.com	Interne USV-Störung und Umschaltung der Verbraucherversorgung auf Netz 2 (AC Bypass).	USV austauschen (siehe Abschnitt 4.3). Kundendienst benachrichtigen.
LED 15 leuchtet auf und Summer ertönt. In der Anzeige erscheint die Meldung: BATTERIE FEHLER	Batteriestörung bei Batterietest festgestellt.	USV austauschen (siehe Abschnitt 4.3). Kundendienst benachrichtigen.
LED 15 leuchtet auf. In der Anzeige erscheint folgende Meldung: BYPASS FEHLER SHUTDOWN	Störung des statischen Bypass.	USV austauschen (siehe Abschnitt 4.3). Kundendienst benachrichtigen.
Summer ertönt und in der Anzeige erscheint die Meldung: BATTERIE PRUEFEN www.eaton.com	Die voraussichtliche Batterielebensdauer ist abgelaufen. Die Autonomiezeit der Batterie nimmt deutlich ab.	Kundendienst benachrichtigen: www.eaton.de, Rubrik "Service & Support".**

(*): falls Netz 2 (AC Bypass) vorhanden.

(**): Zur endgültigen Quittierung dieser Alarmmeldung Tasten **19** und **20** länger als 3 Sekunden drücken und Menü "LCM-Einstellungen" aufrufen.

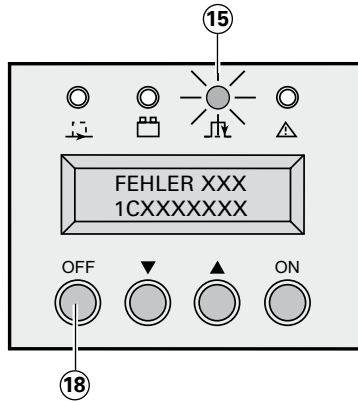
4. Wartung und Service

4.2 Austausch des USV-Moduls



Der Austausch kann ohne Unterbrechung der Verbraucherversorgung durchgeführt werden.

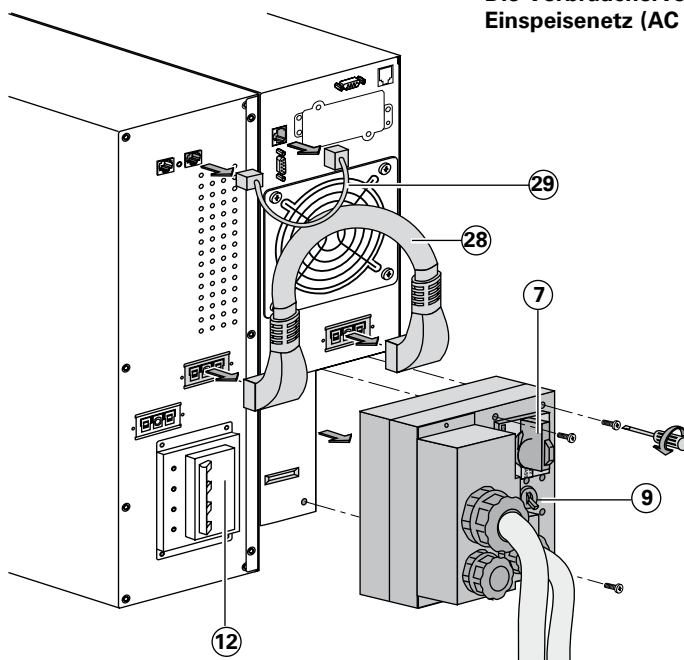
Abschaltung und Lösen der Verbindungen



- Taste 18 OFF länger als 3 Sekunden drücken, um die USV auszuschalten.
- Überprüfen, ob die USV auf Bypass (NRE) geschaltet ist. LED 15 muß aufleuchten (andernfalls Handumgehungsschalter nicht in die Stellung "BYPASS" umschalten und Kundendienst benachrichtigen).
- Handumgehungsschalter 7 in die Stellung "BYPASS" umschalten.
- Batterie-Leistungsschalter 12 ausschalten (Stellung "0").
- Eingangsschalter 9 für Netz AC Normal ausschalten (Stellung "0") und 30 Sekunden warten.
- Zum Lösen des Anschlußmoduls die 3 Befestigungsschrauben an der USV-Rückseite herausdrehen.
- Batteriekabel 28 und 29 des USV-Moduls abziehen.

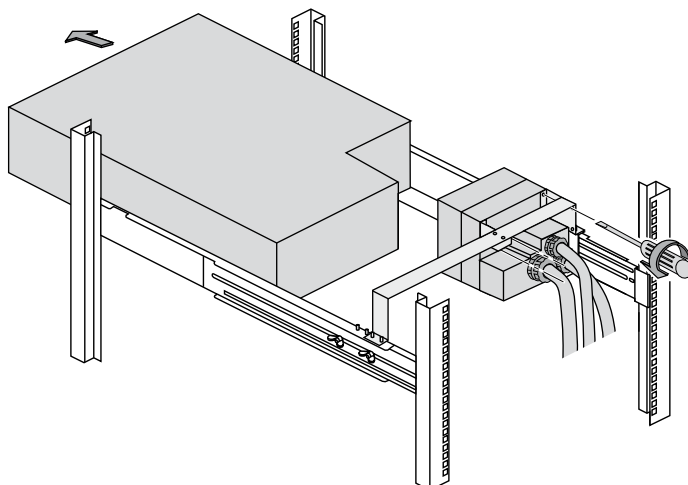


Tower-Modell



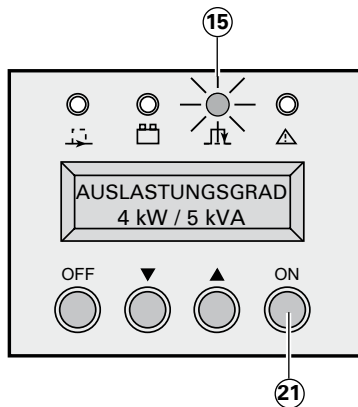
**Das USV-Modul kann nun ausgetauscht werden.
Die Verbraucherversorgung erfolgt direkt aus dem
Einspeisenetz (AC Bypass).**

Rack-Modell



4. Wartung und Service

Wiederanschluß des USV-Moduls

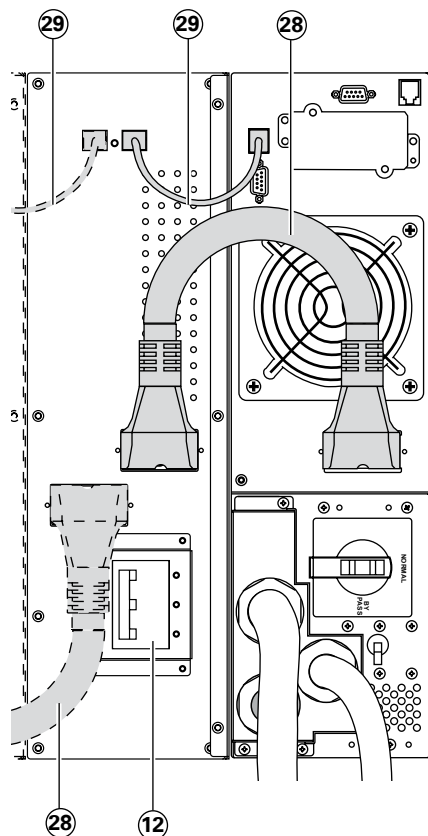


- Anschlußmodul an der Rückseite des USV-Moduls mit den 3 Montageschrauben befestigen.
- Batteriekabel (28) und (29) erneut am USV-Modul anschließen.
- Batterie-Leistungsschalter (12) einschalten (Stellung "I").
- Eingangsschalter (9) für Netz 1 (AC Normal) einschalten (Stellung "I").
- Handumgehungsschalter von der Stellung BYPASS in die Stellung NORMAL umschalten.
- LED (15) muß aufleuchten.
- Erneute Inbetriebnahme der USV gemäß Abschnitt 3.1; anschließend kundenspezifische Anpassung der Einstellungen vornehmen.
- Taste (21) ON länger als 3 Sekunden drücken.

LED (13) leuchtet auf. Die Verbraucher sind erneut durch die USV geschützt.

4.3 Austausch des Batteriemoduls

Abschaltung und Lösen der Verbindungen



- Batterie-Leistungsschalter (12) ausschalten (Stellung "0").
- Verbindungskabel (28) und (29) zum USV-Modul abziehen.

Das Batteriemodul kann nun ausgetauscht werden. Die angeschlossenen Verbraucher werden weiter über die USV versorgt.

Es können auch einzelne Batterieelemente anstelle des gesamten Moduls ausgetauscht werden. Wenden Sie sich bitte an die örtliche EATON-Vertretung.

Zum Austausch einzelner Batterieelemente:

- Batterie-Leistungsschalter (12) ausschalten (Stellung "0").
- Zum Ausbau der Batterieelemente, siehe Abschnitt 2.3.

Wiederanschluß des Batteriemoduls



- Verbindungskabel (28) und (29) zum USV-Modul wieder anschließen.
- Batterie-Leistungsschalter (12) einschalten (Stellung "I").

Zum Wiederanschluß der Batterieelemente:

Hinweise aus Abschnitt 2.3 in umgekehrter Reihenfolge befolgen.

- Nach Schließen der Frontabdeckung des Batteriemoduls Verbindungskabel (28) und (29) am USV-Modul anschließen.
- Batterie-Leistungsschalter (12) einschalten (Stellung "I").

4. Wartung und Service

4.4 Schulungszentrum



Um Ihnen eine optimale Nutzung der Anlagen sowie eine umfassende Fehleranalyse und -behebung zu ermöglichen, bietet EATON umfangreiche Kundenschulungen in englischer und französischer Sprache an.

For further information, please visit our website: www.eaton.com

5.1 Technische Kenndaten

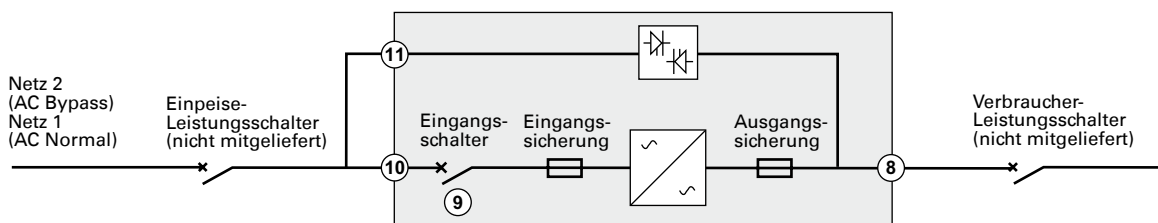
Elektrische Kenndaten

Betriebsart IT-Anwendungen und Industrieanwendungen

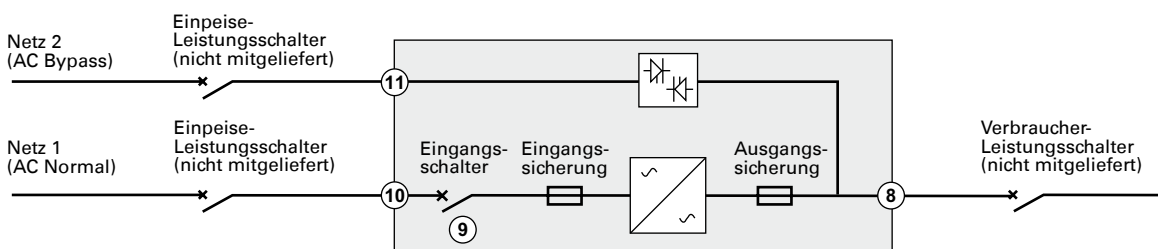
	Industrieanwendung	IT-Anwendungen
Überlast am USV-Ausgang / Netz 2 innerhalb der Toleranz.	Gleiches Betriebsverhalten wie bei IT-Anwendung allerdings keine automatische Rückkehr auf Netz 1 nach Wegfall der Überlast.	Die Verbraucherversorgung wird auf Netz 2 (AC Bypass) umgeschaltet. Rückkehr zu Netz 1 (AC Normal) bei Wegfall der Überlast.
Überlast am USV-Ausgang / Netz 2 außerhalb der Toleranz.	Umschaltung der Lastversorgung auf Netz 2 (AC Bypass) mit Unterbrechung von 10 ms; keine automatische Rückkehr auf Normalbetrieb nach Wegfall der Überlast.	Abschaltung der USV und keine Umschaltung auf Netz 2 (AC Bypass).
Kurzschluß im USV-Ausgangskreis / Netz 2 innerhalb der Toleranz.	Sofortiger Transfer der angeschlossenen Verbraucher auf Netz 2 (AC Bypass) und automatische Rückkehr in Normalbetrieb nach Abschaltung des Kurzschlusses durch den betreffenden Ausgangs-Leistungsschalter (siehe Abschnitt 2.6).	Die angeschlossenen Verbraucher sind weiterhin durch die USV geschützt. Bei Fortbestehen des Kurzschlusses endgültige Abschaltung der USV nach 3 Minuten.
Kurzschluß im USV-Ausgang / Netz 2 außerhalb der Toleranz.	Umschaltung der angeschlossenen Verbraucher auf Netz 2 (AC Bypass) mit Versorgungsunterbrechung von 10 ms; keine automatische Rückkehr in Normalbetrieb nach Abschaltung des Kurzschlusses durch den betreffenden Ausgangs-Leistungsschalter (siehe Abschnitt 2.6).	Die angeschlossenen Verbraucher sind weiterhin durch die USV geschützt. Bei Fortbestehen des Kurzschlusses endgültige Abschaltung der USV nach 3 Minuten.

Wahl der Schutzorgane

USV mit gemeinsamer Einspeisung von Netz 1 (Gleichrichter) und Netz 2 (Bypass)



USV mit getrennter Einspeisung von Netz 1 (Gleichrichter) und Netz 2 (Bypass)



Zur Dimensionierung der Einspeise-Leistungsschalter (Sicherungsautomaten) sind folgende Kennwerte zu berücksichtigen:

Stromaufnahme

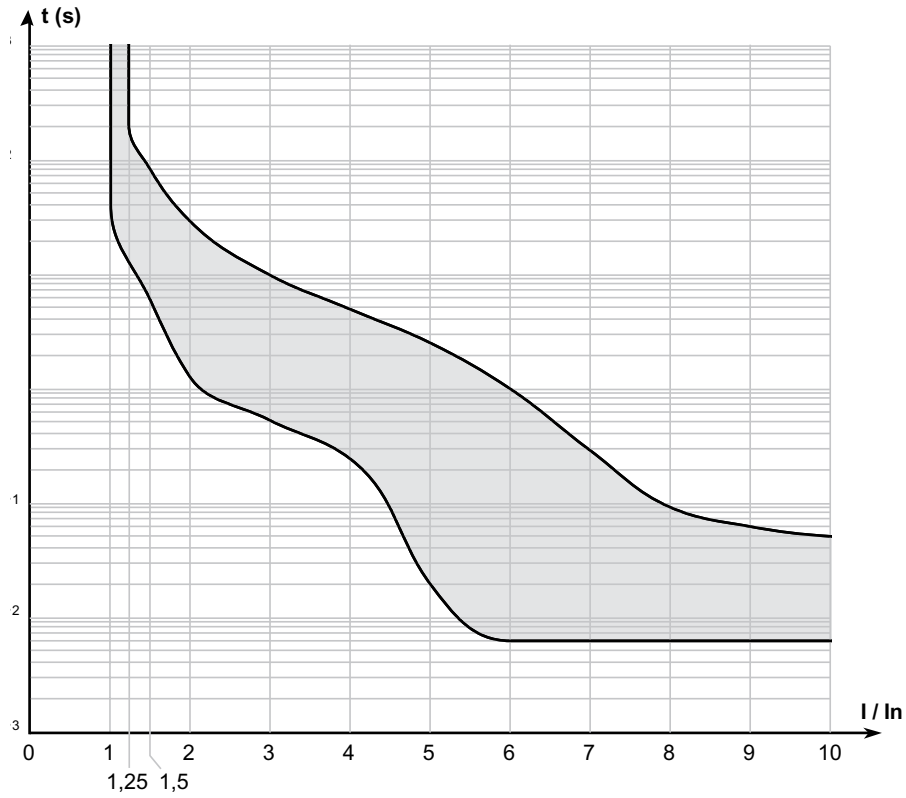
USV-Nennleistung	Batteriestrom bei Netz 400/320 V und Nennlast	Batteriestrom bei 320 V und 110 % Überlast, begrenzt auf 2 Minuten	Nennstrom der Eingangssicherungen	Nennstrom der Ausgangssicherungen
5 kVA	9/10 A	11 A	25 A	80 A
7 kVA	10/11 A	12 A	25 A	80 A
11 kVA	15/19 A	21 A	30 A	100 A

Die Selektivität der einspeise- und abgangsseitigen Schutzorgane gemäß Abschnitt 2.6 ist gewährleistet bei einer Kabellänge von max. 30 m und einem Leiterquerschnitt von mindestens 10 mm².

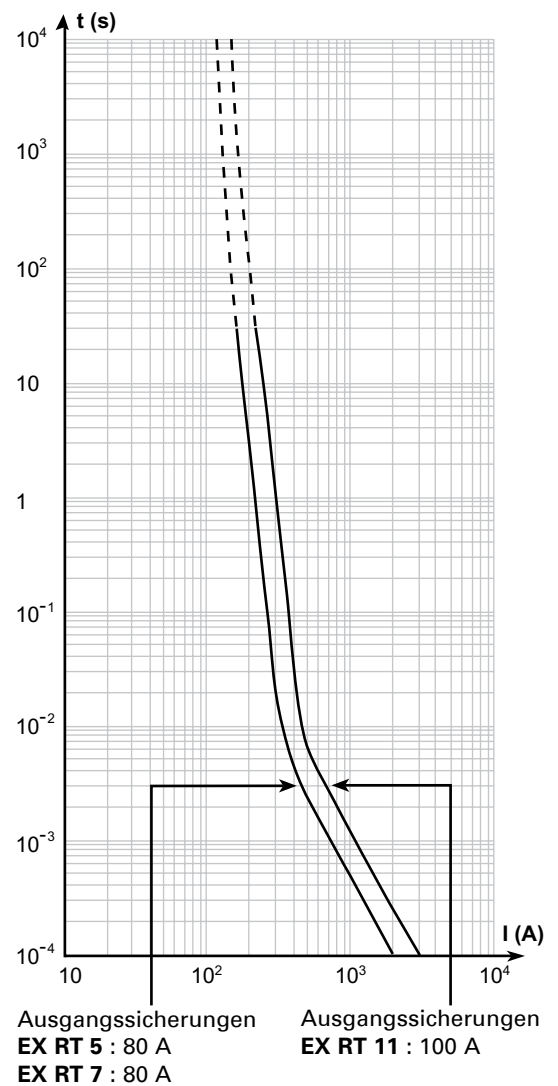
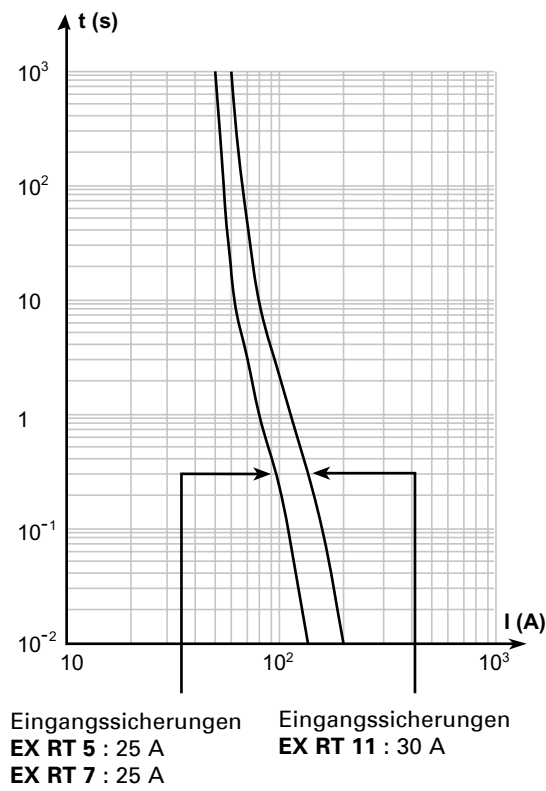
Das Ausschaltvermögen des Leistungsschalters ist in Abhängigkeit von der Installation, den Kabellängen und den Leiterquerschnitten zu wählen.

5. Anhang

Schmelzkurven der Eingangs- und Ausgangsschalter der USV



Schmelzkurven der Eingangs- und Ausgangssicherungen der USV



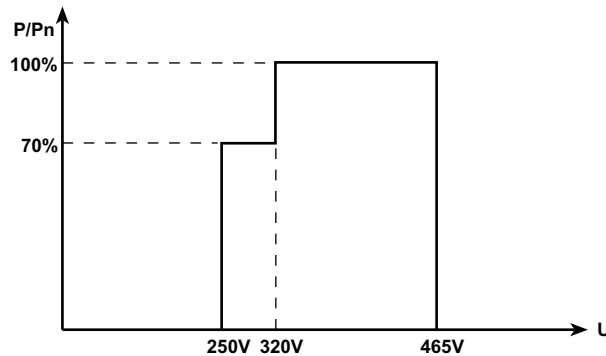
Eingangs-/Ausgangs-Kenndaten der USV

Einspeisernetz	Spannungsbereich	Frequenzbereich
Netz 1 / AC Normal	320 bis 465 Volts AC	40 bis 70 Hz
Netz 2 / AC Bypass	187 bis 264 Volts AC*	48 bis 52 Hz**
Verbraucherabgänge	230 V AC (weitere mögliche Werte: 200/208/220/240/250 V)	Automatische Auswahl 50/60 Hz (oder Frequenzwandlerbetrieb)

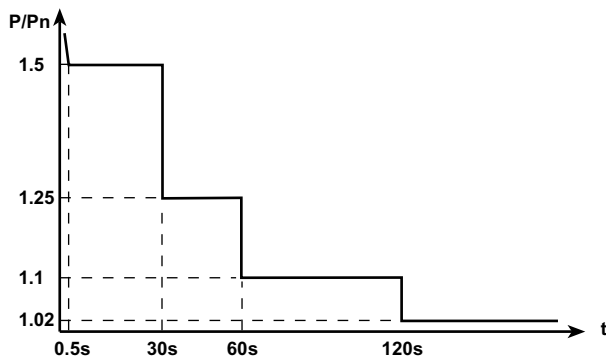
(*): je nach kundenspezifischer Einstellung der Ausgangsspannung; Änderung über Software möglich.

(**): werkseitige Voreinstellung auf +/- 4% (andere mögliche Werte: 1,2,4,8); Änderung über Software möglich.

Ausgangsleistung der USV in Abhängigkeit von der Eingangsspannung



Zulässige USV-Überlast in Abhängigkeit von der Zeit



Im Normal- und Batteriebetrieb von der USV gelieferter Kurzschlußstrom

- EX RT 5: 110 A während 80 ms.
- EX RT 7: 110 A während 80 ms.
- EX RT 11: 150 A während 80 ms.

Trafomodul (EX RT)

Nennleistung	11 kVA
Nennstrom	63 A
Eingangsspannung	160-280 Volts AC
Spannungsabfall	7 V bei Nennlast
Frequenzbereich	50/60 Hz (+/-10 %)
Isolationsfestigkeit (EN 61558-1-2-4)	3,75 kV / 5 M ohms
Betriebstemperatur	0° bis + 40°C
Relative Luftfeuchtigkeit	95 %
Leistungsminderung in Abhängigkeit der Aufstellhöhe	Pn -10 % > 1000 m
Abmessungen HxBxT (Tower)	444 x 131 x 635 mm
Abmessungen HxBxT (Rack/3 HE)	131 x 444 x 635 mm
Gewicht	86,5 kg

5. Anhang

CLA-Modul (Hochleistungs-ladegerät)

- Eingangsspannung: 160 - 280 V AC,
- Eingangsfrequenz: 40-70 Hz,
- Ladestrom: 6 A CC,
- Wiederaufladezeit bis 90% Nennautonomie nach Entladung bei USV-Nennleistung:

	Konfiguration 2 Stunden Autonomiezeit	Konfiguration 4 Stunden Autonomiezeit	Konfiguration 8 Stunden Autonomiezeit
EX RT 5	5 Stunden	12 Stunden	20 Stunden
EX RT 7	5 Stunden	12 Stunden	20 Stunden
EX RT 11	7 Stunden	15 Stunden	24 Stunden

Thermische Kenndaten

- USV-Betriebstemperatur: 0 bis 40°C (45°C über 8 Stunden); optimaler Betrieb zwischen +20 und +25°C.
- Zu hohe und zu niedrige Temperaturen beeinträchtigen die Autonomiezeit der Batterien. Unterhalb von 10°C sinkt die Autonomiezeit erheblich. Oberhalb von 25°C verringert sich die Batteriebensdauer um 50% pro 10°C. Oberhalb von 40°C erlischt die vom Batteriehersteller gegebene Betriebsgarantie (Gefahr von thermischer Instabilität).
- Der Lufteintritt erfolgt an der Vorderseite, der Luftaustritt an der Rückseite des Geräts.

5.2 Fachbegriffe

Autonomiezeit	Zeitdauer, während der die Versorgung der Verbraucher durch die Batterie erfolgt.
ECO-Mode	Betriebsart zur direkten Verbraucherversorgung über das Netz, wenn dessen Kennwerte innerhalb der kundenspezifischen Toleranzgrenzen liegen. Durch diese Betriebsart lässt sich der Energieverbrauch senken.
Handumgehung	Vom Anwender manuell zu betätigender Drehschalter zur direkten Verbraucherversorgung aus dem Einspeisenetz. Die Umschaltung auf die Handumgehung erlaubt die Wartung der USV ohne Betriebsunterbrechung der Verbraucher.
Netz 1 / AC NORMAL	Normales Einspeisenetz der USV.
Netz 2 / AC BYPASS	Einspeisung, die eine Umgehung des Wechselrichters durch Umschaltung auf den NRE-Zweig im Überlastfall sowie eine Freischaltung bei Wartung oder Störung der USV erlaubt.
Normalbetrieb (Doppelwandlerprinzip)	Normale Betriebsart, in der die USV die Lastversorgung über die Kette Netz-Gleichrichter-Wechselrichter erfolgt.
NRE	Netzzückschalteneinrichtung.
Relaiskontakte	Hilfskontakte für Anwenderfunktionen.
Serviceumgehung	Siehe Handumgehung.
USV	Unterbrechungsfreie Stromversorgung(sanlage)

EX RT 5 3:1
EX RT 7 3:1
EX RT 11 3:1

**Manuale d'installazione e
d'uso per l'utente**



EATON

Powering Business Worldwide

Introduzione

Vi ringraziamo per aver scelto un prodotto EATON per la sicurezza delle vostre apparecchiature.

La gamma **EX RT** è stata elaborata con notevole cura per i singoli dettagli. Per usufruire al meglio delle prestazioni della vostra unità UPS (gruppo statico di continuità), vi consigliamo di dedicare del tempo alla lettura del presente manuale.

Attenzione: **EX RT** è un prodotto di classe A. In un ambiente domestico, è possibile che generi interferenze radio. In questo caso, l'utente potrà adottare misure complementari. Qualora l'apparecchio debba essere installato in ambienti in sovratensione di categoria III o IV, a monte di quest'ultimo deve essere prevista un'ulteriore protezione dalle sovratensioni.

Vi invitiamo a scoprire l'offerta EATON, nonché le opzioni della gamma **EX RT** visitando il nostro sito WEB all'indirizzo www.eaton.com oppure contattando il vostro rappresentante EATON.

Rispetto dell'ambiente

EATON presta una particolare attenzione all'impatto dei suoi prodotti sull'ambiente, seguendo un approccio di ecoprogettazione nell'arco di tutto il ciclo di vita di **EX RT**: progettazione, uso e riciclaggio.

Uso della documentazione

La ricerca di informazioni si esegue principalmente in due modi:

- Tramite il sommario.
- Tramite l'indice analitico.

Pittogrammi utilizzati



Seguire tassativamente queste istruzioni.



Informazioni, consigli, aiuto.



Segnalazione visiva da osservare.



Azione da realizzare.



Segnalazione acustica.

Le convenzioni adottate per rappresentare le spie all'interno delle illustrazioni sono le seguenti:



Spia spenta.



Spia accesa.



Spia lampeggiante.

1. Presentazione

1.1	Posizioni standard	5
	Posizione "tower"	5
	Posizione "slot"	5
1.2	Parti posteriori	6
	Modulo di potenza EX RT 5/7/11	6
	Modulo batteria EX RT EXB 7/11	6
1.3	Pannello di visualizzazione e di controllo	7
1.4	Opzioni	7
	Kit di montaggio in posizione slot	7
	Trasformatore di isolamento galvanico o di adattamento agli schemi di collegamento alla terra	8
	Estensioni batteria per autonomie batteria da 60 minuti max.	9
	Modulo CLA (Caricatore a Lunga Autonomia) per autonomie da 2 a 8 ore	9
	Sistema di assemblaggio dei moduli su carrello	10
	Modulo batteria munito di arresto di emergenza (REPO)	10
	Cavo per modulo batteria distanziato (1,8 m)	10

2. Installazione

2.1	Apertura dell'imballaggio e verifica del contenuto	11
	Modulo di potenza	11
	Modulo batteria	11
2.2	Installazione nella posizione "tower"	12
2.3	Installazione nella posizione "slot"	13
	Modifica dell'orientamento del logo e del pannello di controllo	13
	Montaggio in slot del modulo batteria (guide opzionali richieste).....	13
	Montaggio in slot dei moduli batteria e potenza (guide opzionali richieste)	14
2.4	Porte di comunicazione	16
	Collegamento della porta di comunicazione RS232.....	16
	Caratteristiche della porta di comunicazione a relè.....	16
	Arresto di emergenza	17
	Collegamento dell'arresto di emergenza	17
	Installazione delle schede di comunicazione (opzionali, standard nella versione Network pack)	17
2.5	Scelta di installazione secondo lo Schema di Collegamento alla Terra (SCT)	18
	UPS con reti di ingresso CA Normale e CA By-pass comuni	18
	UPS con reti di ingresso CA Normale e CA By-pass separate	18
	UPS con reti di ingresso CA Normale e CA By-pass separate provenienti da sorgenti differenti	19
	Convertitore di frequenza (senza rete di ingresso By-pass).....	19
	Ridondanza di emergenza	19
2.6	Organi di protezione e sezioni di cavi raccomandati	20
	Protezione a monte raccomandata	20
	Protezione a valle raccomandata	20
	Sezioni di cavi raccomandate	20
2.7	Collegamento dei cavi di potenza di ingresso e uscita	21
	Collegamento di un UPS con reti di ingresso CA Normale e CA By-pass comuni	21
	Collegamento di un UPS con reti di ingresso CA Normale e CA By-pass separate	22
	Collegamento del convertitore di frequenza	23
	Collegamento dei cavi batteria.....	24
	Collegamento del trasformatore di isolamento galvanico.....	24
	Collegamento del modulo Caricatore a Lunga Autonomia (CLA).....	25

Indice

3. Uso

3.1	Messa in servizio iniziale	26
	Personalizzazione dell'UPS	26
	Personalizzazione tramite il pannello di controllo	26
	Personalizzazione tramite software esterno	27
3.2	Sequenza di avviamento dell'UPS	27
3.3	Modalità di funzionamento	28
	Modalità normale (conversione doppia)	28
	Modalità Eco	28
3.4	Funzionamento a batteria	29
	Passaggio sulla batteria	29
	Soglia di preallarme di fine autonomia	29
	Fine autonomia della batteria	29
3.5	Ripristino della rete CA Normale	29
3.6	Arresto dell'UPS	30

4. Manutenzione

4.1	Risoluzione avarie	31
4.2	Sostituzione del modulo di potenza	32
	Scollegamento del modulo di potenza	32
	Ricollegamento del modulo di potenza	33
4.3	Sostituzione del modulo batteria	33
	Scollegamento del modulo batteria	33
	Ricollegamento del modulo batteria	33
4.4	Centro di formazione	34

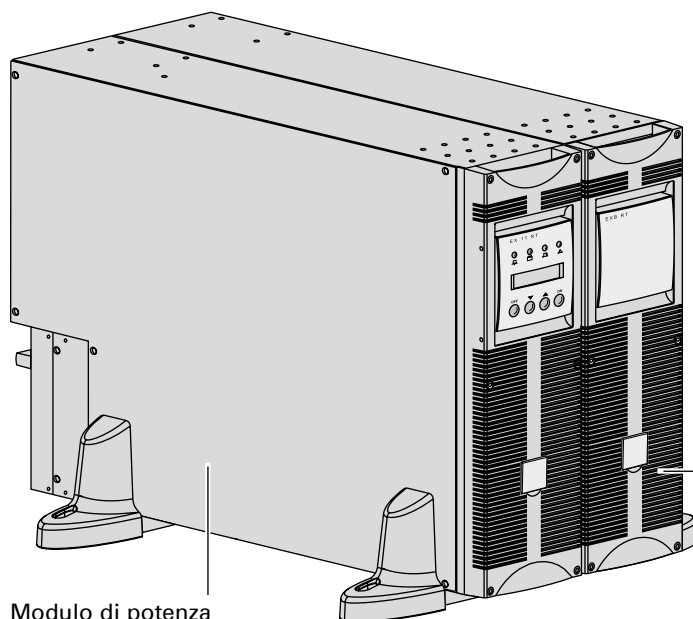
5. Allegati

5.1	Caratteristiche tecniche	35
	Caratteristiche elettriche	35
	Caratteristiche termiche	38
5.2	Glossario	38

1. Presentazione

1.1 Posizioni standard

Posizione "tower"



Modulo di potenza
(EX RT 5/7/11)

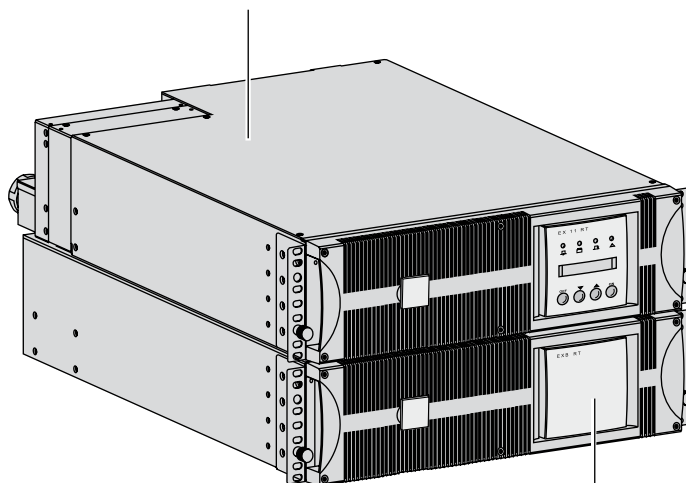
	Dimensioni in mm (A x L x P)
EX RT 5 EX RT 7 EX RT 11 EX RT EXB 7 EX RT EXB 11	444 x 131 x 635

	Peso in Kg
EX RT 5 EX RT 7	22,5
EX RT 11	27,5
EX RT EXB 7	64,5
EX RT EXB 11	68,5

Modulo batteria
(EX RT EXB 7/11)

Posizione "slot"

Modulo di potenza (EX RT 5/7/11)



	Dimensioni in mm (A x L x P)
EX RT 5 EX RT 7 EX RT 11 EX RT EXB 7 EX RT EXB 11	131 (3U) x 444 x 635

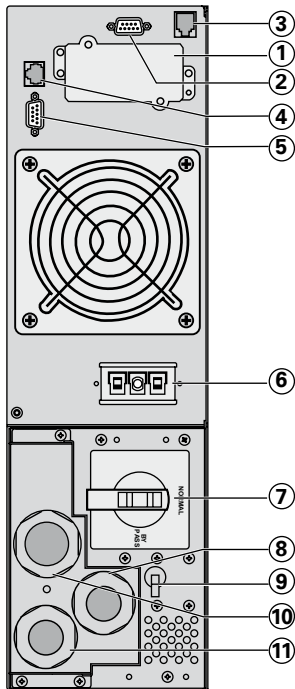
	Peso in Kg
EX RT 5 EX RT 7	22,5
EX RT 11	27,5
EX RT EXB 7	64,5
EX RT EXB 11	68,5

Modulo batteria
(EX RT EXB 7/11)

1. Presentazione

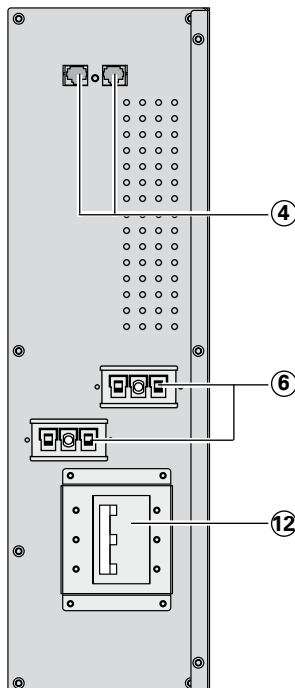
1.2 Parti posteriori

Modulo di potenza EX RT 5/7/11



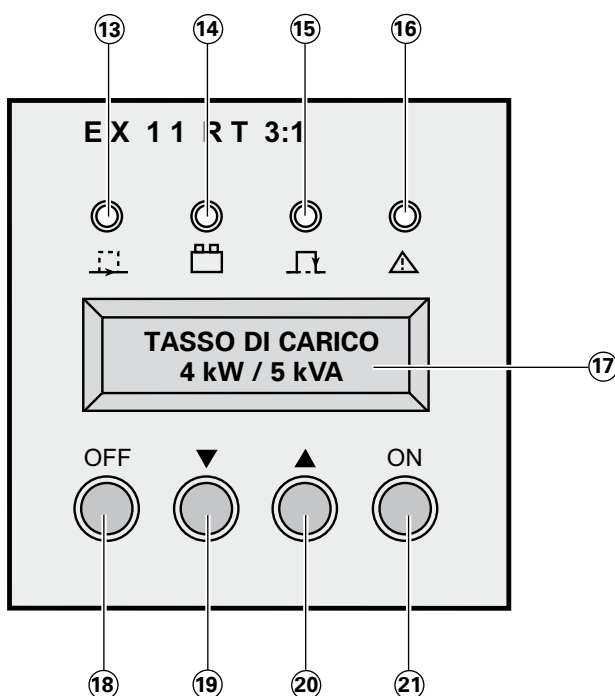
- ① Alloggiamento per scheda di comunicazione.
- ② Porta di comunicazione a relè.
- ③ Porta di arresto di emergenza remoto (REPO).
- ④ Collegamento del rilevamento automatico di modulo/i batteria.
- ⑤ Porta di comunicazione RS232.
- ⑥ Collegamento dei cavi di potenza tra moduli batteria e con l'UPS.
- ⑦ Commutatore manuale di By-pass.
- ⑧ Morsettiera di uscita per le apparecchiature collegate.
- ⑨ Disgiuntore della rete di ingresso CA Normale.
- ⑩ Morsettiera della rete di ingresso CA Normale.
- ⑪ Morsettiera della rete di ingresso CA By-pass.

Modulo batteria EX RT EXB 7/11



- ④ Collegamento del rilevamento automatico di modulo/i batteria.
- ⑥ Collegamento dei cavi di potenza tra moduli batteria e con l'UPS.
- ⑫ Interruttore di protezione della batteria.

1.3 Pannello di controllo

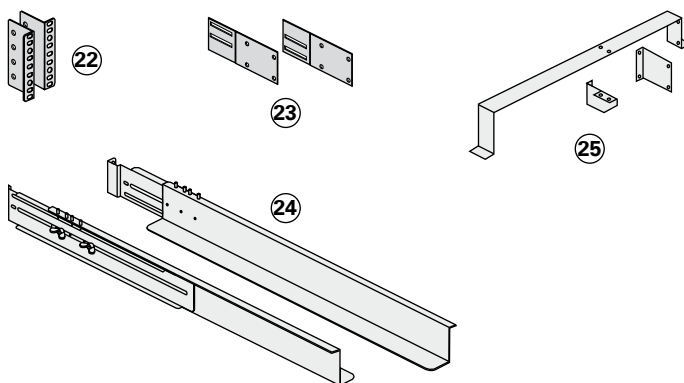


- ⑬ Spia apparecchiature protette.
- ⑭ Spia funzionamento a batteria.
- ⑮ Spia funzionamento in modalità By-pass.
- ⑯ Spia di difetto.
- ⑰ Display alfanumerico.
- ⑱ Pulsante di arresto dell'UPS.
- ⑲ ⑳ Tasti funzione (scorrimento verso l'alto e verso il basso).
- ㉑ Pulsante di messa in funzione dell'UPS (o tasto funzione del display in modalità di personalizzazione).

1.4 Opzioni

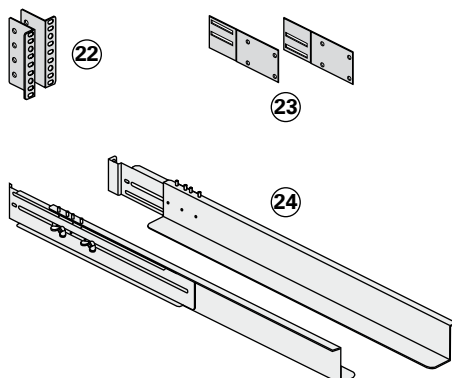
Kit di montaggio in slot

Guide telescopiche ed accessori per il montaggio del modulo di potenza in slot da 19"
(Riferimento 68001)



- ㉒ Squadrette di fissaggio anteriori del modulo sui montanti laterali dello slot.
- ㉓ Sistema di fissaggio posteriore per il trasporto all'interno dello slot.
- ㉔ Guide telescopiche da 639 a 1005 mm di lunghezza in grado di supportare il modulo.
- ㉕ Sistema di fissaggio della scatola degli ingressi/uscita.

Guide telescopiche ed accessori per il montaggio del modulo batteria in slot da 19"
(Riferimento 68002)

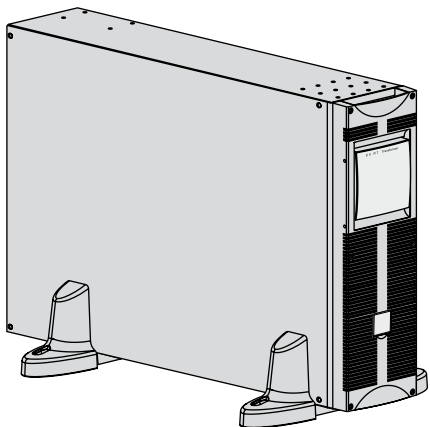


- ㉒ Squadrette di fissaggio anteriori del modulo sui montanti laterali dello slot.
- ㉓ Sistema di fissaggio posteriore per il trasporto all'interno dello slot.
- ㉔ Guide telescopiche da 639 a 1005 mm di lunghezza in grado di supportare il modulo.

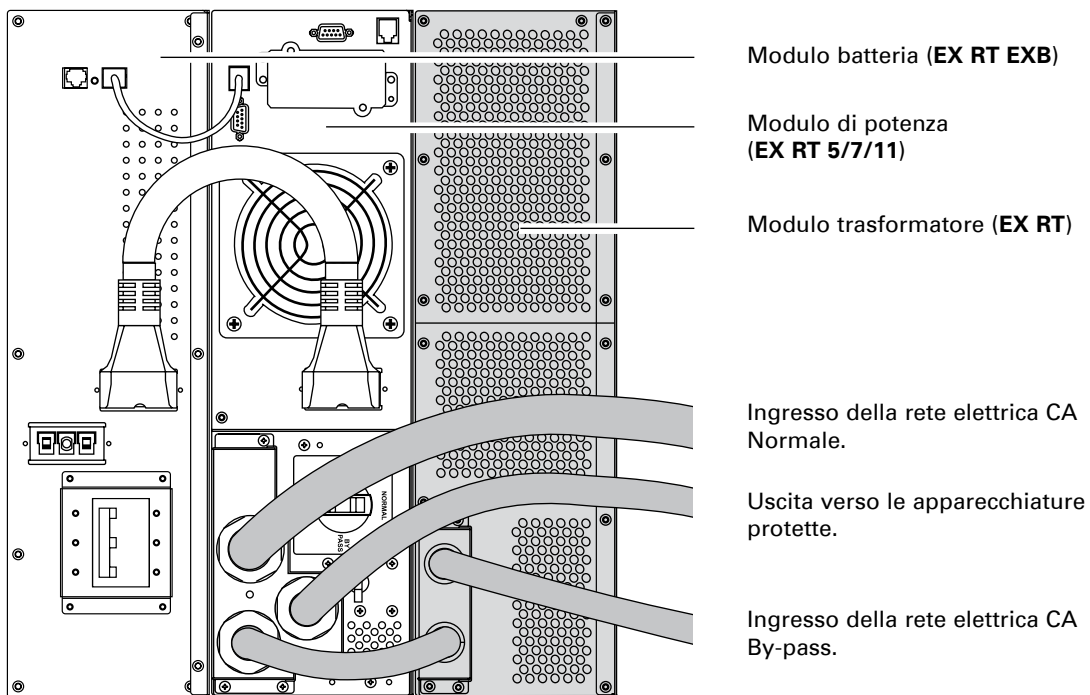
1. Presentazione

Trasformatore di isolamento galvanico o di adattamento agli schemi di collegamento alla terra (Riferimento 68003)

Questo modulo è necessario sia per ottenere un regime di neutro a valle dell'UPS differente dal regime di neutro a monte, sia per accrescere la disponibilità dell'alimentazione elettrica con una rete separata.



Esempio di un trasformatore EX RT posto a monte di EX RT per isolamento galvanico

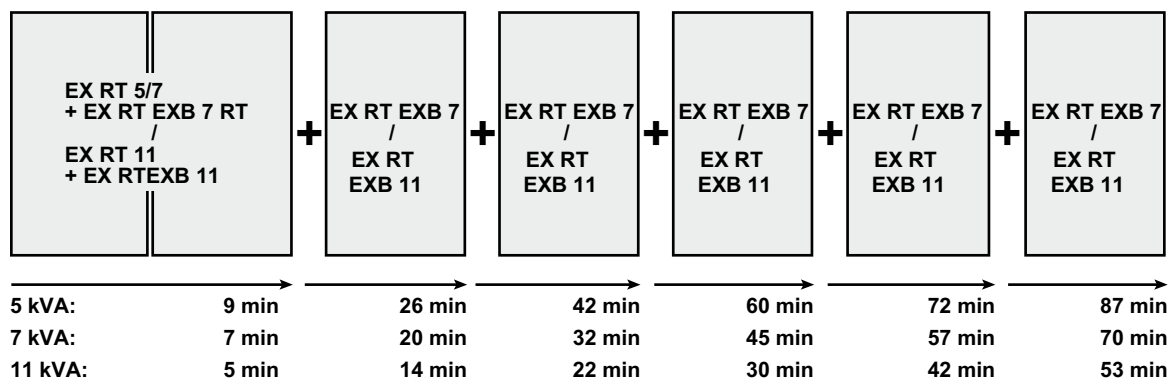


1. Presentazione

Estensioni batteria per autonomie batteria da 60 minuti max. (a piena potenza)

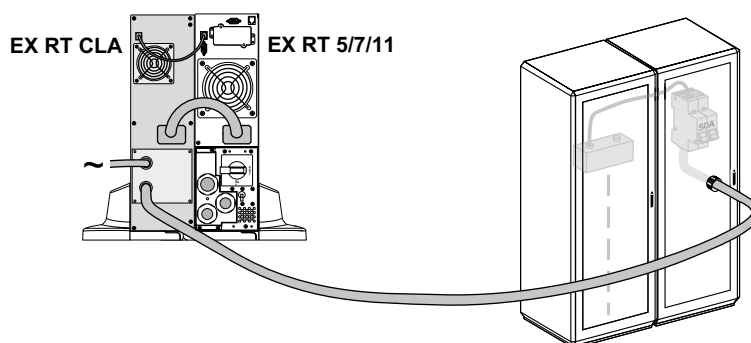
EX RT offre un'autonomia standard di 5/9 minuti a potenza nominale.
Per aumentare l'autonomia, è possibile collegare moduli **EX RT EXB 7/11** supplementari.

Estensioni batteria per **EX RT 5, EX RT 7 o EX RT 11**



Modulo CLA (Caricatore a Lunga Autonomia) per autonomie da 2 a 8 ore (Rif. 68004)

Le autonomie molto lunghe della batteria, ovvero da 2 a 8 ore a potenza nominale, necessitano l'installazione di un modulo **EX RT CLA**.



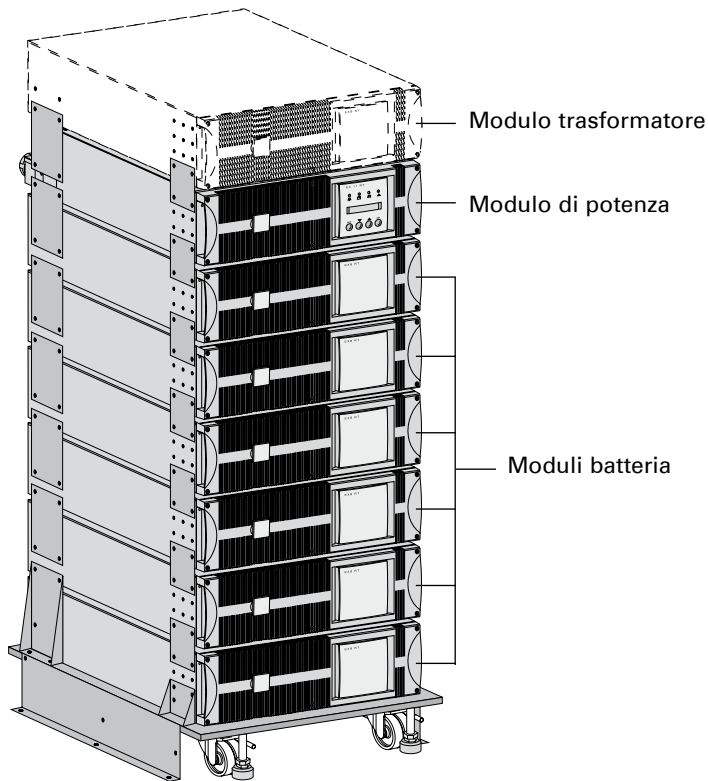
Autonomia batteria	Batterie raccomandate per:		
	EX RT 5	EX RT 7	EX RT 11
2 ore	50 Ah	65 Ah	100 Ah
4 ore	100 Ah	130 Ah	200 Ah
8 ore	200 Ah	260 Ah	400 Ah

Voltaggio totale della batteria: 240 V CC (20 x 12 V CC).

La capacità della batteria dovrà essere personalizzata nell'UPS (regolazione possibile a passi da 5 Ah: cfr. paragrafo "Personalizzazione dell'UPS").

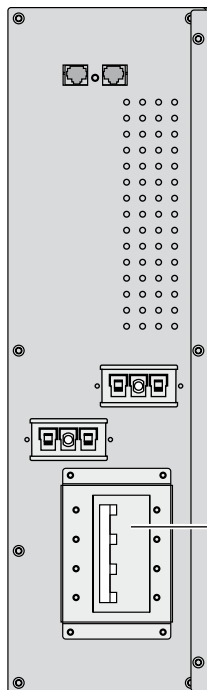
1. Presentazione

Sistema di assemblaggio dei moduli batteria su carrello (Riferimento 68005)



Questo sistema consente di assemblare, nel caso di un UPS con un'autonomia elevata della batteria, fino a 8 moduli impilati su uno stesso carrello (rotelle a raccordi sferici e freni, piedini di livellamento, piastre laterali antisismiche, piastrelle di assemblaggio intermoduli e viteria inclusi).

Modulo batteria munito di un arresto di emergenza (REPO)



Riferimento:
EX RT EXB 7 EPO: 68079
EX RT EXB 11 EPO: 68119

⑫ Interruttore batteria con dispositivo di innesto dell'arresto di emergenza remoto.

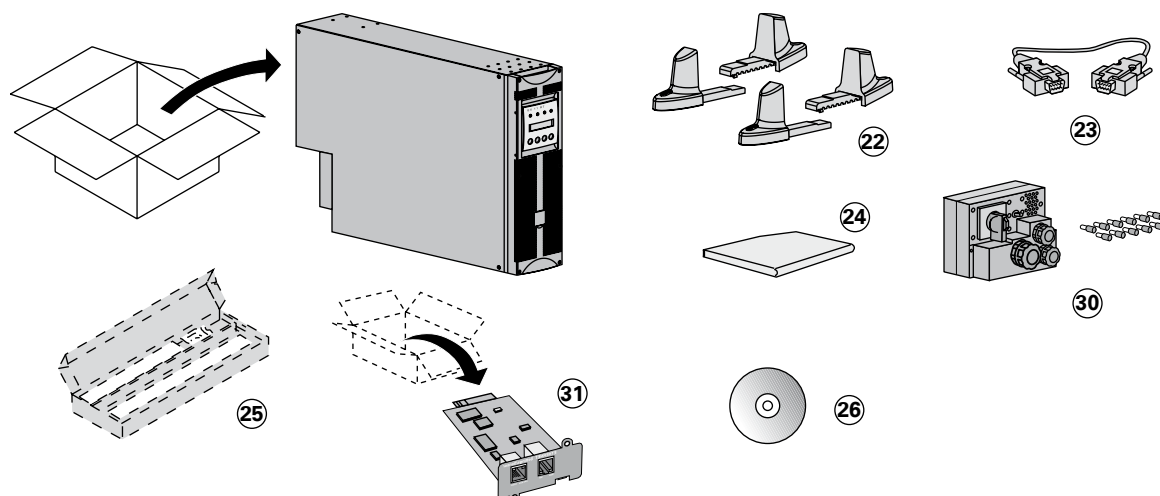
Cavo per modulo batteria distanziato (1,8 m, riferimento 68006)

Questo cavo di lunghezza superiore sarà utilizzato, al posto del cavo batteria standard, nel caso in cui i moduli batteria siano distanziati gli uni dagli altri (ad esempio, nel caso in cui siano collocati in due alloggiamenti differenti).

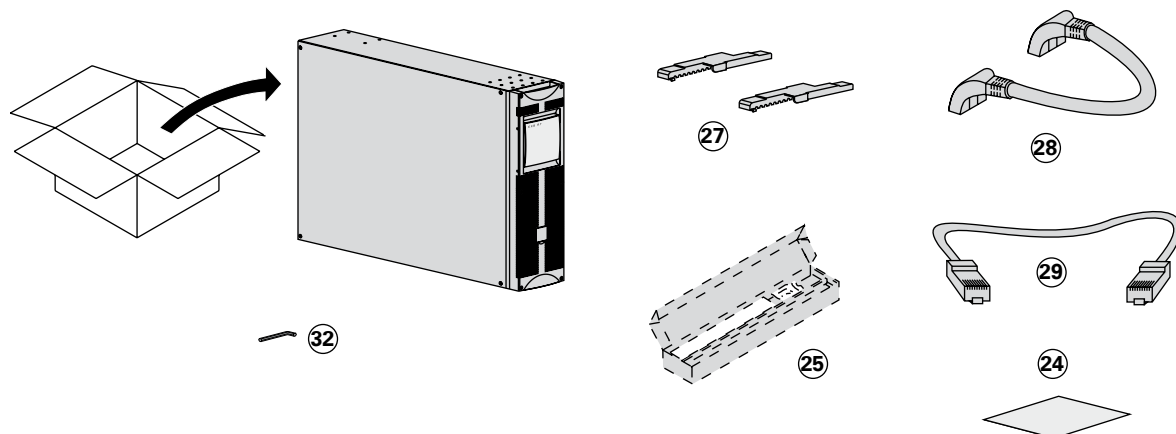
2. Installazione

2.1 Apertura dell'imballaggio e verifica del contenuto

Modulo di potenza



Modulo batteria



②② Piedini di sostegno.

②③ Cavo di comunicazione RS232.

②④ Manuali di installazione e d'uso.

②⑤ Guide telescopiche per montaggio in uno slot da 19" (optional, oppure di serie nella versione **Network Pack**).

②⑥ CD-ROM **Solution-Pac**.

②⑦ Estensioni per i piedini di sostegno.

②⑧ Cavo batteria.

②⑨ Cavo di rilevamento batteria.

③⑩ Morsettiera estraibile degli ingressi/uscita con 11 terminazioni di cablaggio.

③① Scheda di rete (optional, oppure di serie nella versione **Network Pack**).

③② Chiave BTR.



È necessario che gli imballaggi siano smaltiti in conformità con le normative in vigore in materia di rifiuti. Inoltre, su di essi sono riportati simboli di riciclaggio utili per facilitare la raccolta differenziata dei materiali.

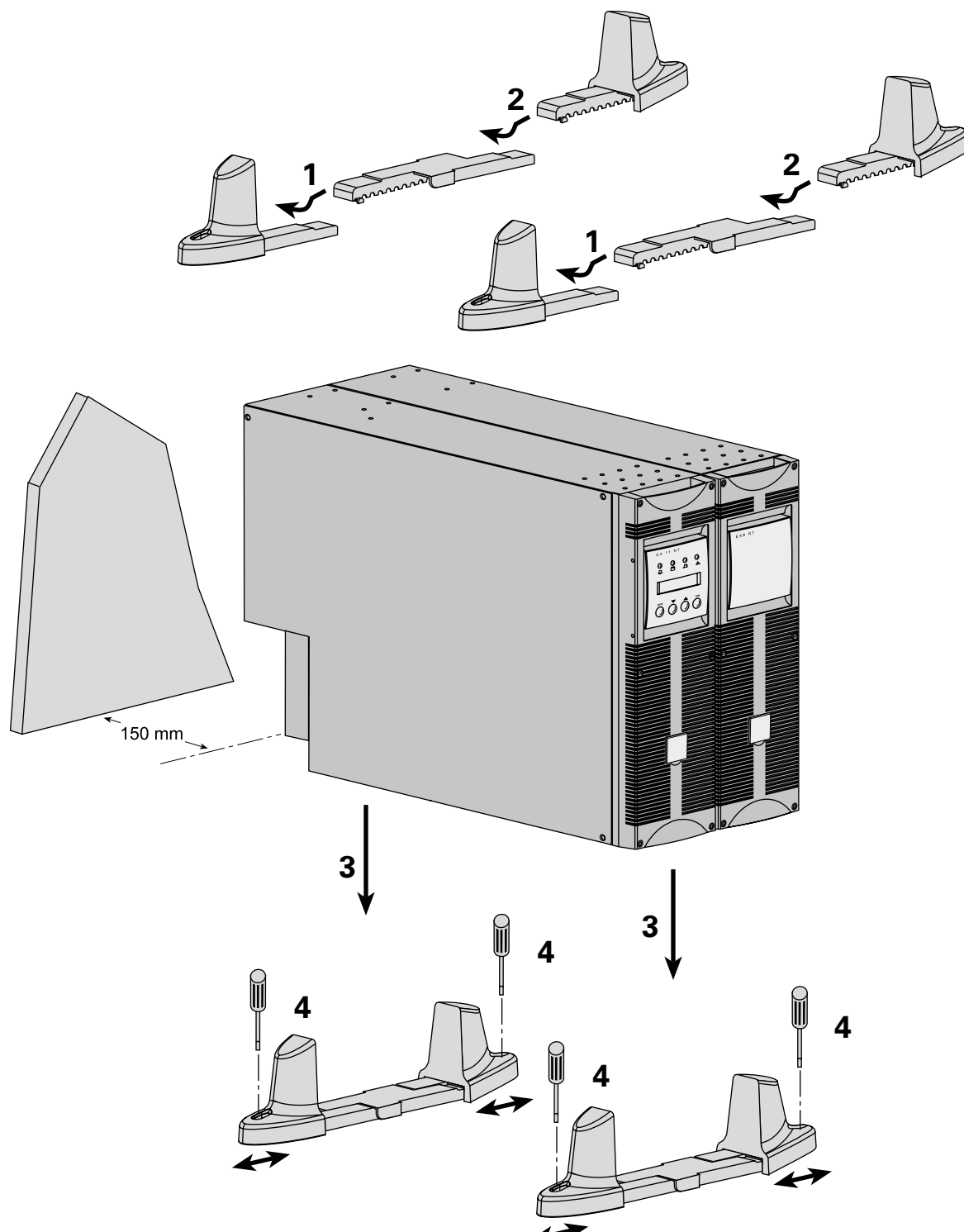
All'interno del modulo di potenza e del modulo batteria è presente un voltaggio pericoloso. Pertanto, qualsiasi intervento su questi moduli deve essere effettuato da personale debitamente qualificato.

2. Installazione

2.2 Installazione nella posizione "tower"



Utilizzare la sagoma di montaggio dei piedini di sostegno fornita in dotazione con il modulo batteria.



Seguire le tappe da 1 a 4 per regolare i piedini di sostegno in posizione verticale.

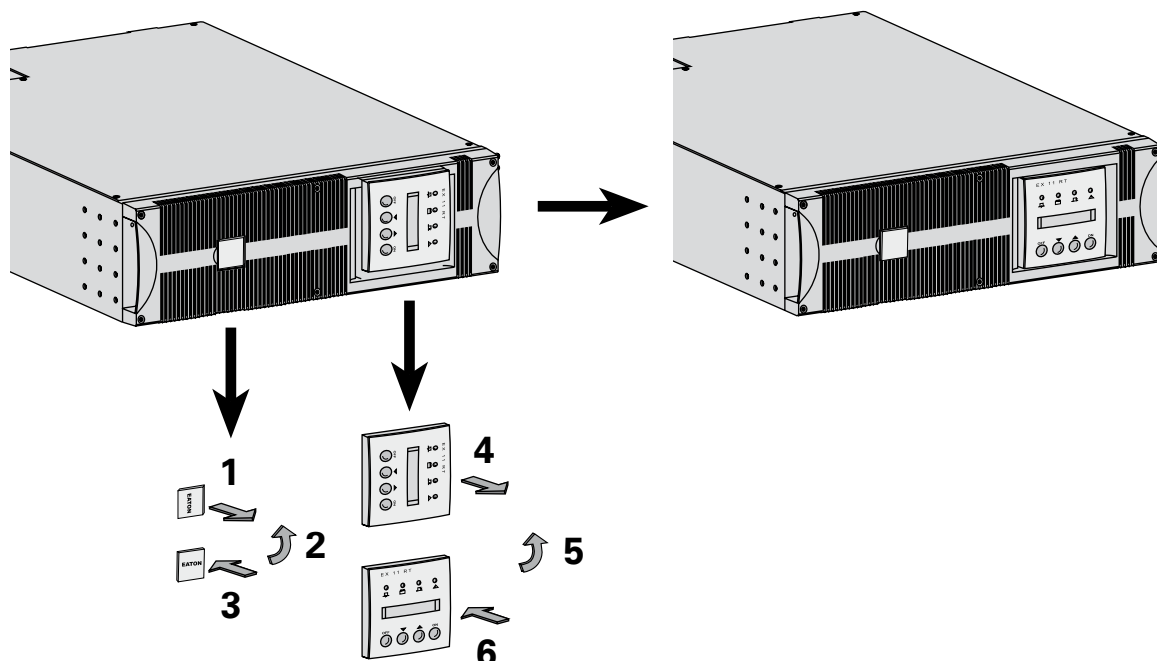


Mantenere uno spazio libero di 150 mm dietro l'UPS.
Lo scarto tra le due coppie di piedini di sostegno deve essere di 450 mm.

2.3 Installazione nella posizione "slot"

Si raccomanda di montare il modulo batteria per primo, poi di montare il modulo di potenza al di sopra di quest'ultimo.

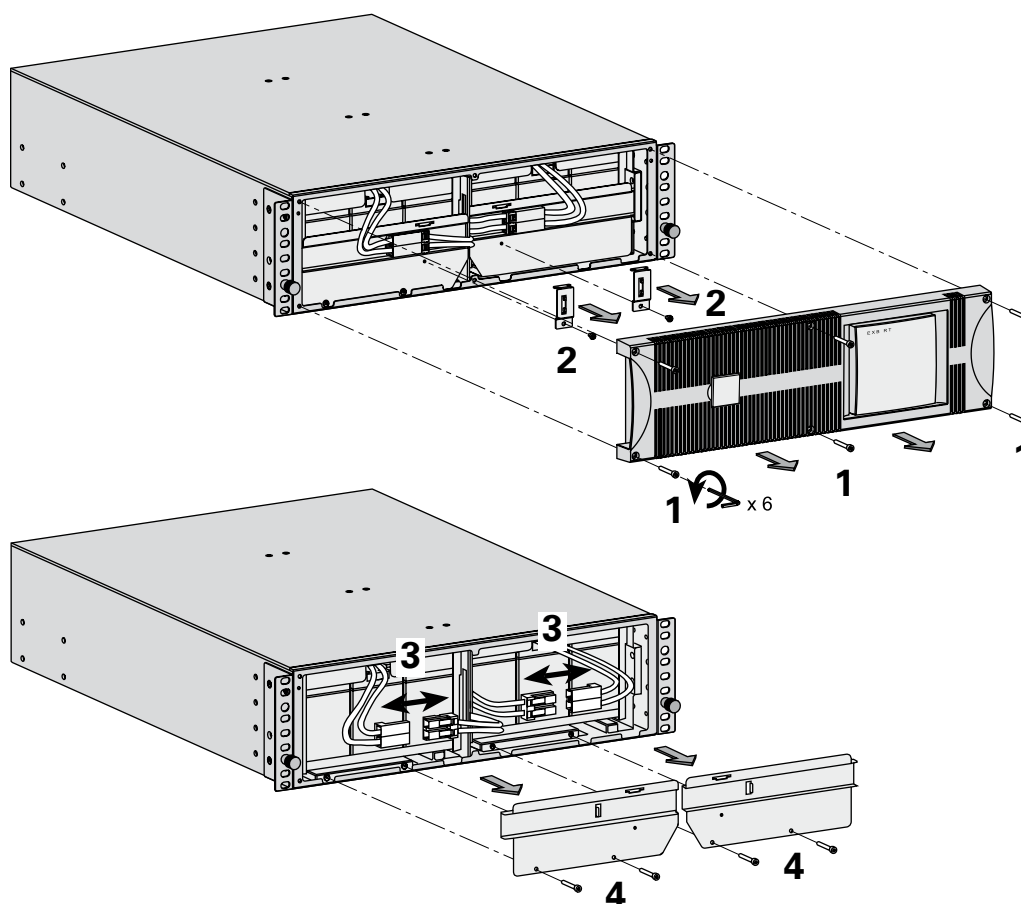
Modifica dell'orientamento del logo e del pannello di controllo



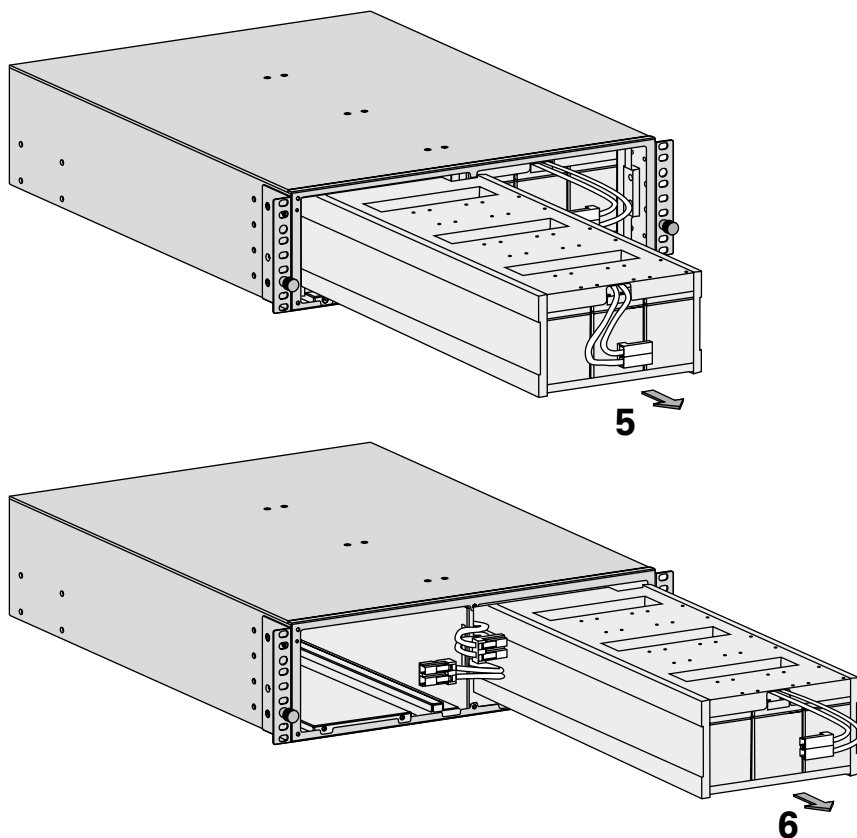
Montaggio in slot del modulo batteria (guide opzionali richieste, riferimento 68006)



Il modulo batteria è molto pesante. Per una manipolazione più agevolata in fase di montaggio, si raccomanda di estrarre gli elementi batteria dal modulo come indicato di seguito:



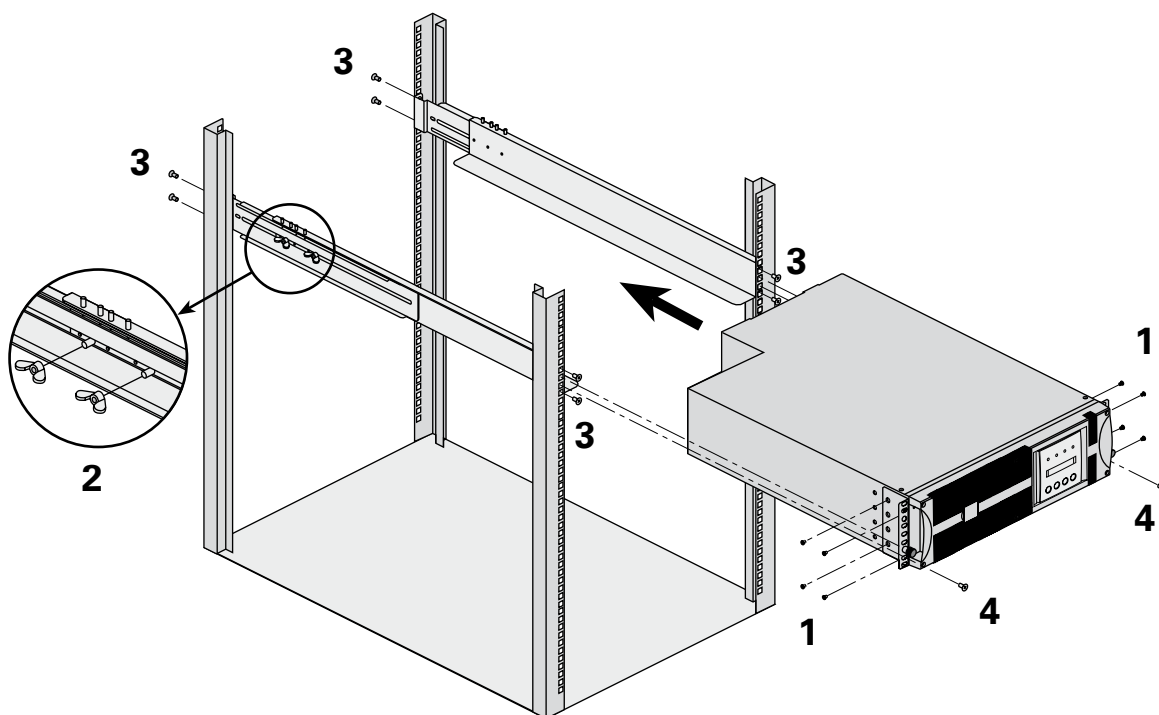
2. Installazione



Montaggio in slot dei moduli potenza o del modulo batteria (guide opzionali richieste, riferimento 68001)



Seguire le tappe da 1 a 4 per il montaggio del modulo sulle sue guide.



Le guide ed il kit di montaggio sono forniti da EATON.

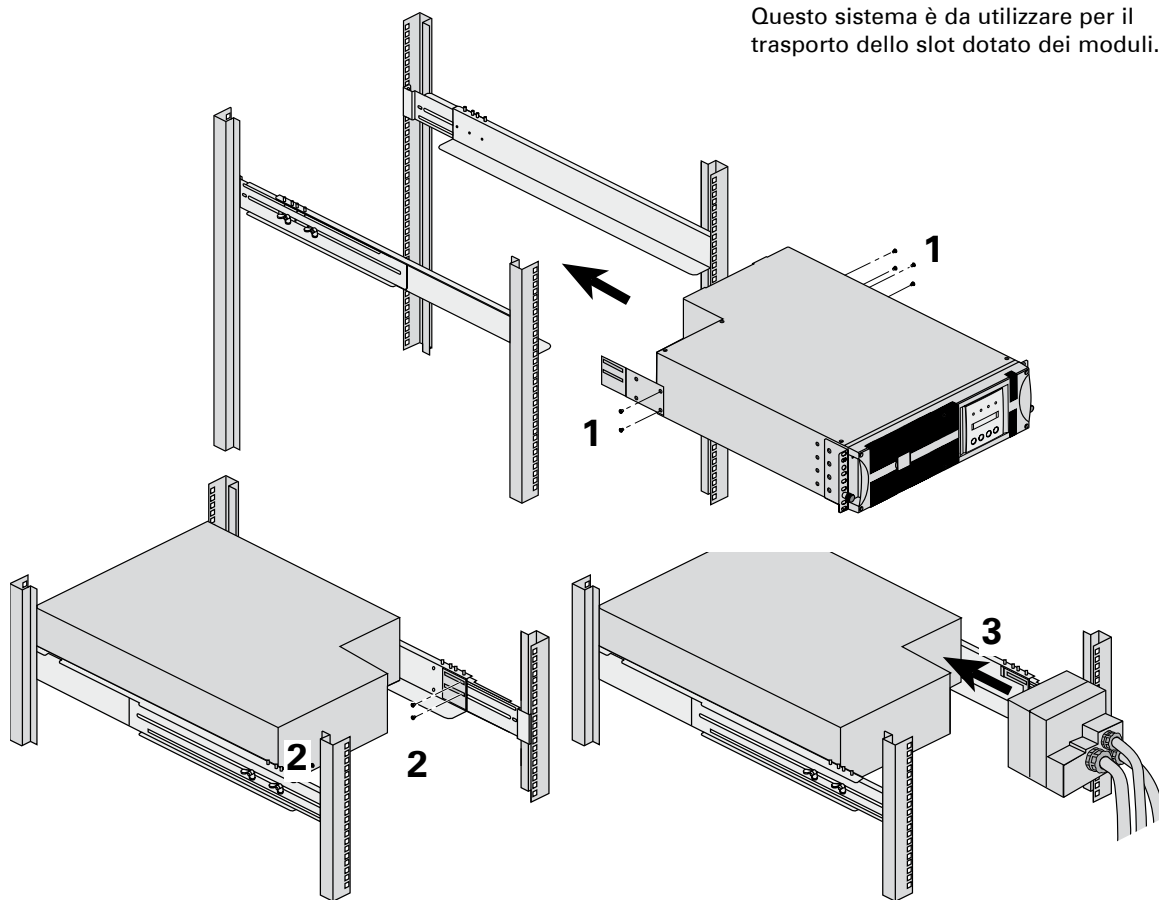
Nota per la tappa 1: è possibile regolare la posizione delle squadrette di fissaggio frontali.

2. Installazione

Sistema di fissaggio posteriore (incluso nel kit delle guide, riferimenti 68001 e 68002)



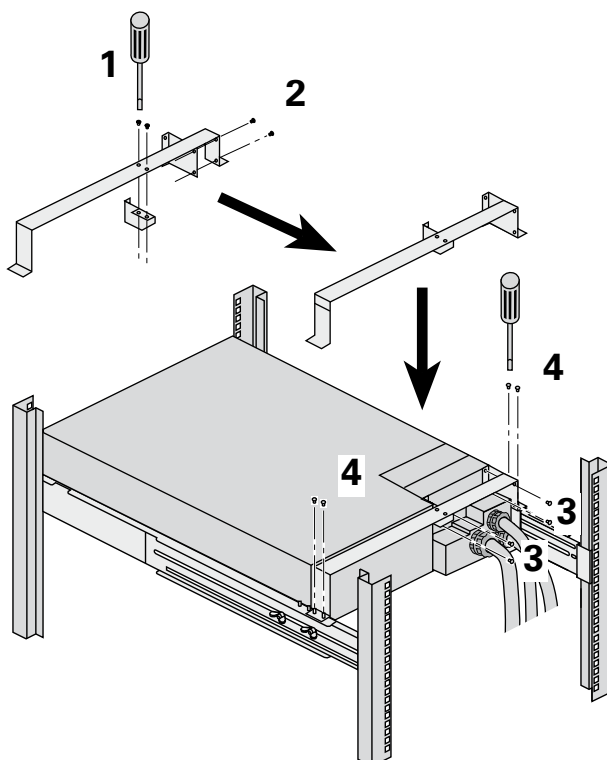
Questo sistema è da utilizzare per il trasporto dello slot dotato dei moduli.



Sistema di fissaggio della scatola degli ingressi/uscita estraibile (incluso nel kit delle guide del modulo di potenza, riferimento 68001)



Questo sistema di fissaggio consente di mantenere la scatola degli ingressi/uscita del modulo sulla parte posteriore dello slot in fase di estrazione del modulo, evitando così di interrompere l'alimentazione delle apparecchiature collegate. Sarà, quindi, più agevole collegare il modulo di sostituzione nei connettori della scatola degli ingressi/uscita.



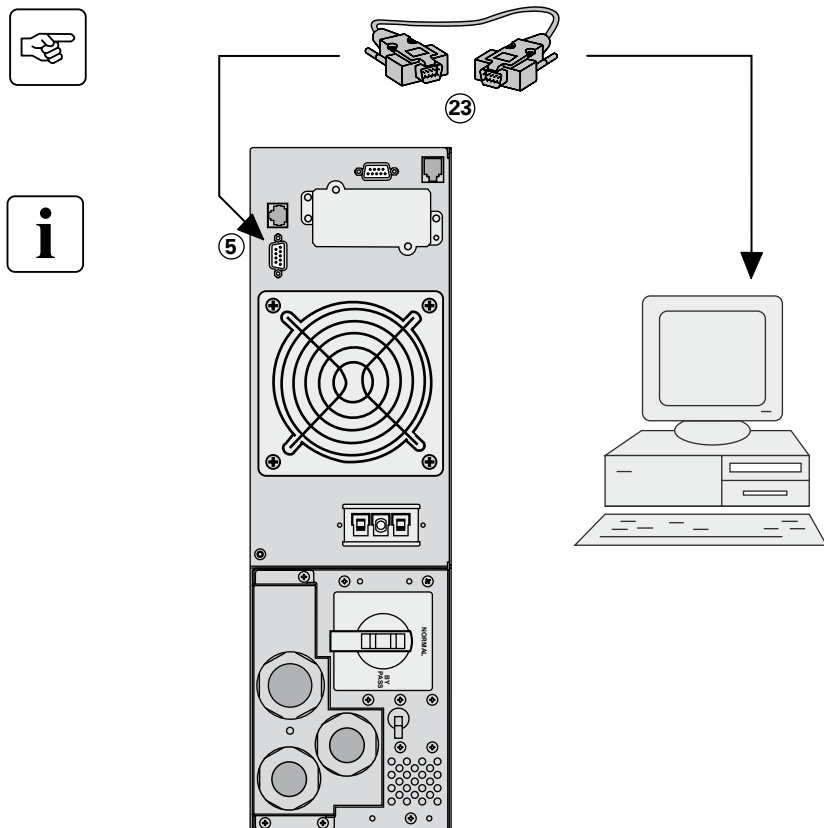
2. Installazione

2.4 Porte di comunicazione

EX RT fornisce tre modalità di comunicazione che possono essere utilizzate simultaneamente:

- La porta COM (5) fornisce un collegamento RS232 che utilizza il protocollo SHUT di EATON compatibile con i software di monitoraggio e di protezione inclusi nel CD-Rom **Solution Pac**.
- La porta di comunicazione a relè (2) è utilizzata per segnalazioni di base o per la protezione dei sistemi informatici, quali IBM iSeries (principalmente AS400) o altri.
- L'alloggiamento (1) per schede di comunicazione può ricevere tutti i tipi di schede EATON (cfr. il sito Web www.eaton.com per conoscere l'elenco completo delle schede compatibili).

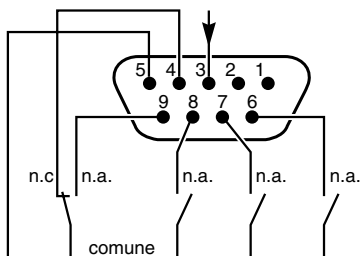
Collegamento della porta di comunicazione RS232



1. Collegare il cavo di comunicazione RS 232 (23) alla porta seriale dell'apparecchiatura informatica.
2. Collegare l'altra estremità del cavo di comunicazione RS 232 (23) alla porta di comunicazione RS232 (5) dell'UPS.

L'UPS è ora in grado di dialogare con il software di configurazione e di supervisione EATON disponibile sul CD-Rom.

Caratteristiche della porta di comunicazione a relè (2)



- Contatti maschi 1, 2: non utilizzati,
 - Contatto maschio 3: ordine di arresto remoto (5 a 27 V CC, 10 mA max.),
 - Contatto maschio 4: funzionamento sulla rete (non a batteria),
 - Contatto maschio 5: comune utenza,
 - Contatto maschio 6: funzionamento su By-pass automatico,
 - Contatto maschio 7: preallarme di fine autonomia della batteria,
 - Contatto maschio 8: apparecchiature utenza protette,
 - Contatto maschio 9: funzionamento a batteria.
- n.a. : contatto normalmente aperto.
n.c. : contatto normalmente chiuso.

Nel momento in cui un'informazione è attiva, il contatto è chiuso tra il contatto maschio comune 5 ed il contatto maschio dell'informazione corrispondente.

Caratteristiche dei relè di uscita

- Voltaggio: 48 V CC max.,
- Corrente: 2 A max.,
- Potenza: 62,5 VA / 30 W.

Esempio: per un voltaggio da 48 V CC, la corrente massima è pari a 625 mA.

Arresto di emergenza

L'installazione di un arresto di emergenza deve essere effettuata nel rispetto delle norme in vigore.

Per poter ottenere una messa fuori tensione completa dell'impianto e di **EX RT** mediante l'azionamento di un arresto di emergenza, è necessario:

- utilizzare un pulsante ad aggancio (il contatto normalmente aperto o normalmente chiuso deve essere mantenuto almeno un secondo per poter essere trasmesso);
- utilizzare il o i moduli batteria **EX RT EXB EPO**;
- collegare al pulsante ad aggancio un dispositivo unico che consenta l'apertura del o dei disgiuntori posti a **monte**⁽¹⁾ delle reti CA NORMALE e CA BY PASS nonché a **valle**⁽²⁾ di **EX RT** mediante l'inserimento di dispositivi di sblocco a invio di tipo MX.

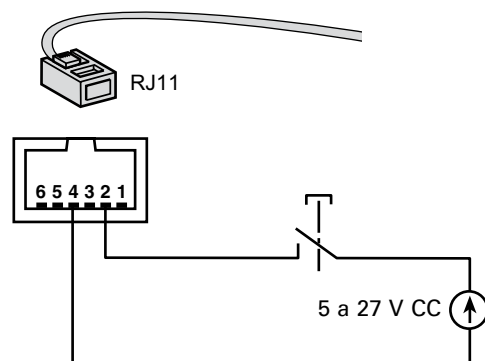
(1) In caso contrario, si verifica un ritorno di tensione attraverso la rete CA BY PASS una volta rilasciato il contatto di arresto di emergenza.

(2) In caso contrario, la tensione rimane presente in uscita per alcuni secondi dopo l'arresto di emergenza.

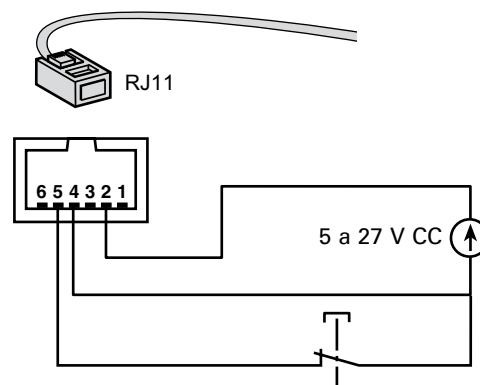
Collegamento dell'arresto di emergenza ③

Utilizzata congiuntamente con il modulo batteria EPO, questa porta consente un isolamento totale di tutte le sorgenti collegate sull'**UPS** in occasione di un arresto di emergenza (il cavo di collegamento non è fornito in dotazione).

Contatto di arresto di emergenza normalmente aperto

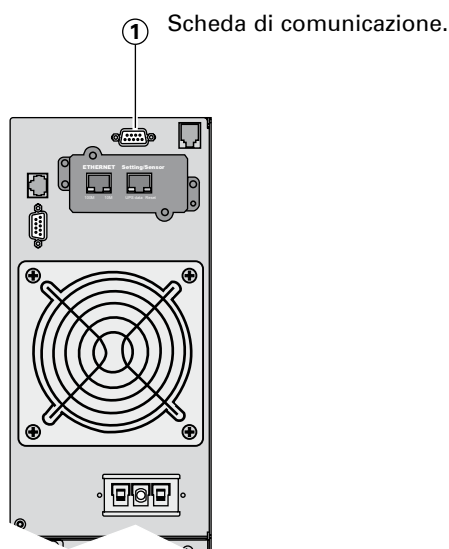


Contatto di arresto di emergenza normalmente chiuso



- Segnale da fornire:
- Voltaggio di alimentazione: da 5 a 27 V CC.
- Corrente: 10 mA max.

Installazione delle schede di comunicazione (optional, standard nella versione **Network Pack**)



Non è necessario arrestare l'UPS per installare la scheda di comunicazione:

1. Smontare il coperchio fissato da due viti.
2. Inserire la scheda di comunicazione ① nel suo alloggiamento.
3. Fissare la scheda sulla parte posteriore dell'UPS per mezzo di due viti.

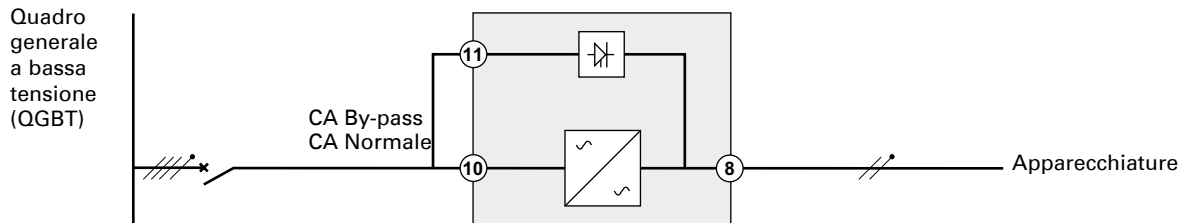
2. Installazione

2.5 Scelta di installazione secondo lo Schema di Collegamento alla Terra (SCT)

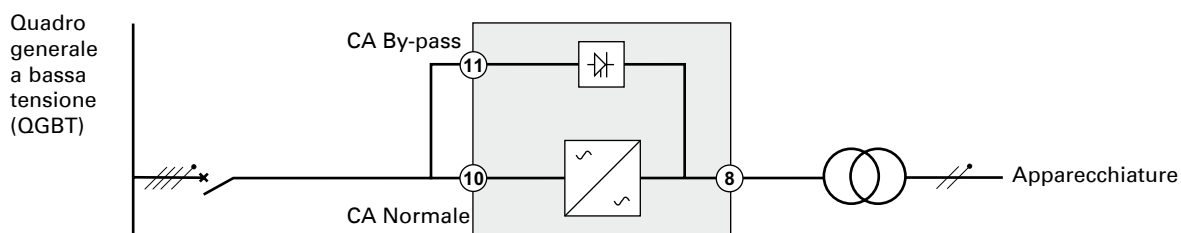


EX RT deve essere alimentato da una rete elettrica trifase con neutro.

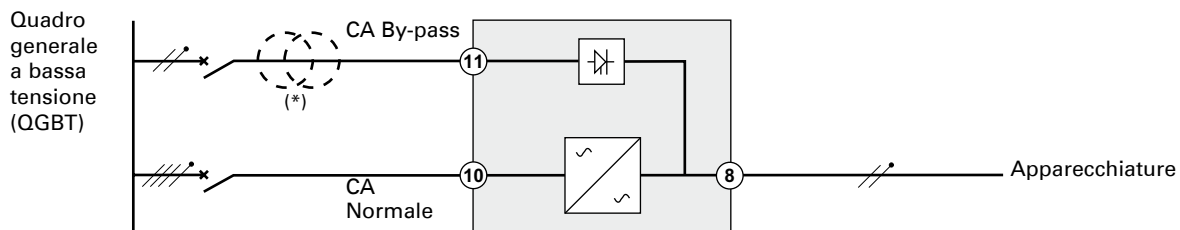
UPS con reti di ingresso CA Normale e CA By-pass comuni



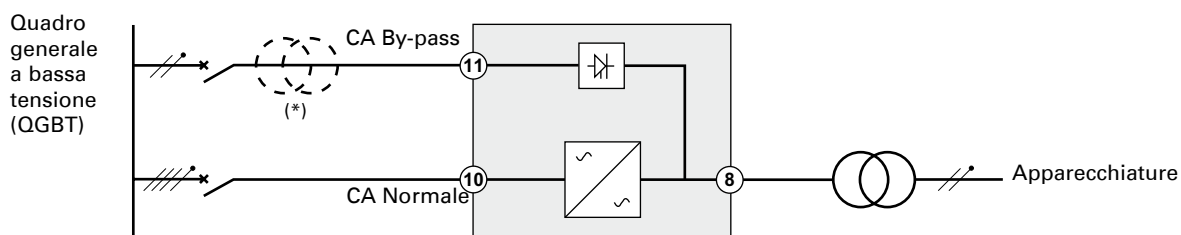
Cambiamento dello SCT tra monte e valle o isolamento galvanico richiesto



UPS con reti di ingresso CA Normale e CA By-pass separate



Cambiamento dello SCT tra monte e valle o isolamento galvanico richiesto

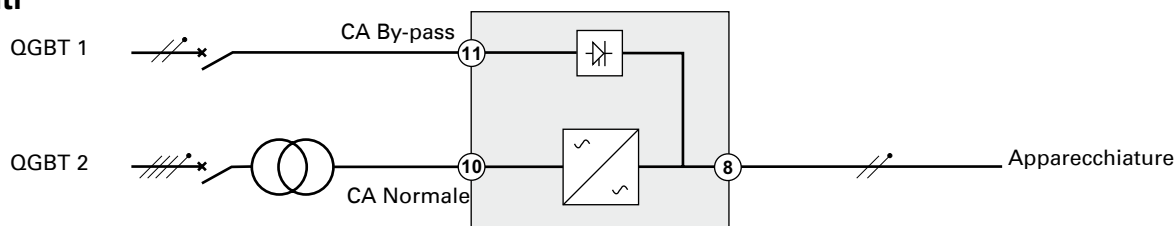


(*): Il trasformatore non è necessario:

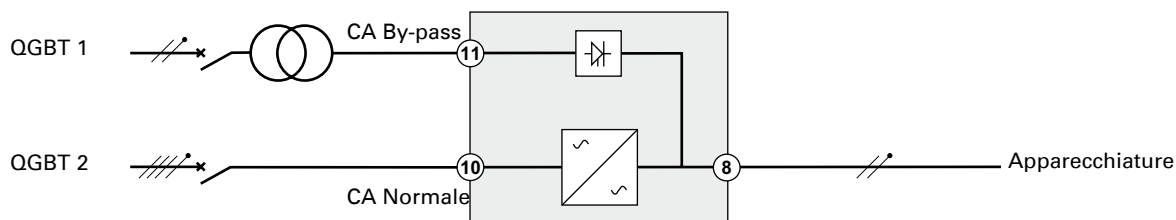
- nel caso in cui le reti di ingresso CA Normale e CA By-pass provengano dalla stessa sorgente,
- e nel caso in cui la sezione e la lunghezza dei cavi delle reti di ingresso CA Normale e CA By-pass siano identiche,
- e nel caso in cui le reti di ingresso CA Normale e CA By-pass siano protette da un unico interruttore differenziale.

2. Installazione

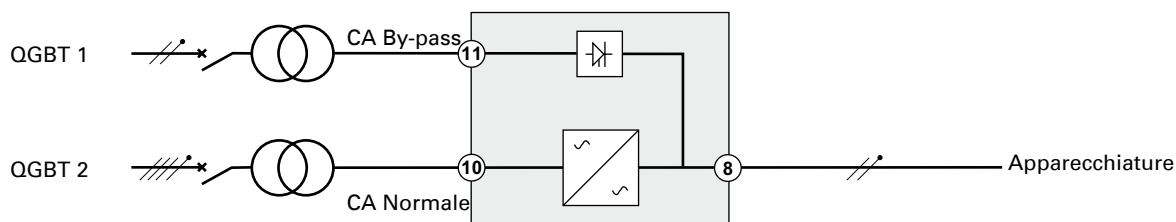
UPS con reti di ingresso CA Normale e CA By-pass separate e provenienti da sorgenti differenti



oppure

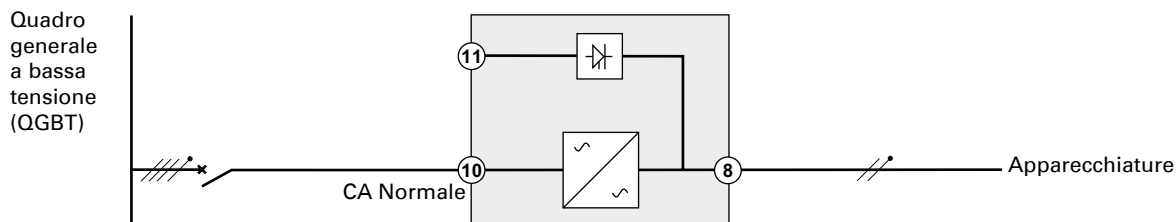


Cambiamento dello SCT tra monte e valle o isolamento galvanico richiesto



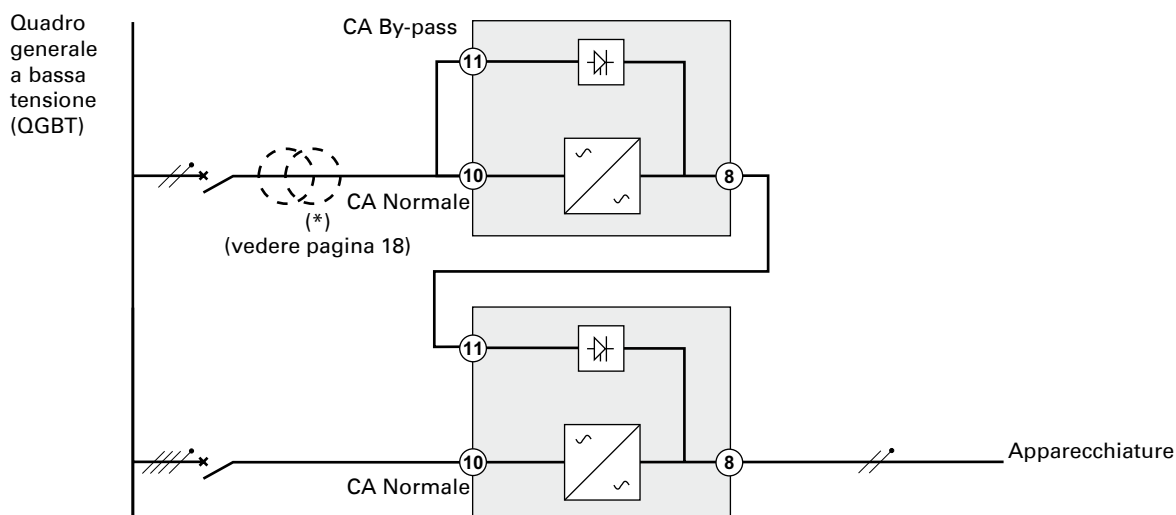
Convertitore di frequenza (senza rete di ingresso CA By-pass)

Configurazione utilizzata nel caso in cui la frequenza dell'apparecchiatura differisca dalla frequenza della rete.



Ridondanza di emergenza

Configurazione utilizzata per garantire la piena ridondanza (N+1) in caso di applicazioni critiche.



2. Installazione

2.6 Organi di protezione e sezioni di cavi raccomandati

Protezione a monte raccomandata

Potenza nominale dell'UPS	Reti di ingresso comuni Disgiuntore di protezione a monte CA Normale / CA By-pass	Reti di ingresso separate	
		Disgiuntore di protezione a monte CA Normale	Disgiuntore di protezione a monte CA By-pass
5 kVA	Curva D - 40 A	Curva C - 32 A	Curva D - 40 A
7 kVA	Curva D - 40 A	Curva C - 32 A	Curva D - 40 A
11 kVA	Curva D - 63 A	Curva C - 40 A	Curva D - 63 A



Nota bene: consultare in allegato il diagramma semplificato delle reti di ingresso comuni o separate, il quale mostra l'alloggiamento degli organi di protezione, nonché le caratteristiche dei fusibili interni dell'UPS e le correnti in linea con un UPS operante in sovraccarico.

Protezione a valle raccomandata

Potenza nominale dell'UPS	Interruttore di protezione a valle
5 kVA	Curva Z - 10 A
	Curva C - 4 A
7 kVA	Curva Z - 10 A
	Curva C - 4 A
11 kVA	Curva Z - 10 A
	Curva C - 6 A

Le protezioni indicate, siano esse alimentate dalla rete CA Normale o CA By-pass, garantiscono la discriminazione tra ogni partenza a valle dell'UPS.

Nel caso in cui queste raccomandazioni non siano rispettate, la selettività delle protezioni non è garantita e l'alimentazione delle apparecchiature collegate rischia di essere interrotta.



Nota bene: consultare in allegato il diagramma semplificato delle reti di ingresso comuni o separate, il quale mostra l'alloggiamento degli organi di protezione, nonché le caratteristiche dei fusibili interni dell'UPS e le correnti in linea con un UPS operante in sovraccarico.

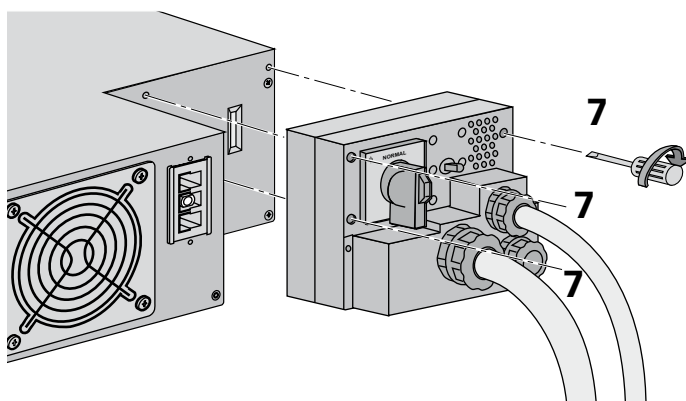
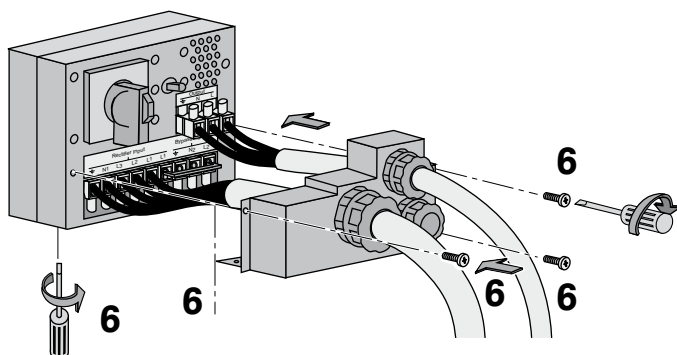
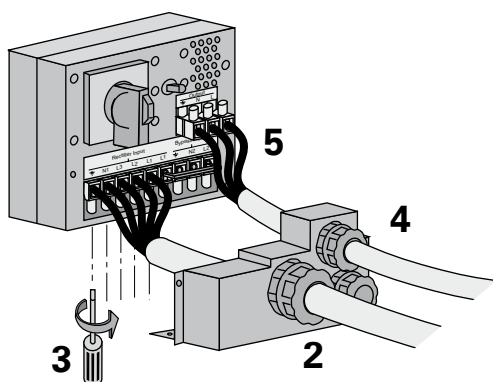
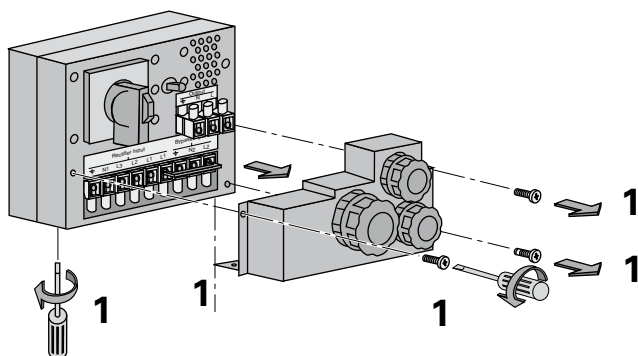
Sezioni di cavo raccomandate

- Capacità della morsettiera: 10 mm², cavo rigido o flessibile (massimo 13 mm² o AWG 6).
- Capacità del conduttore di terra: 10 mm², cavo rigido o flessibile (massimo 13 mm² o AWG 6).

2.7 Collegamento dei cavi di potenza di ingresso ed uscita

- È necessario che questi collegamenti siano realizzati ad opera di personale qualificato.
- Prima di effettuare i collegamenti, verificare che l'interruttore batteria (12) sia sulla posizione "0" e che gli interruttori di protezione a monte delle reti CA Normale e CA By-pass siano aperti (posizione "0").
- **EX RT** è fornito sempre con le reti di ingresso CA Normale e CA By-pass collegate da un ponte cablato sulla morsettiera.
- Per quanto riguarda i cavi flessibili, utilizzare le terminazioni di cablaggio fornite in dotazione con la scatola degli ingressi/uscita.

Collegamento di un UPS con reti di ingresso CA Normale e CA By-pass comuni



Per accedere alle morsettiere, consultare il paragrafo 1.2 "Parti posteriori".

- 1 - Rimuovere la copertura di protezione delle morsettiere (fissata con 5 viti),
- 2 - Far passare il cavo CA Normale attraverso il serracavo,
- 3 - Collegare i 5 fili alla morsettiera CA Normale,

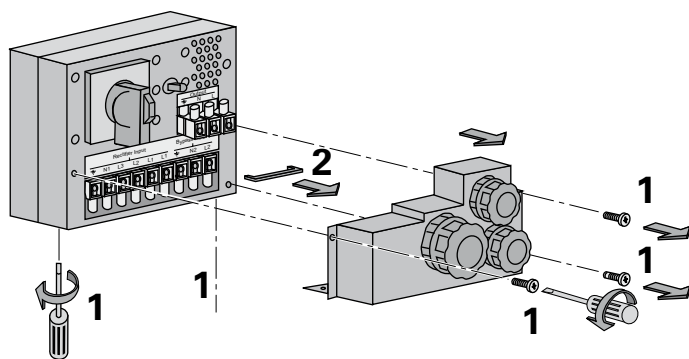


Collegare sempre il filo di terra per primo.

- 4 - Far passare il cavo di uscita che alimenta le apparecchiature attraverso il serracavo,
- 5 - Collegare i 3 fili alla morsettiera di uscita,
- 6 - Riposizionare la copertura di protezione delle morsettiere e serrare i serracavi,
- 7 - Fissare la scatola degli ingressi/uscita sulla parte posteriore del modulo di potenza per mezzo delle 3 viti.

2. Installazione

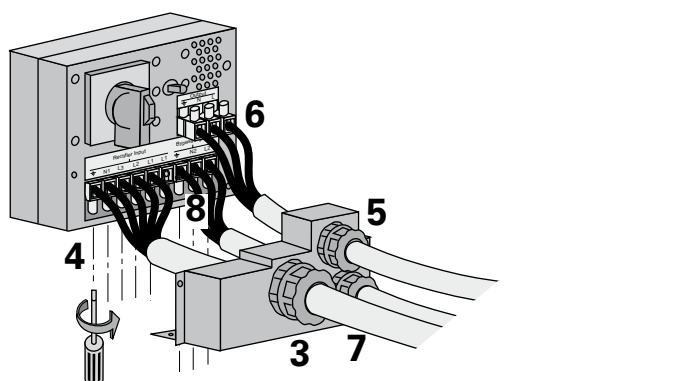
Collegamento di un UPS con reti di ingresso CA Normale e CA By-pass separate



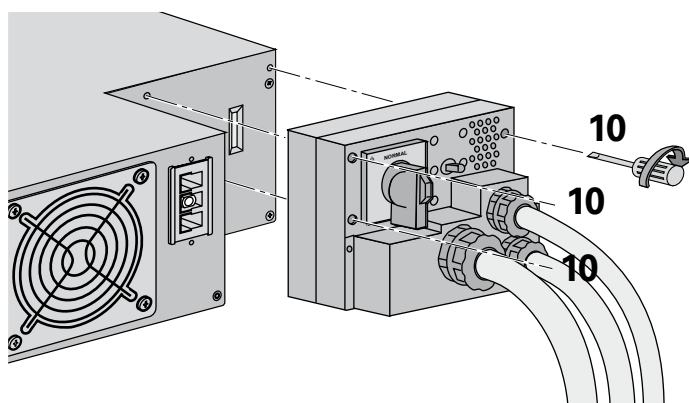
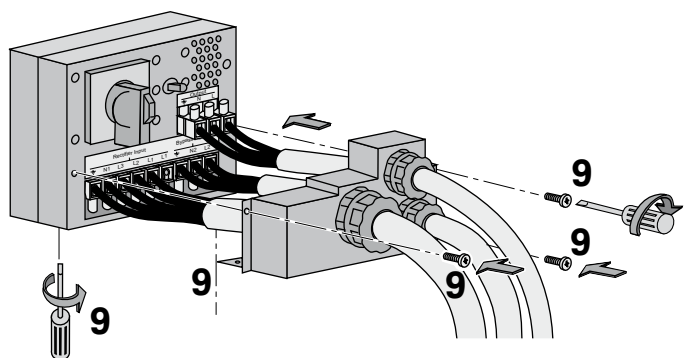
- 1 - Rimuovere la copertura di protezione delle morsettiere (fissata con 5 viti),
- 2 - Rimuovere il ponte cablato tra i morsetti L2 e L1,
- 3 - Far passare il cavo CA Normale attraverso il serracavo,
- 4 - Collegare i 5 fili alla morsettieria CA Normale,



Collegare sempre il filo di terra per primo.

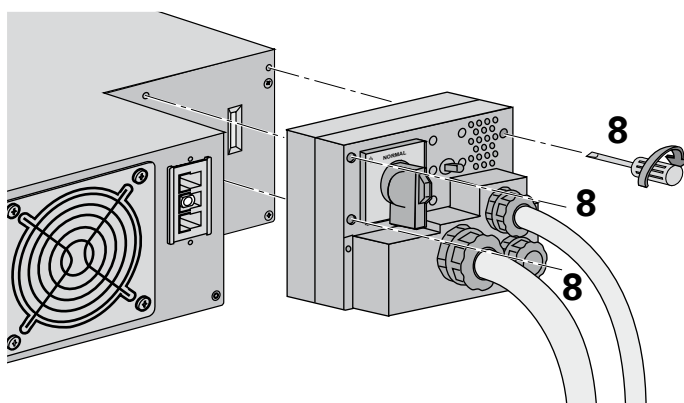
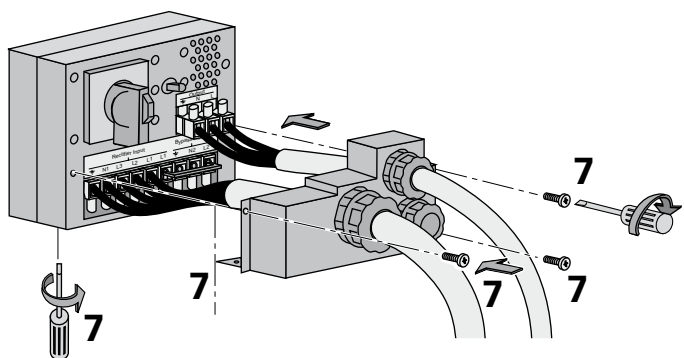
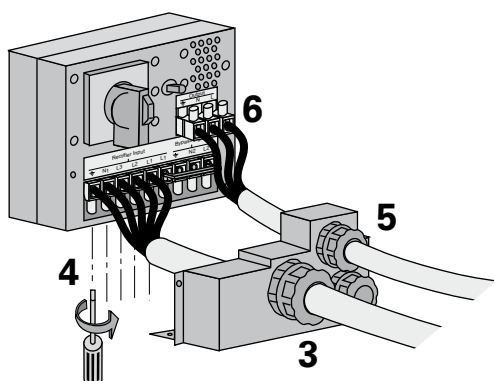
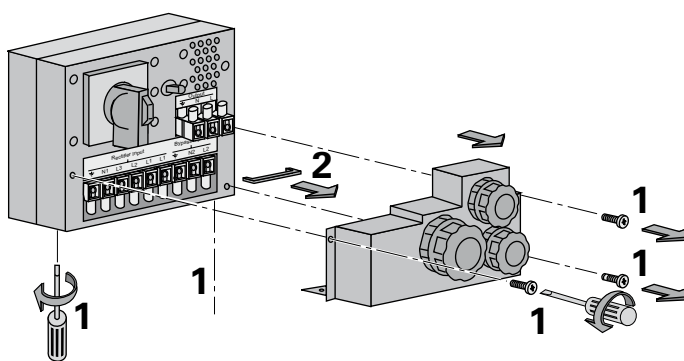


- 5 - Far passare il cavo di uscita che alimenta le apparecchiature attraverso il serracavo,
- 6 - Collegare i 3 fili alla morsettieria di uscita,
- 7 - Far passare il cavo CA By-pass attraverso il serracavo,
- 8 - Collegare i 3 fili alla morsettieria CA By-pass,
- 9 - Riposizionare la copertura di protezione delle morsettiere e serrare i serracavi,
- 10 - Fissare la scatola degli ingressi/uscita sulla parte posteriore del modulo di potenza per mezzo delle 3 viti.



2. Installazione

Collegamento del convertitore di frequenza



- 1 - Rimuovere la copertura di protezione delle morsettiere (fissata con 5 viti),
- 2 - Rimuovere il ponte cablato tra L2 e L1,
- 3 - Far passare il cavo CA Normale attraverso il serracavo,
- 4 - Collegare i 5 fili alla morsetteria CA Normale,



Collegare sempre il filo di terra per primo.

- 5 - Far passare il cavo di uscita che alimenta le apparecchiature attraverso il serracavo,

- 6 - Collegare i 3 fili alla morsetteria di uscita,



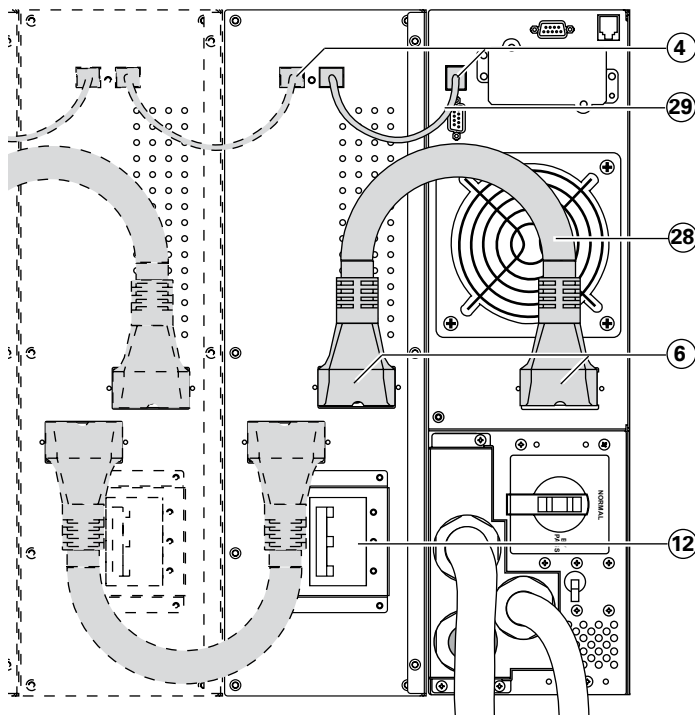
Non collegare nulla sulla morsetteria CA By-pass.

- 7 - Riposizionare la copertura di protezione delle morsettiere e serrare i serracavi,

- 8 - Fissare la scatola degli ingressi/uscita sulla parte posteriore del modulo di potenza per mezzo delle 3 viti.

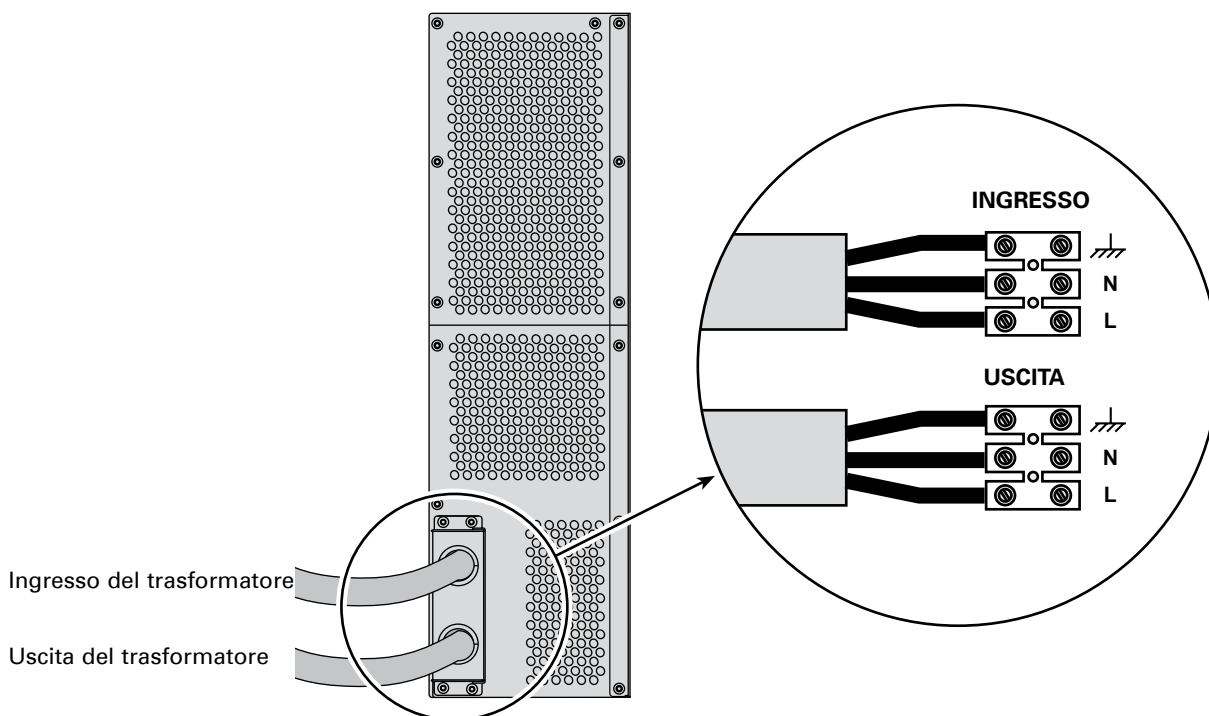
2. Installazione

Collegamento dei cavi batteria



- 1 - Verificare che l'interruttore batteria (12) sia sulla posizione "0",
- 2 - Collegare il cavo batteria (28) sul connettore (6) dei moduli di potenza e batteria,
- 3 - Collegare il cavo di rilevamento batteria (29) sui connettori (4) dei moduli di potenza e batteria.

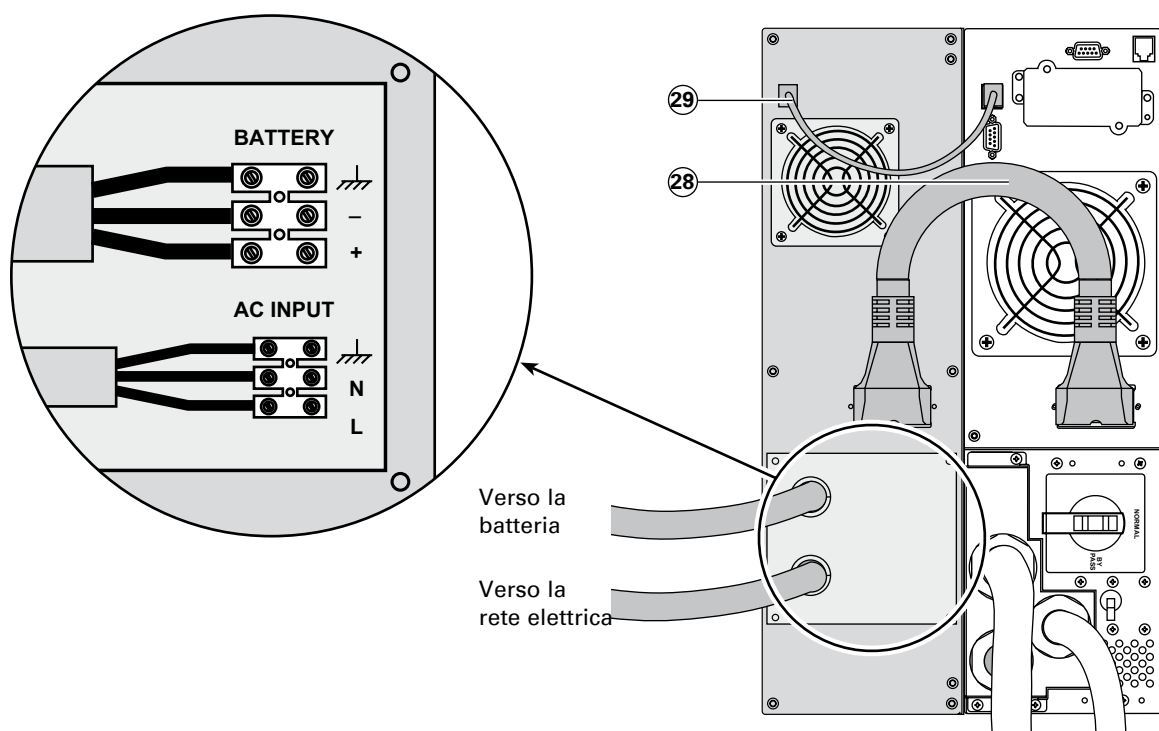
Collegamento del trasformatore di isolamento galvanico



- Sezione del cavo di uscita (non fornito): 10 mm², cavo rigido o flessibile (massimo 13 mm² o AWG 6).
- Sezione del cavo di ingresso (non fornito): 10 mm², cavo rigido o flessibile (massimo 13 mm² o AWG 6).

2. Installazione

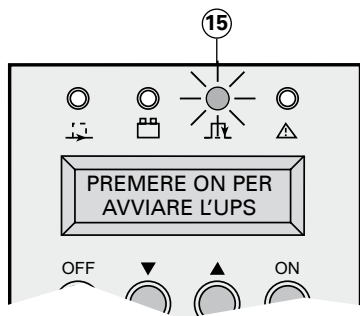
Collegamento del modulo Caricatore a Lunga Autonomia (CLA)



- Batteria 28 (fornito in dotazione con il modulo **CLA**) tra il modulo di potenza ed il modulo **CLA**.
- Collegare il cavo 29 (fornito unitamente al modulo **CLA**) tra il modulo di potenza ed il modulo **CLA**.
- Collegare la batteria:
 - Sezione del cavo (non fornito): 10 mm², cavo rigido o flessibile (massimo 13 mm² o AWG 6).
 - Utilizzare un interruttore (curva B, 50 A) per la protezione del cavo.
- Collegare il cavo di alimentazione del modulo **CLA** alla rete elettrica:
 - Sezione del cavo di ingresso (non fornito): 2,5 mm²,
 - Utilizzare un interruttore (curva C, 10 A) per la protezione del cavo.

3. Uso

3.1 Messa in funzione iniziale



Verificare che il commutatore di By-pass manuale (7) sia in posizione "Normale".
 Posizionare il disgiuntore della rete CA Normale (9) sulla posizione "I".
 Posizionare l'interruttore batteria (12) sulla posizione "I".

Le apparecchiature collegate sono alimentate dalla sorgente CA By-pass, ma non sono protette dall'UPS.

La batteria è in fase di ricarica. È necessaria una ricarica pari a 8 ore, affinché la batteria possa fornire l'autonomia nominale. La spia (15) è accesa.

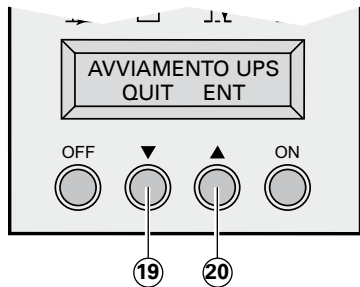
Personalizzazione dell'UPS



Nel caso in cui si preveda una personalizzazione specifica dell'UPS, si raccomanda di accedere alla modalità di personalizzazione dell'UPS in questa fase.

Questa modalità è accessibile tramite i tasti del pannello di controllo oppure tramite il software **Personal Solution Pac** per Windows incluso nel CD-ROM **Solution Pac** di EATON.

Personalizzazione tramite il pannello di controllo



- Premere contemporaneamente i tasti funzione (19) e (20) per più di 3 secondi.
- Premere il tasto funzione (20) posto al di sopra della parola INGR per accedere alla modalità di personalizzazione e seguire i messaggi del display utilizzando i tasti funzione corrispondenti alle diverse scelte proposte.

Personalizzazione locale

Funzione	Personalizzazione d'origine	Opzioni
Lingua	Inglese	Francese, spagnolo, tedesco, italiano.
Formato data/ora	Formato internazionale (GG-MM-AAAA/HH:MM)	Formato US (MM-GG-AAAA/HH:MM AM/PM).
Modifica data/ora	Ora francese	MM-GG-AAAA/HH:M regolabili.
Allarme acustico	Bip rapidi	Bip lenti.

Personalizzazione dell'uscita

Funzione	Personalizzazione d'origine	Opzioni	Commenti
Voltaggio di uscita	230 Volts AC	200/208/220/240/250	
Convertitore di frequenza	Disattivato	Attivato	Rete CA By-pass disattivata.
Frequenza di uscita	Selezione automatica	50/60 Hz	Selezionabile dall'operatore nella modalità convertitore di frequenza.
Modalità ECO	Disattivata	Attivata	Cfr. il glossario.
Ridondanza di emergenza	Disattivata	Attivata	Ridondanza N+1 (Cfr. § 2.5 "Ridondanza di emergenza").
Modalità di funzionamento	Industriale	Rete I/T	(*)
Trasferimento su rete CA By-pass	Se la rete CA By-pass è fuori tolleranza.	Se la rete CA By-pass è in tolleranza.	(*)
Intervallo d'interruzione	10 ms	da 10 a 200 ms (a passi di 10 ms).	Configurazione dell'intervallo d'interruzione al momento del trasferimento sulla rete CA By-pass fuori tolleranza.
Livello di sovraccarico	102 %	50/70 %	

(*) : - Per le apparecchiature informatiche scegliere "Rete I/T" e "CA By-pass in tolleranza".

- Nel caso di continuità di servizio estrema (interruzioni di 10 ms accettate), scegliere "Industriale" e "CA By-pass fuori tolleranza".

Personalizzazione ON/OFF

Funzione	Personalizzazione d'origine	Opzioni	Commenti
Avviamento a batteria	Disattivato	Attivato	Avviamento a batteria.
Arresto forzato	Attivato	Disattivato	Garantisce il riavviamento automatico del sistema, anche se il ripristino della rete elettrica si verifica prima della fine della sequenza di arresto.
Riavviamento automatico	Attivato	Disattivato	Riavviamento automatico dell'UPS al ripristino della rete CA Normale.
Stand-by	Disattivato	Attivato	Arresto automatico dell'autonomia batteria su livello di potenza < 10%.
Funzionamento/arresto tramite software	Attivato	Disattivato	Autorizza la presa in considerazione degli ordini di arresto o di riavviamento provenienti dai software.

Personalizzazione batteria

Funzione	Personalizzazione d'origine	Opzioni	Commenti
Test della batteria	Ogni settimana	Nessun test/giornaliero/mensile	
Preallarme di fine autonomia	20 %	0 a 100 %	Risoluzione pari a 1 %.
Scelta delle autonomie della batteria	Numero di moduli batteria rilevati dall'UPS	Da 50 a 400 Ah	Richiede EX RT CLA se si utilizza questa opzione (cfr. il § 1.4 "Estensioni batteria").
Protezione della batteria contro le scariche profonde	Attivata	Disattivata	Se disattivata, perdita della garanzia EATON.

- Premere il tasto QUIT al termine della personalizzazione.
- Questi parametri sono modificabili soltanto nel caso in cui l'UPS sia in condizione di arresto.

Personalizzazione tramite software esterno



- Inserire il CD-ROM Solution Pac nell'apposito lettore.
- Sulla prima schermata del software di navigazione, selezionare "Installazione" e seguire le istruzioni per installare il software **Personal Solution Pac**.
- Qualora non appaia nulla, eseguire il comando startup.exe
- Poi selezionare "Advanced settings" e "UPS settings".

Si noti che le versioni Linux/Unix/MacOS del software **Personal Solution Pac** non comprendono questa possibilità.

3.2 Sequenza di avviamento dell'UPS



- Premere il tasto ON per più di 3 secondi.
- Dopo la sequenza di test interna dell'UPS, la spia verde (13) si accende.

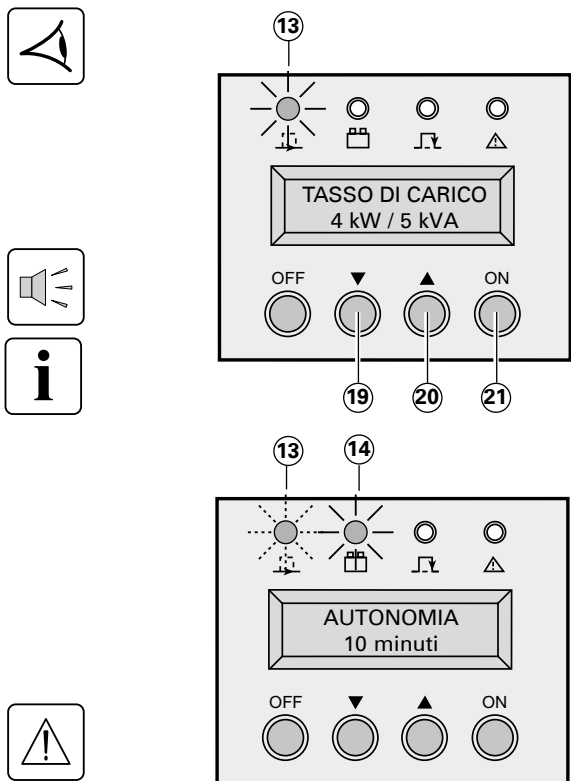


In fase di avviamento, nel caso in cui la rete CA By-pass sia al di fuori delle tolleranze, è probabile che l'UPS provochi un'interruzione di alimentazione delle apparecchiature collegate impostata a 10 ms.

3. Uso

3.3 Modalità di funzionamento

Modalità Normale (conversione doppia)



È la modalità di funzionamento standard, personalizzata in origine.

Questa modalità offre due funzionamenti possibili.

1 - La rete CA Normale è disponibile:

La spia (13) è accesa.

Le apparecchiature collegate sono protette dall'UPS.

In Modalità Normale, il tasto "scroll down" (19) o "scroll up" (20) consente di leggere le misurazioni effettuate sull'UPS (voltage delle reti CA Normale e CA By-pass, modalità di funzionamento, capacità batteria e numero di serie dell'UPS).

2 - La rete CA Normale non è disponibile:

La spia (13) lampeggia.

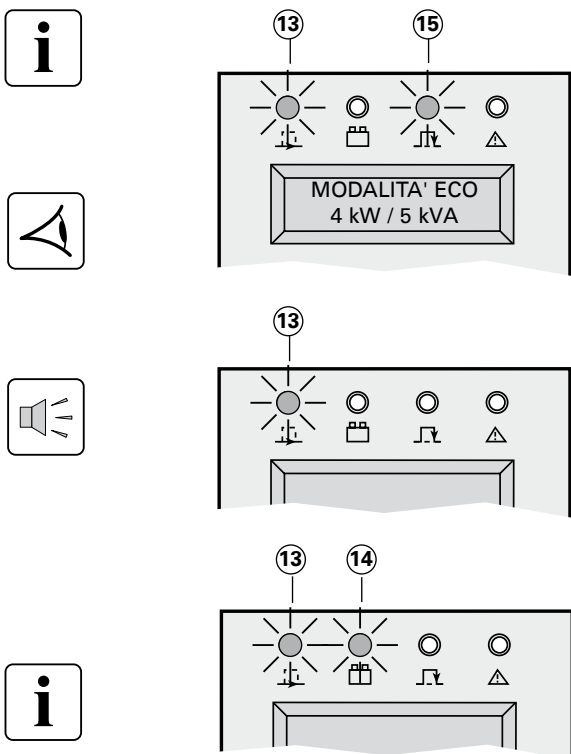
La spia (14) è accesa.

L'allarme acustico funziona ad intermittenza.

Le apparecchiature collegate sono alimentate dall'UPS grazie alla batteria.

Non cambiare la direzione del commutatore manuale di By-pass 7 quando l'UPS si trova in modalità Normale.

Modalità Eco



Il vantaggio principale di questa modalità consiste nella riduzione del consumo elettrico.

Durante il funzionamento in modalità Eco (cfr. glossario), la funzione di filtro dell'UPS è disattivata.

Tre funzionamenti possibili:

1 - La rete CA By-pass è disponibile:

Le spie (13) e (15) sono accese.

Le apparecchiature collegate sono alimentate in modalità Eco.

2 - La rete CA By-pass non è disponibile:

La spia (13) è accesa.

L'allarme acustico funziona ad intermittenza.

Le apparecchiature collegate sono automaticamente alimentate in modalità Normale dalla sorgente CA Normale.

3 - Le reti CA Normale e CA By-pass sono contemporaneamente non disponibili o al di fuori delle tolleranze:

La spia (13) è accesa.

La spia (14) è accesa.

L'allarme acustico funziona ad intermittenza.

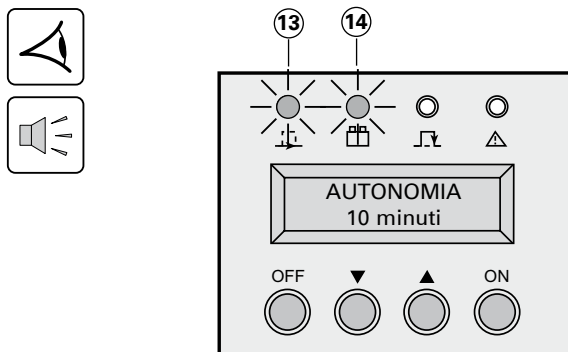
Le apparecchiature collegate sono alimentate dall'UPS grazie alla batteria.

Il display indica l'autonomia batteria rimanente.

3.4 Funzionamento a batteria

Le apparecchiature collegate continuano ad essere alimentate dall'UPS, benché la rete CA Normale non sia più disponibile. L'energia fornita proviene dalla batteria.

Passaggio sulla batteria



La spia **13** è accesa.

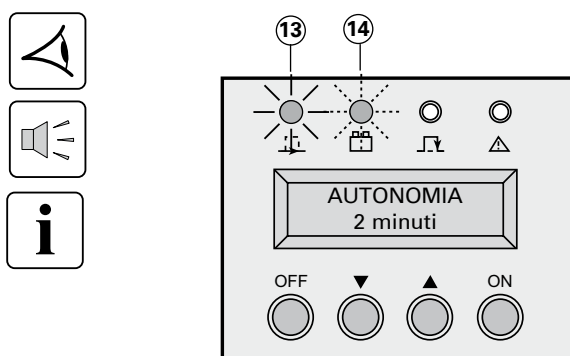
La spia **14** è accesa.

L'allarme acustico emette un bip ogni 10 secondi..

Le apparecchiature collegate sono alimentate grazie alla batteria.

Il display indica l'autonomia della batteria rimanente.

Soglia d'allarme di fine autonomia della batteria



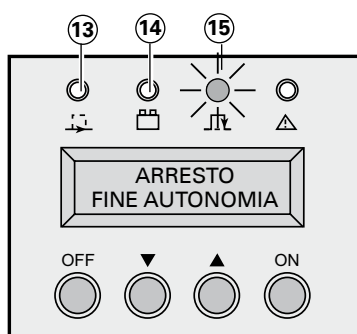
La spia **13** è accesa.

La spia **14** lampeggia.

L'allarme acustico emette un bip ogni 3 secondi.

Rimane soltanto un breve lasso di autonomia della batteria. Chiudere tutte le applicazioni poiché l'arresto automatico dell'UPS è imminente.

Fine autonomia della batteria



Le spie **13** e **14** sono spente.

L'allarme acustico è disattivato.

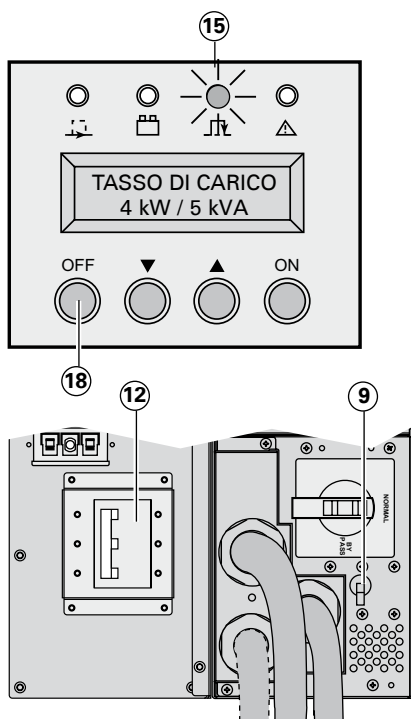
Le apparecchiature collegate sono trasferite sulla rete CA By-pass, qualora quest'ultima sia presente. In questo caso, la spia 15 è accesa.

3.5 Ripristino della rete CA Normale

In seguito all'interruzione, l'UPS si riavvia automaticamente al ripristino della rete CA Normale (eccetto nel caso in cui questa funzione sia stata disattivata tramite la personalizzazione dell'UPS).

3. Uso

3.6 Arresto dell'UPS



1 - Premere il tasto (18) per più di 3 secondi.



Le apparecchiature collegate non sono più protette dall'UPS. Sono alimentate dalla rete CA By-pass. Nel caso in cui l'UPS si trovi in modalità convertitore di frequenza, le apparecchiature collegate non sono più alimentate. Qualora la rete CA By-pass sia fuori tolleranza, è probabile che l'UPS generi un'interruzione impostata a 10 ms.

2 - Posizionare lo/gli interruttore/i (12) sulla posizione "0".

3 - Posizionare il disgiuntore della rete CA Normale (9) sulla posizione "0".

4 - Per un isolamento completo dell'UPS e delle apparecchiature collegate, l'interruttore a monte (non fornito) deve essere sulla posizione "0" o "OFF".

4.1 Risoluzione avarie



Nel caso in cui una delle spie ⑮ o ⑯ sia accesa, ciò significa che è presente un'anomalia di funzionamento o un allarme. Utilizzare il tasto funzione "scroll up" o "scroll down" per arrestare l'allarme acustico.

Risoluzione avarie senza intervento del Servizio Assistenza EATON

Indicazione	Significato	Rimedio
La spia ⑮ è accesa, il display alfanumerico indica: ERRATO CABLAGGIO RICOLLEGARE RETE	Errore di collegamento della rete CA Normale.	Correggere il collegamento della rete CA Normale.
La spia ⑮ è accesa, il display alfanumerico indica: TASSO DI CARICO Xx kW / XX KVA	Le apparecchiature collegate sono alimentate dalla rete CA By-pass.	Premere il tasto ON per più di 3 secondi.
La spia ⑮ è accesa *, il display alfanumerico indica: SOVRACC. TERMICO 1XX%	Sovraccarico in uscita dall'UPS.	Verificare la potenza consumata dalle apparecchiature collegate e scollegare tutte le apparecchiature non prioritarie.
La spia ⑯ è accesa, il display alfanumerico indica: SOVRACC. INST.	Cortocircuito sulle apparecchiature collegate.	Ricercare l'apparecchiatura in cortocircuito o in difetto.
L'allarme acustico è in funzione, il display alfanumerico indica: I/O BOX SCOLLEG.	La scatola degli Ingressi/uscita non è correttamente fissata.	Verificare il fissaggio della scatola degli ingressi/uscita (parte posteriore).

(*): se la rete CA By-pass è disponibile.

Risoluzione avarie con intervento del Servizio Assistenza EATON:

Indicazione	Significato	Rimedio
Le spie ⑮* e ⑯ sono accese e l'allarme acustico è in funzione. Il display alfanumerico indica: DIFETTO xx www.eaton.com	Difetto interno e trasferimento delle apparecchiature collegate sulla rete CA By-pass.	Seguire la procedura di sostituzione dell'UPS (cfr. § 4.3). Chiamare il Servizio Assistenza.
La spia ⑮ è accesa* e l'allarme acustico è in funzione. Il display alfanumerico indica: DIFETTO BATTERIE	Difetto batteria constatato nel corso del test sulla batteria.	Seguire la procedura di sostituzione dell'UPS (cfr. § 4.3). Chiamare il Servizio Assistenza.
La spia ⑮ è accesa, il display alfanumerico indica: DIFETTO CS SHUTDOWN	Difetto del contattore statico.	Seguire la procedura di sostituzione dell'UPS (cfr. § 4.3). Chiamare il Servizio Assistenza.
L'allarme acustico è in funzione ed il display alfanumerico indica: FINE VITA BATT. www.eaton.com	La batteria ha superato la sua durata di vita contrattuale. È probabile che l'autonomia della batteria si riduca notevolmente.	Contattare il servizio assistenza locale: www.eaton.com , rubrica "Contattare EATON" **.

(*): se la rete CA By-pass è disponibile.

(**): per annullare questo allarme in modo definitivo, premere i tasti funzione ⑰ e ⑱ per più di 3 secondi ed accedere al menu "Regolazioni LCM".

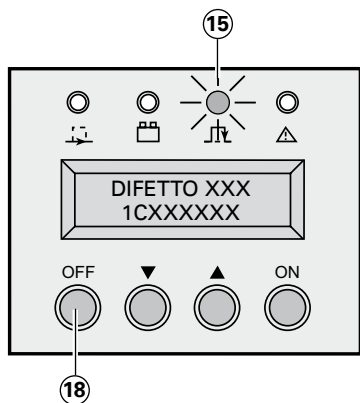
4. Manutenzione

4.2 Sostituzione del modulo di potenza



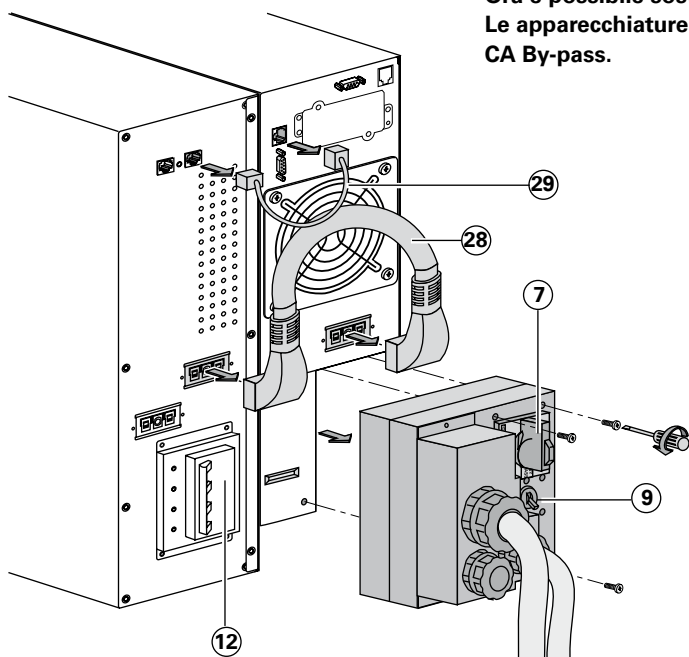
Questa operazione può essere effettuata senza interrompere l'alimentazione delle apparecchiature collegate.

Scollegamento del modulo di potenza



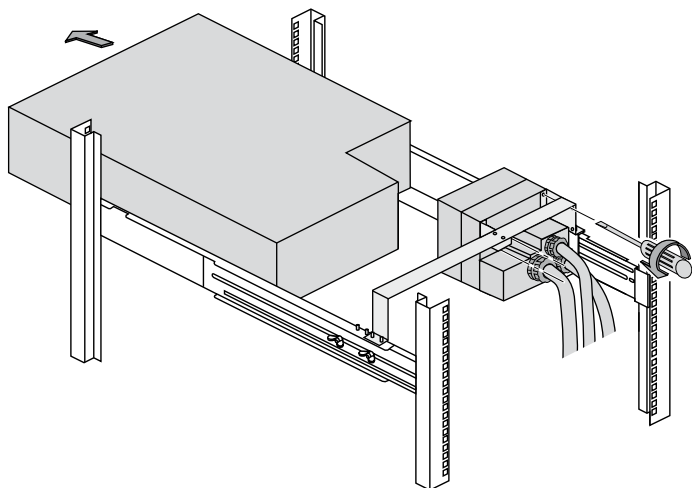
- Arrestare l'UPS per mezzo del tasto (18), tenendolo premuto per più di 3 secondi.
- Verificare che l'UPS funzioni in modalità By-pass: la spia (15) deve essere accesa (in caso contrario, non girare il commutatore manuale di By-pass e chiamare il Servizio Assistenza).
- Posizionare il commutatore manuale di By-pass (7) in posizione di BY-PASS.
- Posizionare lo/gli interruttore/i batteria (12) sulla posizione "0".
- Posizionare il disgiuntore rete CA Normale (9) sulla posizione "0" ed attendere 30 secondi.
- Svitare le 3 viti di fissaggio della scatola degli ingressi/uscita sulla parte posteriore dell'UPS.
- Scollegare i cavi batteria (28) et (29) dal modulo di potenza.

Posizione "tower"

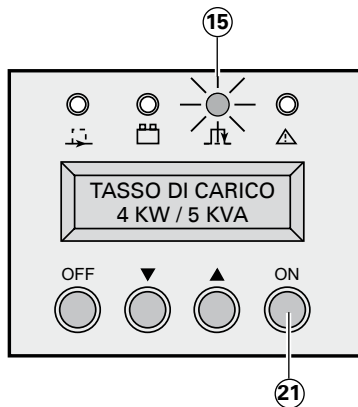


Ora è possibile sostituire il modulo di potenza.
Le apparecchiature collegate sono alimentate dalla rete CA By-pass.

Posizione "slot"



Ricollegamento del modulo di potenza

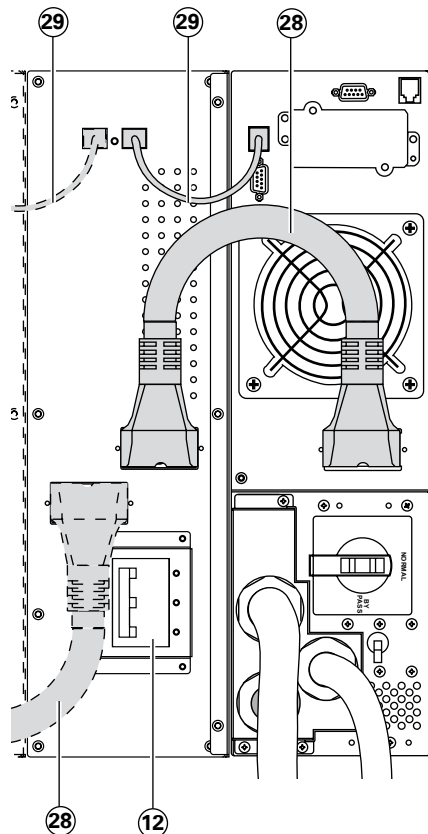


- Fissare la scatola degli ingressi/uscita sulla parte posteriore dell'UPS per mezzo delle 3 viti previste a tale scopo.
- Ricollegare i cavi batteria (28) e (29) al modulo di potenza.
- Posizionare lo/gli interruttore/i batteria (12) sulla posizione "I".
- Posizionare il disgiuntore rete CA Normale (9) sulla posizione "I".
- Girare il commutatore manuale di By-pass dalla posizione BY-PASS alla posizione NORMALE.
- Verificare che la spia (15) sia accesa.
- Seguire la sequenza di messa in funzione iniziale (cfr. § 3.1) per effettuare la personalizzazione dell'UPS.
- Premere il tasto ON (21) per più di 3 secondi.

La spia verde (13) è accesa e le apparecchiature collegate sono ora protette dall'UPS.

4.3 Sostituzione del modulo batteria

Scollegamento del modulo batteria



- Posizionare lo/gli interruttore/i batteria (12) sulla posizione "0".
- Scollegare i cavi batteria (28) e (29) dal modulo di potenza.

È ora possibile sostituire il modulo batteria. Le apparecchiature collegate continuano ad essere alimentate dall'UPS.

È altresì possibile sostituire i singoli elementi della batteria al posto dell'intero modulo batteria. Contattare il Servizio Assistenza locale.

Per sostituire gli elementi della batteria:

- Innanzitutto, posizionare lo/gli interruttori batteria (12) sulla posizione "0".
- Cfr. il § 2.3 e seguire le istruzioni di smontaggio degli elementi della batteria.

Ricollegamento del modulo batteria



- Ricollegare i cavi batteria (28) e (29) al modulo di potenza.
- Posizionare lo/gli interruttore/i batteria (12) sulla posizione "I".

Per ricollegare gli elementi della batteria:

Cfr. il § 2.3 e seguire le istruzioni inverse.

- Nel momento in cui la parte anteriore del modulo batteria è chiusa, collegare i cavi batteria (28) e (29) al modulo di potenza.
- Posizionare lo/gli interruttore/i batteria (12) sulla posizione "I".

4. Manutenzione

4.4 Centro di formazione



Per trarre il massimo vantaggio dalle prestazioni del vostro apparecchio EATON ed intervenire nella risoluzione delle avarie di primo livello, mettiamo a vostra disposizione un programma completo di addestramento tecnico nelle lingue inglese e francese:

For further information, please visit our website: www.eaton.com

5.1 Specifiche tecniche

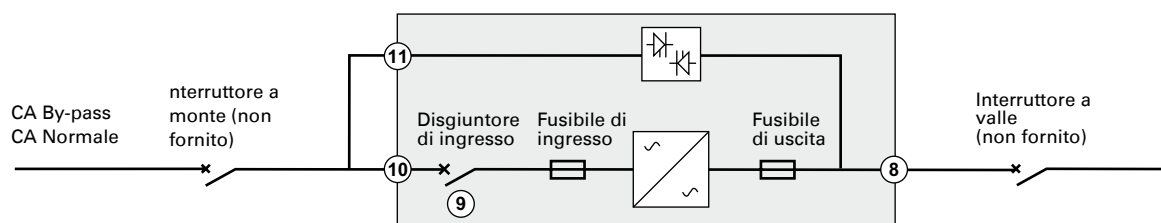
Caratteristiche elettriche

Modalità di funzionamento rete I/T e rete industriale

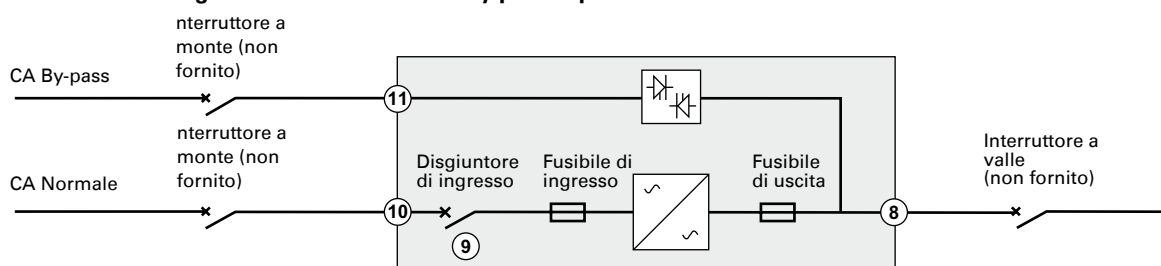
	Modalità industriale	Modalità rete I/T
Sovraccarico con rete CA By-pass in tolleranza.	Funzionamento identico alla modalità rete I/T, ma senza ritorno in modalità Normale nel caso in cui il sovraccarico scompaia.	Le apparecchiature collegate sono trasferite sulla rete CA By-pass. Ritorno in modalità Normale nel momento in cui il sovraccarico scompare.
Sovraccarico con rete CA By-pass fuori tolleranza.	Trasferimento delle apparecchiature collegate sulla rete CA By-pass con un'interruzione impostata a 10 ms; impossibilità di ritorno in modalità Normale nel caso in cui il sovraccarico scompaia.	Arresto dell'UPS e impossibilità di trasferimento sulla rete CA By-pass.
Cortocircuito in uscita con rete CA By-pass in tolleranza.	Trasferimento immediato delle apparecchiature collegate sulla rete CA By-pass; ritorno in modalità Normale nel caso in cui il cortocircuito sia eliminato tramite l'azione degli interruttori a valle (cfr. § 2.6).	Le apparecchiature collegate rimangono alimentate dall'UPS. Arresto definitivo dell'UPS al termine di un intervallo di 3 minuti, nel caso in cui il cortocircuito persista.
Cortocircuito in uscita con rete CA By-pass fuori tolleranza.	Trasferimento delle apparecchiature collegate sulla rete CA By-pass con un'interruzione impostata a 10 ms; impossibilità di ritorno in modalità Normale nel caso in cui il cortocircuito sia eliminato tramite l'azione degli interruttori a valle (cfr. § 2.6).	Le apparecchiature collegate rimangono alimentate dall'UPS. Arresto definitivo dell'UPS al termine di un intervallo di 3 minuti, nel caso in cui il cortocircuito persista.

Scelta degli organi di protezione

UPS con reti di ingresso CA Normale e CA By-pass comuni



UPS con reti di ingresso CA Normale e CA By-pass separate



Per il dimensionamento degli interruttori a monte, è necessario prendere in considerazione i parametri sotto riportati:

Valori delle correnti in linea

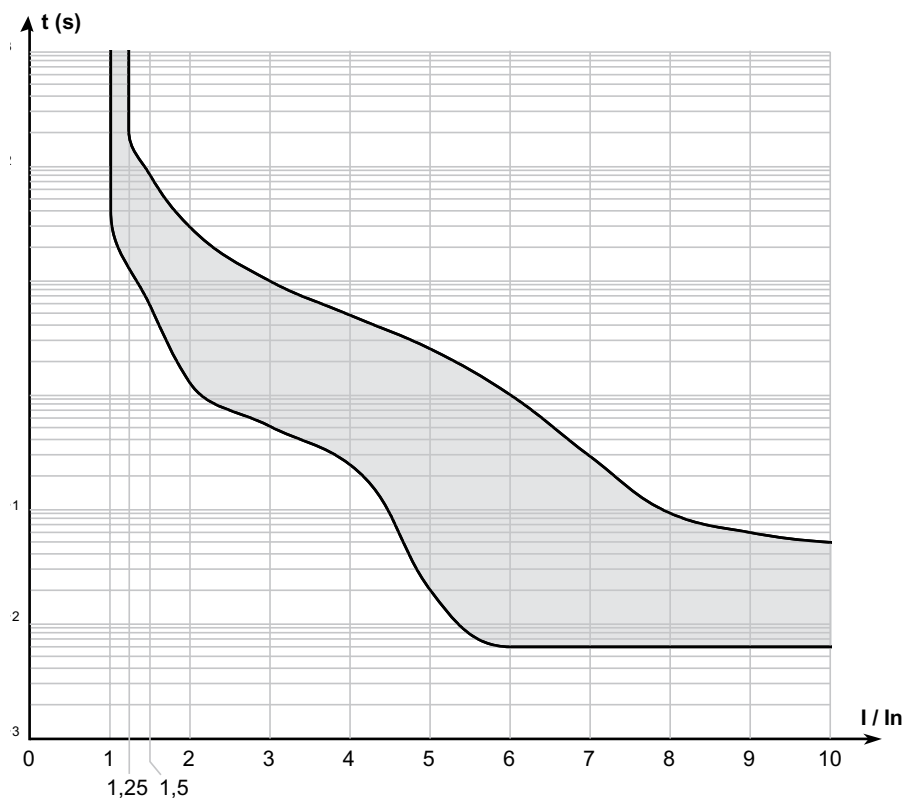
Potenza nominale dell'UPS	Corrente continua a 400/320 Volt e carica nominale	Corrente continua a 320 Volt e sovraccarico = 110% limitato a 2 minuti	Calibro dei fusibili di ingresso	Calibro dei fusibili di uscita
5 kVA	9/10 A	11 A	25 A	80 A
7 kVA	10/11 A	12 A	25 A	80 A
11 kVA	15/19 A	21 A	30 A	100 A

La selettività delle protezioni a monte/a valle indicata al paragrafo 2.6 è garantita per una lunghezza di cavo pari a 30 m al massimo e di sezione pari a 10 mm².

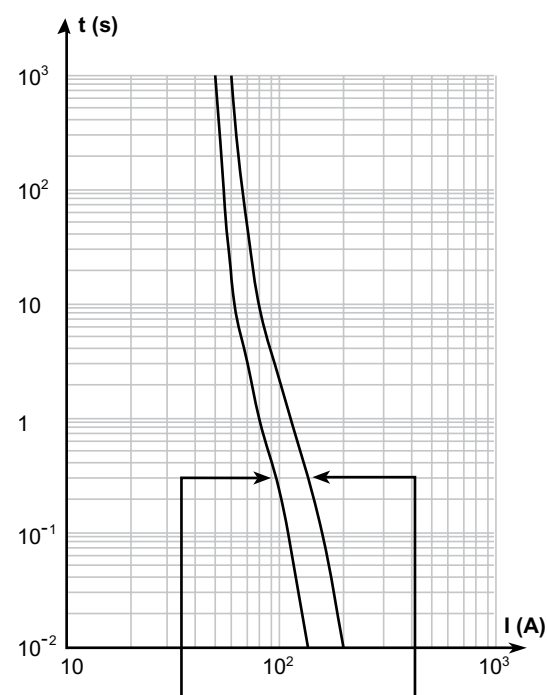
È necessario selezionare il potere di interruzione dell'interruttore in funzione dell'impianto, della lunghezza, nonché della sezione dei cavi.

5. Allegati

Curve Tempo/Corrente per il disgiuntore di ingresso dell'UPS

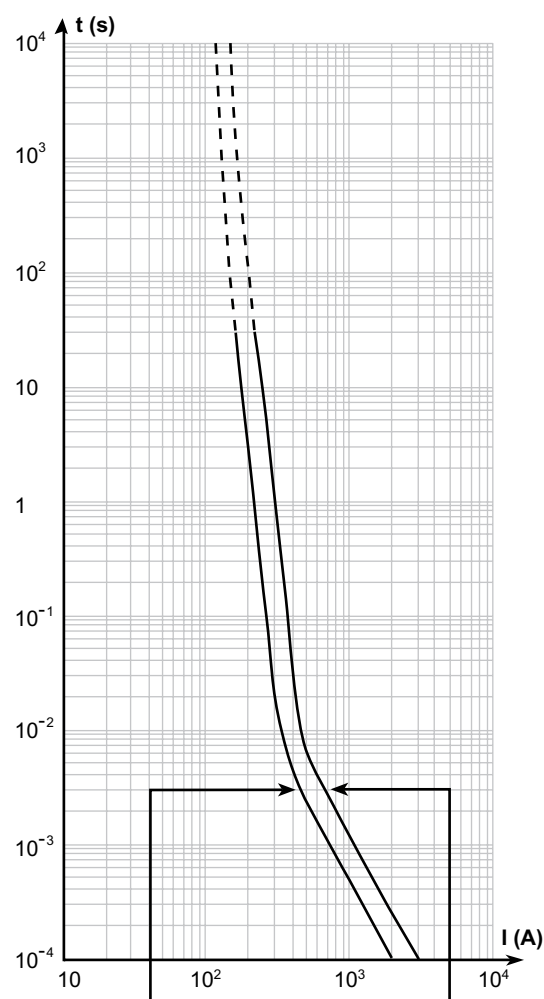


Curve Tempo/Corrente per i fusibili di ingresso ed uscita dell'UPS



Fusibili di ingresso di
EX RT 5: 25 A
EX RT 7: 25 A

Fusibili di ingresso di
EX RT 11: 30 A



Fusibili di uscita di
EX RT 5: 80 A
EX RT 7: 80 A

Fusibili di uscita di
EX RT 11: 100 A

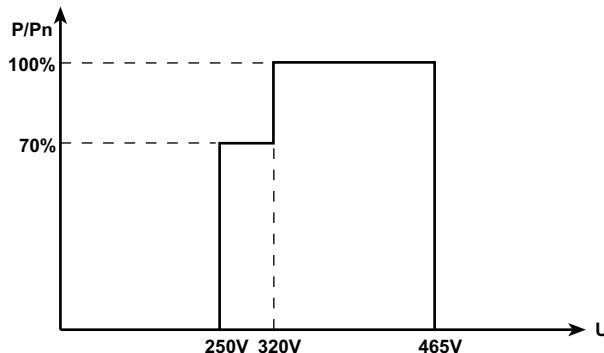
Caratteristiche di ingresso/uscita dell'UPS

Sorgente	Voltaggio	Frequenza
Rete CA Normale	Da 320 a 465 volt CA	Da 40 a 70 Hz
Rete CA By-pass	Da 187 a 264 volt CA*	48 a 52 Hz**
Uscita apparecchiature	230 volt CA (altri valori possibili: 200/208/220/240/250 V).	Selezione automatica 50/60 Hz (oppure convertitore di frequenza).

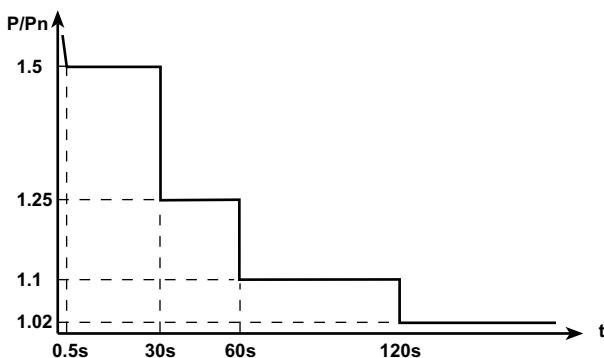
(*): dipende dal voltaggio di uscita personalizzato, modificabile tramite software.

(**): personalizzata a +/- 4% a livello predefinito (altri valori possibili: 1,2,4,8), modificabile tramite software.

Potenza fornita dall'UPS in funzione del voltaggio di ingresso



Sovraccarichi ammissibili dall'UPS in funzione del tempo



Corrente di cortocircuito fornita dall'UPS in modalità Normale o Batteria

- EX RT 5: 110 A per 80 ms.
- EX RT 7: 110 A per 80 ms.
- EX RT 11: 150 A per 80 ms.

Modulo trasformatore EX RT

Potenza nominale	11 kVA
Corrente nominale	63 A
Voltaggio di ingresso	160-280 Volts AC
Caduta di tensione	7 Volts a carica nominale
Frequenza	50/60 Hz (+/-10 %)
Isolamento (EN 61558-1-2-4)	3,75 kV / 5 M ohms
Temperatura di funzionamento	De 0° à +40 °C
Tasso di umidità max.	95 %
Declassamento di altitudine	Pn -10 % > 1000 m
Dimensioni HxLxP (tower)	444 x 131 x 635 mm
Dimensioni HxLxP (slot 3U)	131 x 444 x 635 mm
Peso	86,5 kg

5. Allegati

Modulo EX RT CLA

- Voltaggio di alimentazione: 160-280 Volt CA,
- Frequenza di alimentazione: 40-70 Hz,
- Corrente di ricarica: 6 A CC,
- Tempo di ricarica per ritrovare il 90% dell'autonomia nominale dopo una scarica a potenza nominale dell'UPS:

	Configurazione 2 ore di autonomia	Configurazione 4 ore di autonomia	Configurazione 8 ore di autonomia
EX RT 5	5 ore	12 ore	20 ore
EX RT 7	5 ore	12 ore	20 ore
EX RT 11	7 ore	15 ore	24 ore

Caratteristiche termiche

- Temperatura di funzionamento dell'UPS da 0 a 40°C (8 ore a 45°C), con un funzionamento ottimale tra +20 e +25°C.
- La durata dell'autonomia della batteria è condizionata dalle alte o dalle basse temperature. Si riduce in modo significativo al di sotto dei 10°C. Al di sopra dei 25°C, la durata di vita della batteria è ridotta della metà ogni 10°C. Al di sopra dei 40°C, il costruttore della batteria non garantisce più il corretto funzionamento, a causa del rischio d'instabilità termica.
- L'ingresso dell'aria avviene dal lato anteriore e l'uscita dal lato posteriore.

5.2 Glossario

Apparecchiatura:	Apparecchi o dispositivi collegati in uscita dall'UPS.
Autonomia:	Tempo durante il quale l'apparecchiatura è alimentata dalla batteria.
By-pass manuale:	Commutatore rotante, azionato dall'utilizzatore, che consente di alimentare direttamente l'apparecchiatura tramite la rete elettrica. Il passaggio in by-pass manuale consente di effettuare operazioni di manutenzione, senza interrompere l'alimentazione elettrica dell'apparecchiatura collegata.
Contatti dei relè:	Informazioni fornite sotto forma di contatti destinate all'utenza.
Modalità ECO:	Modalità di funzionamento che consente di alimentare direttamente l'apparecchiatura tramite la rete elettrica, nel caso in cui quest'ultima rientri nei limiti delle tolleranze definiti dall'utenza. Questa modalità consente di risparmiare energia.
Modalità normale o doppia conversione:	Modalità di funzionamento normale dell'UPS: la rete elettrica alimenta l'UPS che alimenta l'apparecchiatura (dopo una doppia conversione elettronica).
Rete CA BY-PASS:	Rete di alimentazione del canale By-pass che consente di alimentare l'apparecchiatura in occasione di un sovraccarico in uscita dall'UPS, di una operazione di manutenzione o di un guasto.
Rete CA NORMALE:	Rete di alimentazione normale dell'UPS.
UPS:	Gruppo Statico di Continuità

EX RT 5 3:1
EX RT 7 3:1
EX RT 11 3:1

**Manual de instalación y
de utilización**



EATON

Powering Business Worldwide

Introducción

Le agradecemos que haya seleccionado un producto EATON para la seguridad de sus equipos.

La gama **EX RT** ha sido fabricada con el más amplio cuidado. Para aprovechar al máximo las prestaciones de su SAI (Sistema de Alimentación Ininterrumpida), le recomendamos que lea cuidadosamente este manual.

Precaución: **EX RT** es un producto de clase A. En un entorno doméstico, puede causar interferencias de radio. En este caso, el usuario podrá tomar medidas complementarias. Si el aparato debe instalarse en entornos de sobretensión III o IV, prever una protección adicional contra las sobretensiones aguas arriba del aparato.

Le invitamos a que descubra la oferta de EATON, así como las opciones de la gama **EX RT** visitando nuestro sitio web: www.eaton.com o poniéndose en contacto con su representante EATON.

Respeto del medio ambiente

EATON está atento a los efectos que sus productos pudiesen causar en el medio ambiente. Para ello, respeta un procedimiento de diseño ecológico durante el ciclo de vida de **EX RT**: diseño, utilización y reciclado.

Utilización de este documento

La búsqueda de información se efectúa principalmente de dos maneras:

- por el sumario,
- por el índice.

Convenciones de los pictogramas



Respetar imperativamente estas consignas.



Información, consejos ayuda.



Señalización visual a observar.



Acción a realizar.



Señalización acústica.

Los convenios adoptados para representar los indicadores luminosos en las ilustraciones son los siguientes:



Indicador apagado.



Indicador encendido.



Indicador intermitente.

1. Presentación

1.1	Posiciones estándares	5
	Posición torre	5
	Posición rack	5
1.2	Caras traseras	6
	Módulo de potencia EX RT 5/7/11	6
	Módulo de batería EX RT EXB 7/11	6
1.3	Tablero de visualización y de mando	7
1.4	Opciones	7
	Kits de montaje en rack	7
	Transformador de aislamiento galvánico o de adaptación para esquemas de enlace a tierra	8
	Extensiones de batería para autonomías de la batería de 60 minutos máximo.	9
	Módulo CLA (Cargador de larga autonomía) para autonomías de 2 a 8 horas	9
	Sistema de ensamblaje de los módulos en carro	10
	Módulo de batería equipado con parada de emergencia (REPO)	10
	Cable para módulo de batería separado (1,8 m)	10

2. Instalación

2.1	Desembalaje y comprobación del contenido	11
	Módulo de potencia	11
	Módulo de batería	11
2.2	Instalación en posición torre	12
2.3	Instalación en posición rack	13
	Modificación de la orientación del logotipo y del tablero de mando	13
	Montaje en rack del módulo de batería (se necesitan carriles opcionales)	13
	Montaje en rack de los módulos batería y potencia (se necesitan carriles opcionales).....	14
2.4	Puertos de comunicación	16
	Conexión del puerto de comunicación RS232	16
	Características del puerto de comunicación por relé	16
	Paro de emergencia	17
	Conexión de la parada de emergencia.....	17
	Instalación de las tarjetas de comunicación (opcional, estándar en la versión Network pack)	17
2.5	Selección de la instalación según el Esquema de enlace a tierra (EET)	18
	SAI con redes de entrada AC Normal y AC Bypass comunes.....	18
	SAI con redes de entrada AC Normal y AC Bypass separadas	18
	SAI con redes de entrada AC Normal y AC Bypass separadas y procedentes de diferentes fuentes.....	19
	Convertidor de frecuencia (sin red de entrada AC Bypass)	19
	Redundancia de socorro.....	19
2.6	Organos de protección y secciones de cables recomendados	20
	Protección aguas arriba recomendada	20
	Protección aguas abajo recomendada	20
	Secciones de cables recomendadas	20
2.7	Conexión de los cables de potencia de entrada y salida	21
	Conexión de un SAI con redes de entrada AC Normal y AC Bypass comunes	21
	Conexión de un SAI con redes de entrada AC Normal y AC Bypass separadas ...	22
	Conexión del convertidor de frecuencia.....	23
	Conexión de los cables de la batería.....	24
	Conexión del transformador de aislamiento galvánico.....	24
	Conexión del módulo Cargador de Larga Autonomía (CLA)	25

Sumario

3. Utilización

3.1 Puesta en servicio inicial	26
Personalización del SAI	26
Personalización mediante el tablero de mando	26
Personalización mediante software exterior	27
3.2 Secuencia de inicio del SAI	27
3.3 Modos de funcionamiento	28
Modo normal (doble conversión)	28
Modo Eco	28
3.4 Funcionamiento con batería	29
Cambio a batería	29
Umbral de prealarma de fin de autonomía	29
Fin de autonomía de la batería	29
3.5 Retorno de la red AC Normal	29
3.6 Parada del SAI	30

4. Mantenimiento

4.1 Anomalías	31
4.2 Reemplazo del módulo de potencia	32
Desconexión del módulo de potencia	32
Conexión del módulo de potencia	33
4.3 Reemplazo del módulo de batería	33
Desconexión del módulo de batería	33
Conexión del módulo de batería	33
4.4 Centro de formación	34

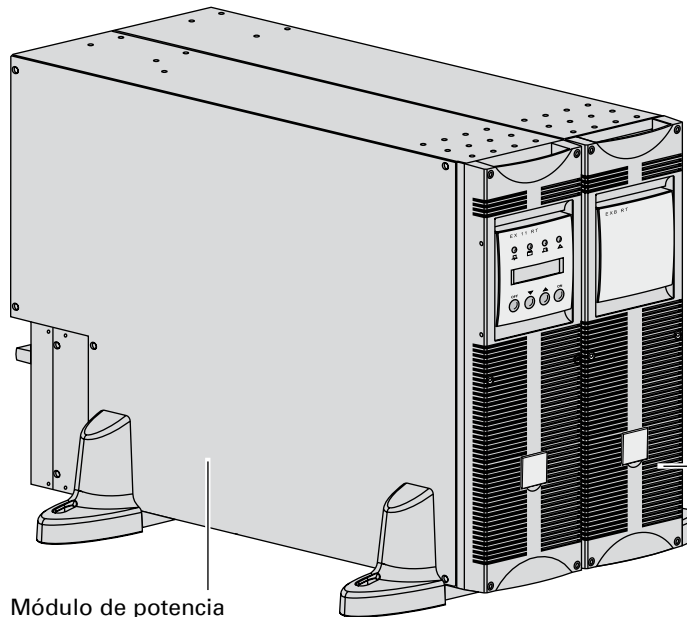
5. Anexos

5.1 Características técnicas	35
Características eléctricas	35
Características térmicas	38
5.2 Glosario	38

1. Presentación

1.1 Positions standards

Posición torre



Módulo de potencia
(EX RT 5/7/11)

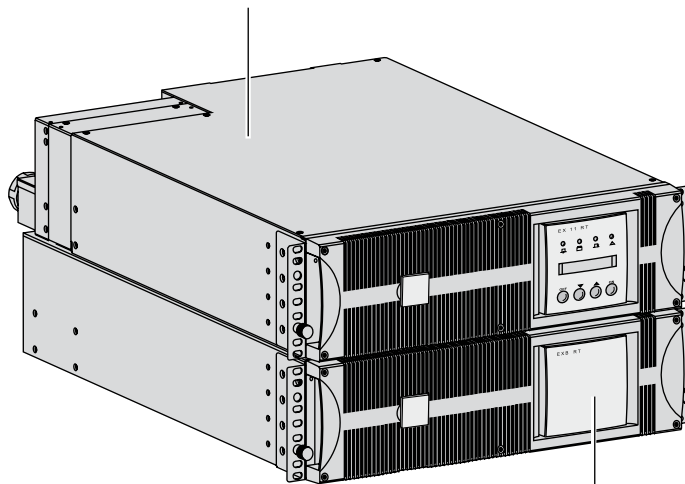
	Dimensiones en mm (altura x ancho x prof.)
EX RT 5 EX RT 7 EX RT 11 EX RT EXB 7 EX RT EXB 11	444 x 131 x 635

	Pesos en kg
EX RT 5 EX RT 7	22,5
EX RT 11	27,5
EX RT EXB 7	64,5
EX RT EXB 11	68,5

Módulo de batería
(EX RT EXB 7/11)

Posición rack

Módulo de potencia (EX RT 5/7/11)



	Dimensiones en mm (altura x ancho x prof.)
EX RT 5 EX RT 7 EX RT 11 EX RT EXB 7 EX RT EXB 11	131 (3U) x 444 x 635

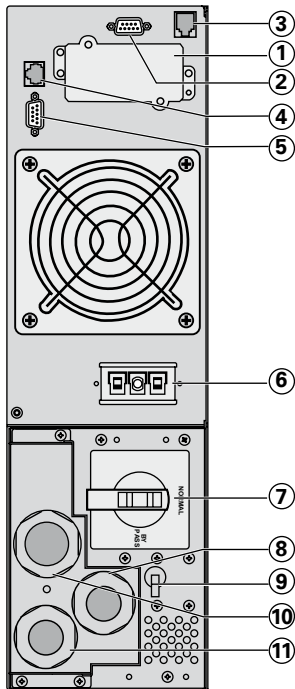
	Pesos en kg
EX RT 5 EX RT 7	22,5
EX RT 11	27,5
EX RT EXB 7	64,5
EX RT EXB 11	68,5

Módulo de batería
(EX RT EXB 7/11)

1. Presentación

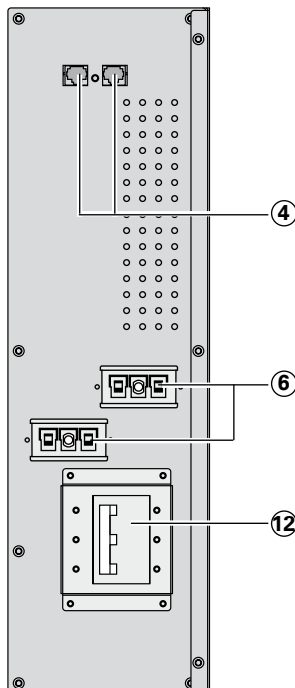
1.2 Caras traseras

Módulo de potencia EX RT 5/7/11



- ① Emplazamiento para tarjeta de comunicación.
- ② Puerto de comunicación por relé.
- ③ Puerto de parada de emergencia distante (REPO).
- ④ Conexión de la detección automática de los módulo(s) de batería.
- ⑤ Puerto de comunicación RS232.
- ⑥ Conexión de los cables de potencia entre los módulos de batería y el SAI.
- ⑦ Conmutador manual de Bypass.
- ⑧ Bornes de salida para las aplicaciones conectadas.
- ⑨ Interruptor automático de la red de entrada AC Normal.
- ⑩ Bornes de la red de entrada AC Normal.
- ⑪ Bornes de la red de entrada AC Bypass.

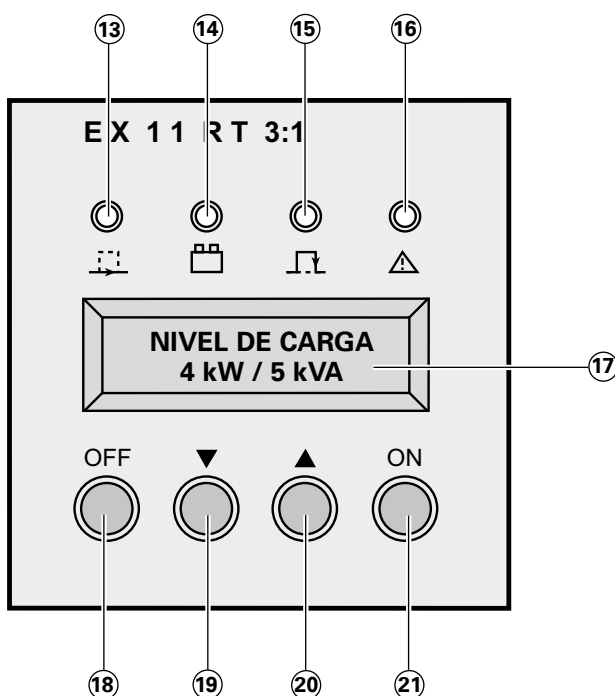
Módulo de batería EX RT EXB 7/11



- ④ Conexión de la detección automática de los módulo(s) de batería.
- ⑥ Conexión de los cables de potencia entre módulos batería y el SAI.
- ⑫ Interruptor automático de protección de la batería.

1. Presentación

1.3 Tablero de visualización y de mando

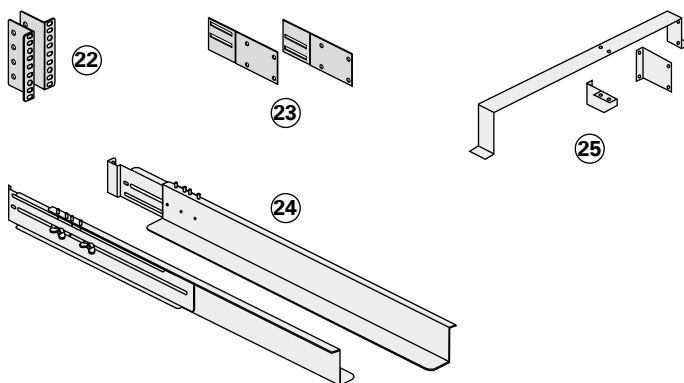


- ⑬ Indicador de aplicaciones protegidas.
- ⑭ Indicador de funcionamiento con batería.
- ⑮ Indicador de funcionamiento en Bypass.
- ⑯ Indicador de presencia de defecto.
- ⑰ Visualización alfanumérica.
- ⑱ Botón de parada del SAI.
- ⑲ ⑳ Botones de funciones (avance hacia abajo y hacia arriba).
- ㉑ Botón de puesta en funcionamiento del SAI (o tecla de función del visualizador en modo de personalización).

1.4 Opciones

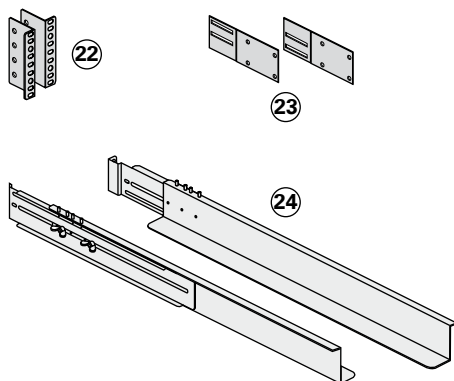
Kits de montaje en rack

Carriles telescópicos y accesorios para el montaje del módulo de potencia en rack de 19"
(Referencia 68001)



- ㉒ Escuadras de fijación frontales del módulo en los montantes laterales del bastidor.
- ㉓ Sistema de fijación trasera para el transporte en el bastidor.
- ㉔ Carriles telescópicos de 639 a 1005 mm de longitud que soportan el módulo.
- ㉕ Sistema de fijación de la caja de entradas/salida.

Carriles telescópicos y accesorios para el montaje del módulo de batería en rack de 19"
(Referencia 68002)

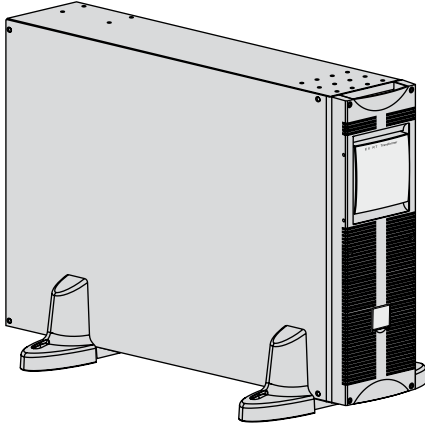


- ㉒ Escuadras de fijación frontales del módulo en los montantes laterales del bastidor.
- ㉓ Sistema de fijación trasera para el transporte en el bastidor.
- ㉔ Carriles telescópicos de 639 a 1005 mm de longitud que soportan el módulo.

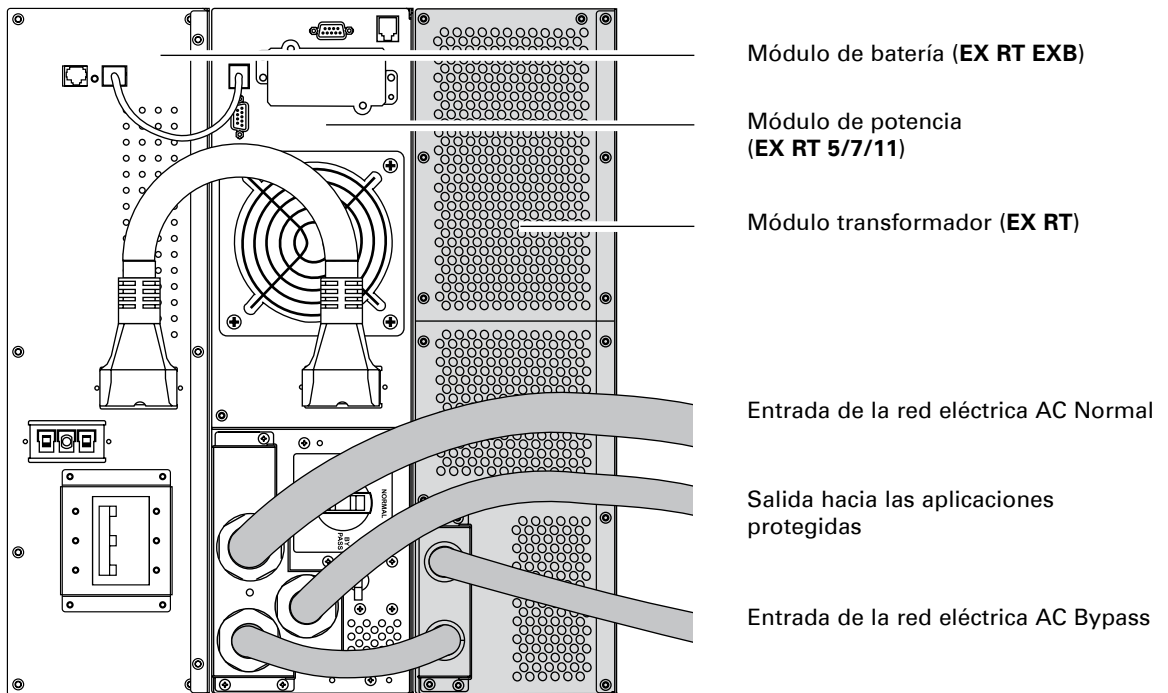
1. Presentación

Transformador de aislamiento galvánico o de adaptación para esquemas de enlace a tierra (Referencia 68003)

Este módulo se utiliza para obtener un régimen de neutro aguas abajo del SAI diferente del régimen de neutro aguas arriba o bien, para incrementar la disponibilidad de la alimentación eléctrica con una red separada.



Ejemplo de un transformador EX RT situado aguas arriba de EX RT para aislamiento galvánico



1. Presentación

Extensiones de batería para autonomías de la batería de 60 minutos máximo (de potencia máxima)

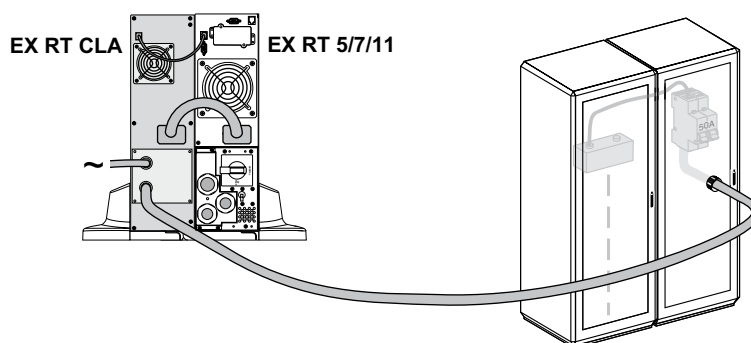
EX RT ofrece una autonomía estándar de 5/9 minutos de potencia nominal. Para incrementar la autonomía, se pueden conectar módulos EX RT EXB 7/11 adicionales.

Extensiones de batería para EX RT 5, EX RT 7 o EX RT 11

	EX RT 5/7 + EX RT EXB 7 RT EX RT 11 + EX RTEXTB 11	+	EX RT EXB 7 EX RT EXB 11	+	EX RT EXB 7 EX RT EXB 11	+	EX RT EXB 7 EX RT EXB 11	+	EX RT EXB 7 EX RT EXB 11	+	EX RT EXB 7 EX RT EXB 11
5 kVA:	9 min		26 min		42 min		60 min		72 min		87 min
7 kVA:	7 min		20 min		32 min		45 min		57 min		70 min
11 kVA:	5 min		14 min		22 min		30 min		42 min		53 min

Módulo CLA (Cargador de Larga Autonomía) para autonomías de 2 a 8 horas (Ref. 68004)

Las baterías de muy larga autonomía, de 2 a 8 horas de potencia nominal, necesitan un módulo EX RT CLA.



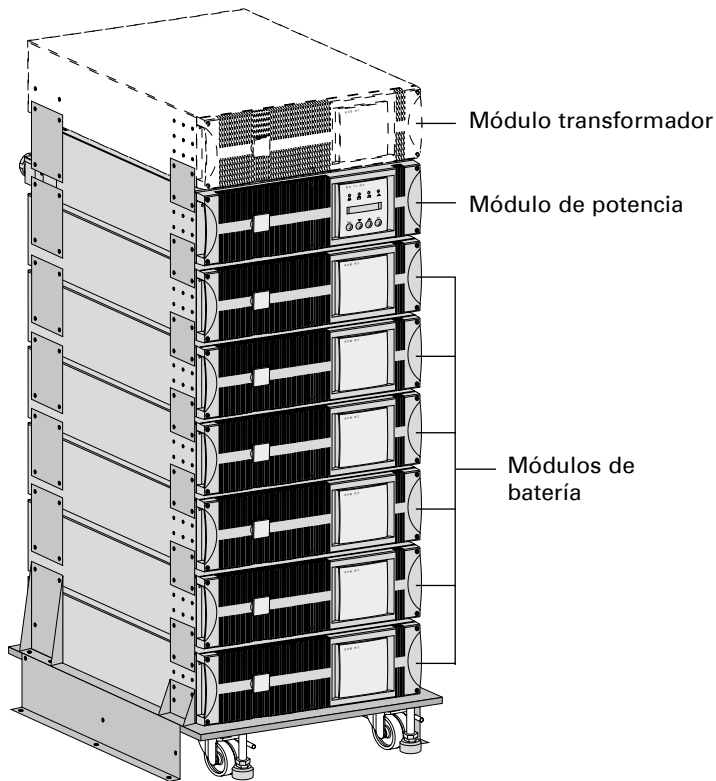
Autonomía de la batería	Baterías recomendadas para:		
	EX RT 5	EX RT 7	EX RT 11
2 horas	50 Ah	65 Ah	100 Ah
4 horas	100 Ah	130 Ah	200 Ah
8 horas	200 Ah	260 Ah	400 Ah

Tensión total de la batería: 240 V CC (20 x 12 VCC).

La capacidad de la batería deberá personalizarse en el SAI (se puede efectuar el ajuste por paso de 5 Ah: ver párrafo "Personalización del SAI").

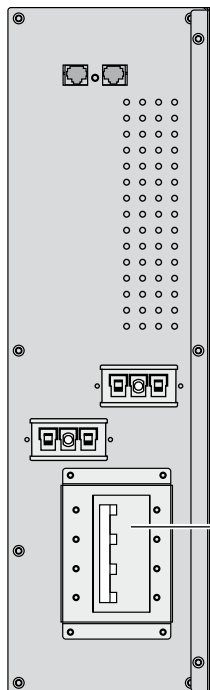
1. Presentación

Sistema de ensamblaje de los módulos de batería en carro (Referencia 68005)



Este sistema permite ensamblar, en el caso de un SAI de batería de muy larga autonomía, hasta 8 módulos apilados sobre un mismo carro (ruedecillas con rótulas y frenos, pies de nivelación, placas laterales antisísmicas, placas de ensamblaje intermódulos y tornillos incluidos).

Módulo de batería equipado con parada de emergencia (REPO)



Referencia:
EX RT EXB 7 EPO: 68079
EX RT EXB 11 EPO: 68119

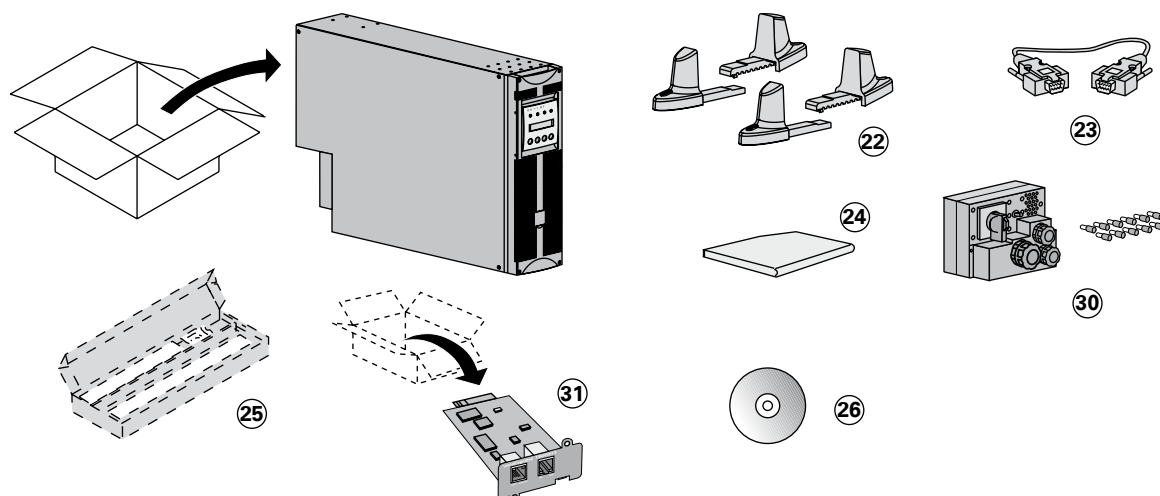
12 Interruptor automático de batería con unidad de disparo de parada de emergencia distante

Cable para módulo de batería separado (1,8 m, referencia 68006)

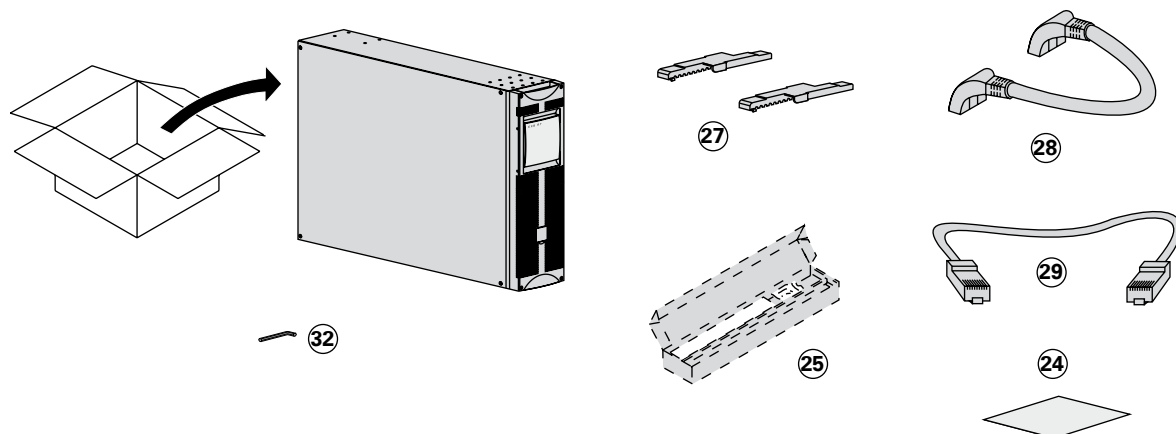
Se utilizará este cable de longitud superior en lugar del cable de batería cuando los módulos de batería están separados unos de otros (por ejemplo, situados en dos bastidores diferentes).

2.1 Desembalaje y comprobación del contenido

Módulo de potencia



Módulo de batería



- ②② Pies de fijación.
- ②③ Cable de comunicación RS232.
- ②④ Manuales de instalación y de utilización.
- ②⑤ Carriles telescópicos para montaje en rack en un bastidor de 19" (opcional, o estándar en la versión **Network Pack**).
- ②⑥ CD-ROM **Solution-Pac**.
- ②⑦ Piezas adicionales para pies de fijación.
- ②⑧ Cable de la batería.
- ②⑨ Cable de detección de batería.
- ③⑩ Caja amovible de entrada/salida con 11 cabezas de cableado.
- ③① Tarjeta de red (opcional, o estándar en la versión **Network Pack**).
- ③② Llave BTR.



Los embalajes deben eliminarse conforme a las reglamentaciones en vigor relativas a los desechos. Tienen inscritos símbolos de reciclado que facilitan su clasificación.



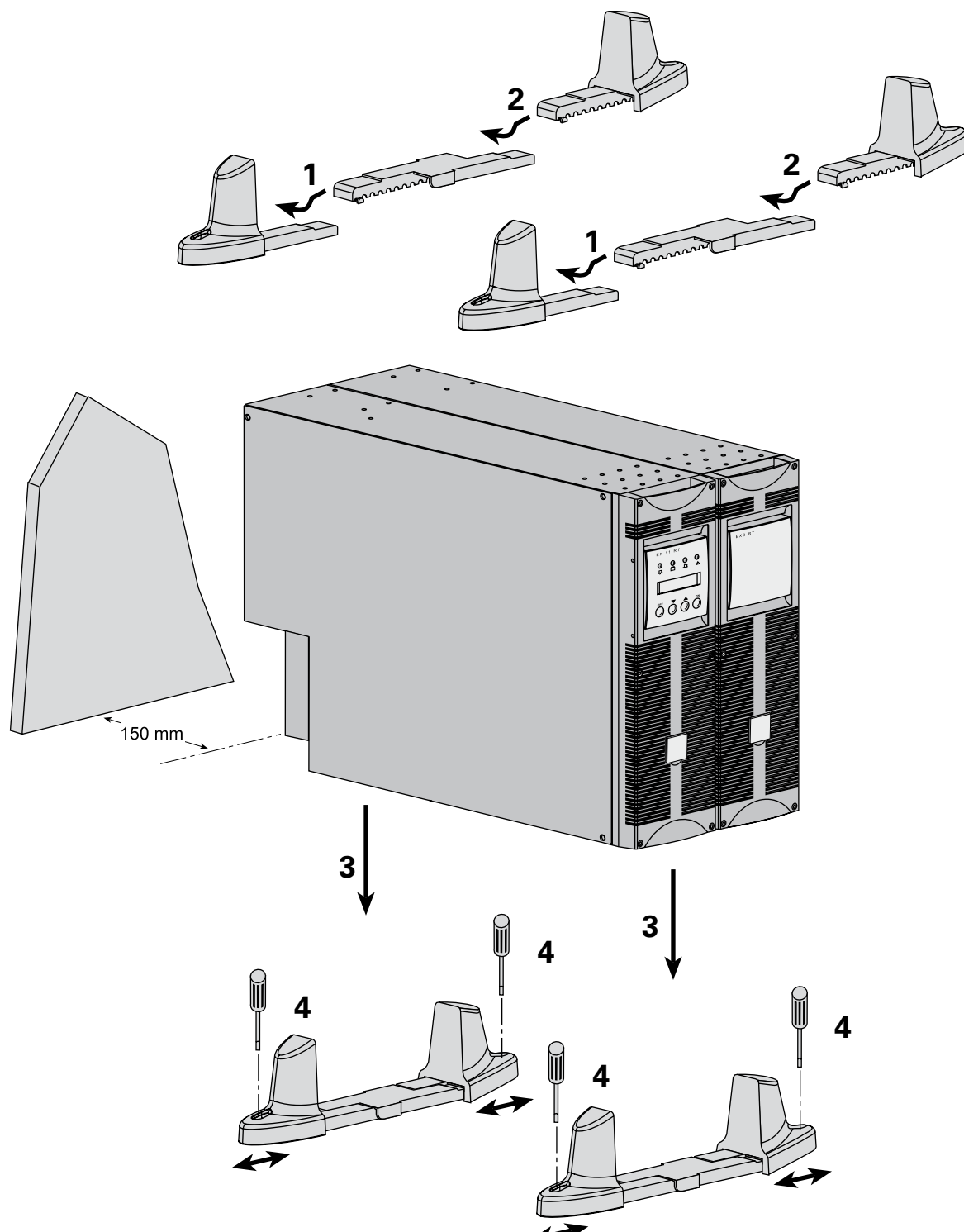
Presencia de tensión peligrosa al interior del módulo de potencia y del módulo de batería. Cualquier intervención en estos módulos deberá ser efectuada por personal cualificado.

2. Instalación

2.2 Instalación en posición torre



Utilizar la plantilla de montaje de los pies de fijación que se entrega con el módulo de batería.



Seguir las etapas 1 a 4 para ajustar los pies de fijación en posición vertical.

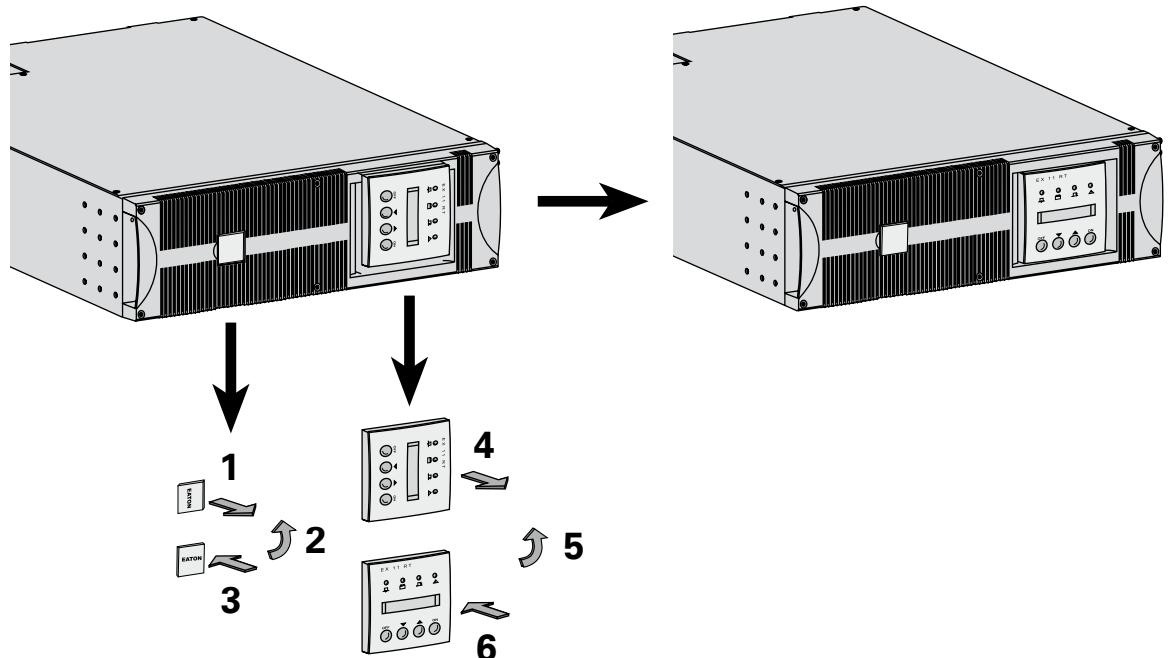


Procurar siempre que haya un espacio libre de 150 mm detrás del SAI.
La separación entre ambos pares de soportes de mantenimiento tiene que ser de 450 mm.

2.3 Instalación en posición rack

Se recomienda instalar en primer lugar el módulo de batería y luego instalar encima el módulo de potencia.

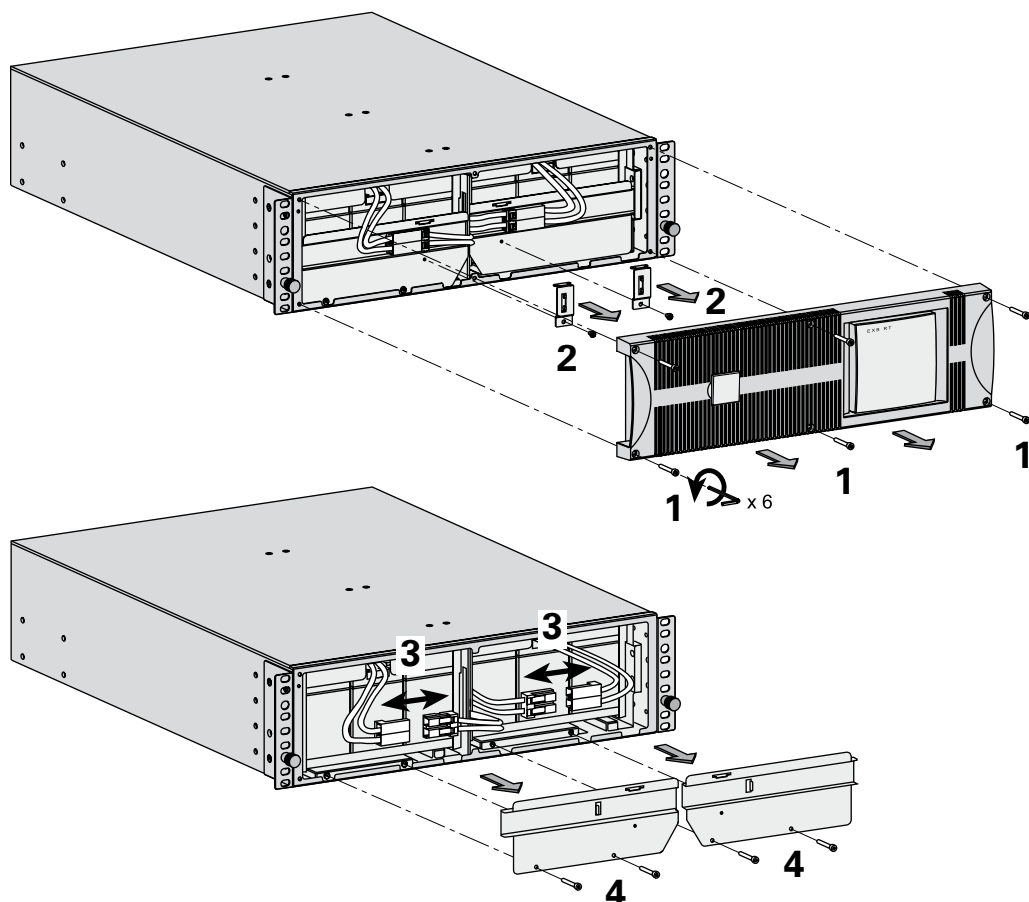
Modificación de la orientación del logotipo y del tablero de mando



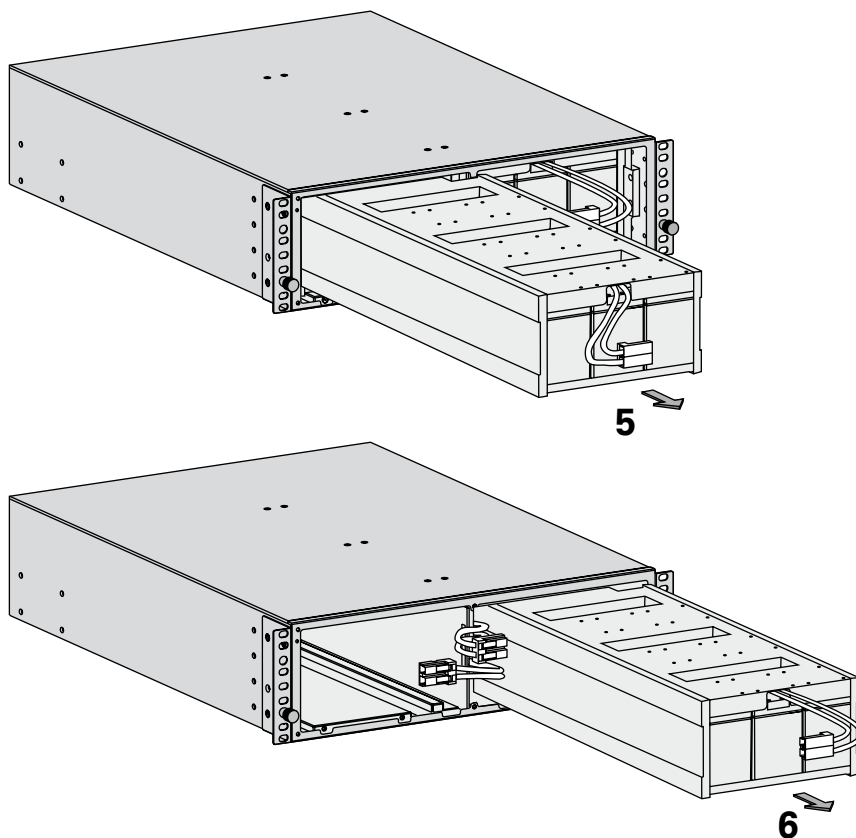
Montaje en rack del módulo batería (se necesitan carriles opcionales, referencia 68006)



El módulo de batería es muy pesado. Para facilitar su manipulación durante su instalación, se recomienda sacar los elementos de batería del módulo como se muestra abajo:



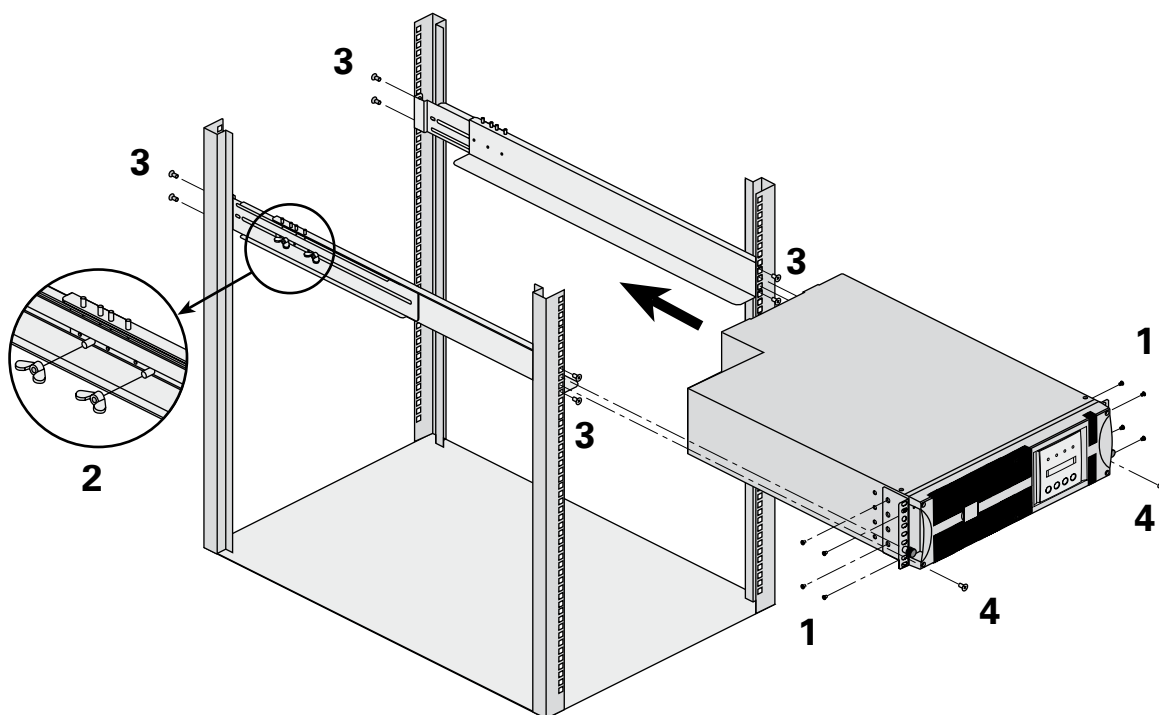
2. Instalación



Montaje en rack de los módulo batería o potencia (se necesitan carriles opcionales, referencia 68001)



Seguir las etapas 1 a 4 para el montaje del módulo sobre sus carriles.



EATON provee los carriles y los elementos de montaje.

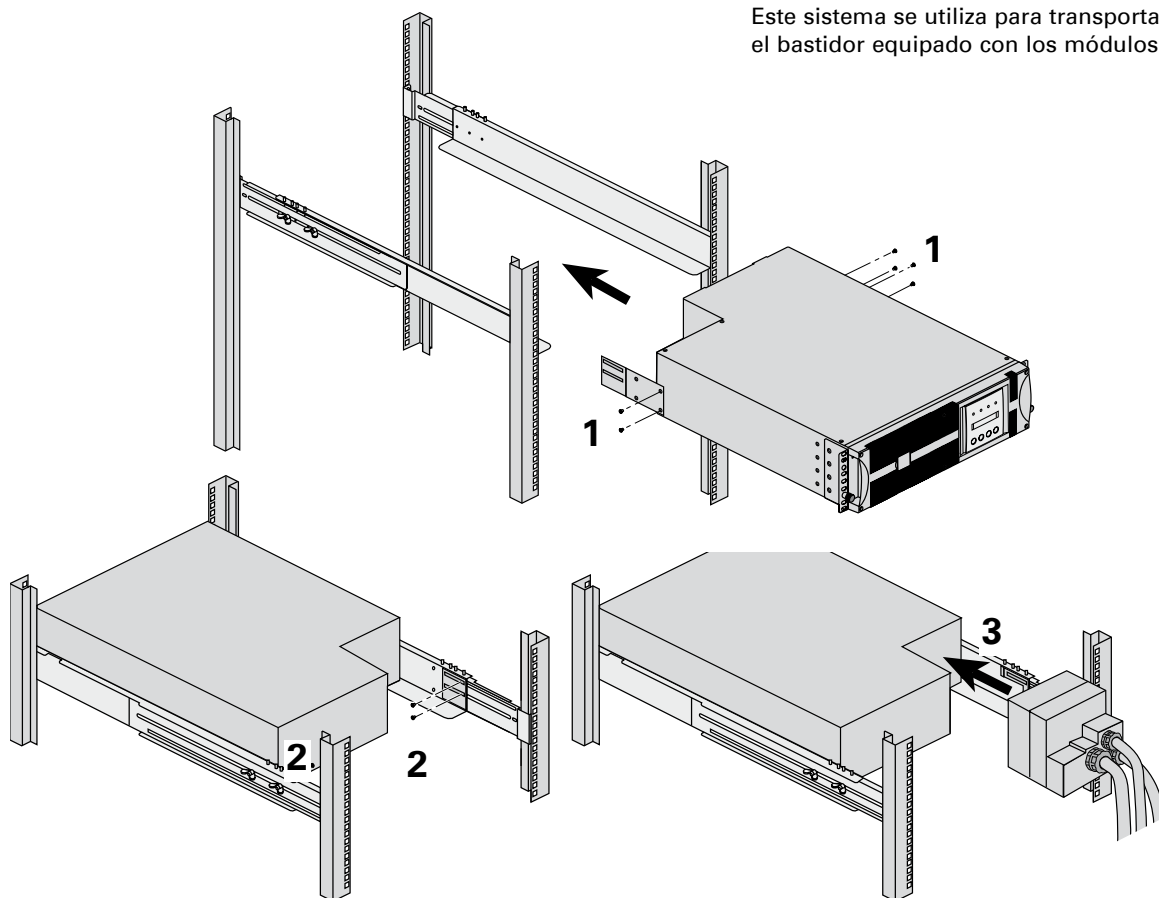
Nota para la etapa 1: se puede ajustar la posición de las escuadras frontales de fijación.

2. Instalación

Sistema de fijación trasera (incluido con el kit carriles, referencias 68001 y 68002)



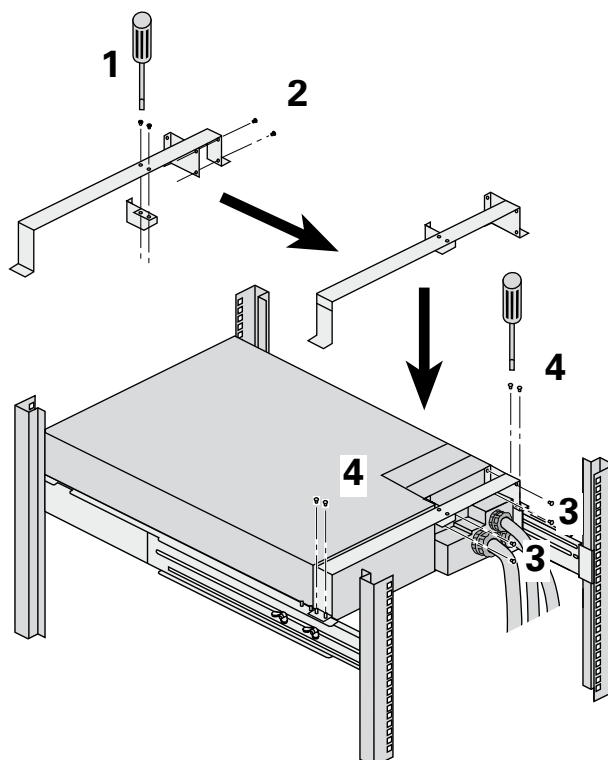
Este sistema se utiliza para transportar el bastidor equipado con los módulos.



Sistema de fijación de la caja de entradas/salida amovible (incluido con el kit carriles del módulo de potencia, referencia 68001)



Este sistema de fijación permite mantener la caja de entradas/salida del módulo atrás del rack cuando se extrae el módulo sin interrumpir la alimentación de las aplicaciones conectadas. De este modo, se facilitará la conexión del módulo de reemplazo en los conectores de la caja de entradas/salida.



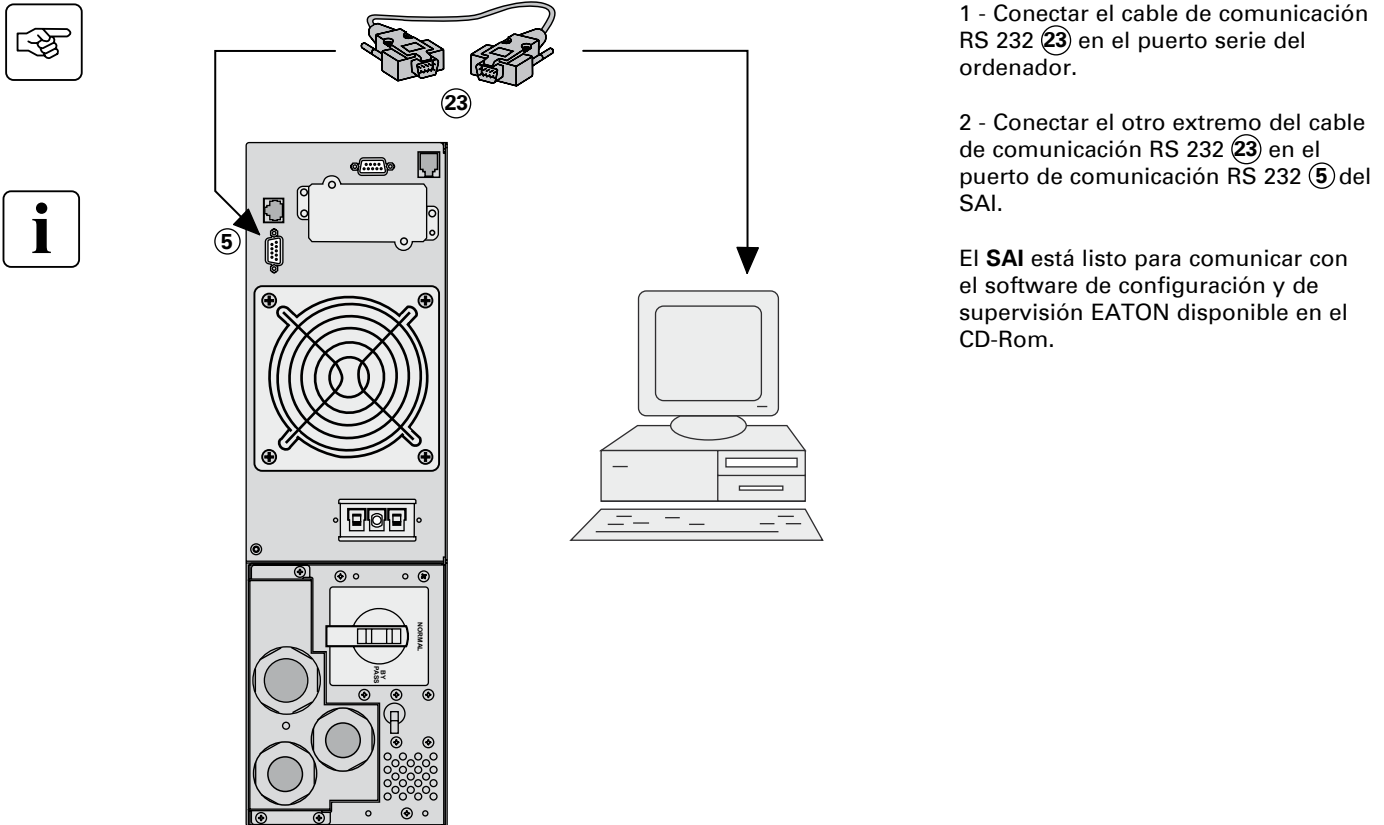
2. Instalación

2.4 Puertos de comunicación

EX RT ofrece tres modos de comunicación que pueden utilizarse simultáneamente:

- El puerto COM (5) brinda un enlace RS232 que utiliza el protocolo SHUT de EATON compatible con los softwares de supervisión y de protección incluidos en el CD-Rom **Solution Pac**.
- El puerto de comunicación por relé (2) se utiliza para señalizaciones básicas o para la protección de sistemas IT como IBM iSeries (principalmente AS400) u otras.
- El emplazamiento (1) para tarjetas de comunicación puede recibir todo tipo de tarjetas EATON (ver el sitio Web www.eaton.com para conocer la lista completa de las tarjetas compatibles).

Conexión del puerto de comunicación RS232

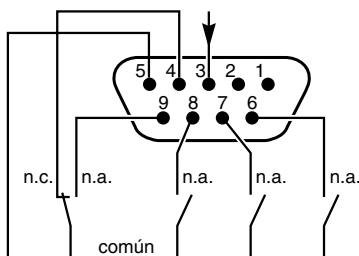


1 - Conectar el cable de comunicación RS 232 (23) en el puerto serie del ordenador.

2 - Conectar el otro extremo del cable de comunicación RS 232 (23) en el puerto de comunicación RS 232 (5) del SAI.

El SAI está listo para comunicar con el software de configuración y de supervisión EATON disponible en el CD-Rom.

Características del puerto de comunicación por relé (2)



- Clavija 1,2: no se utiliza,
 - Clavija 3: orden de parada a distancia (5 a 27 VCC, 10 mA máximo)
 - Clavija 4: funcionamiento con red (no con batería)
 - Clavija 5: común usuario,
 - Clavija 6: funcionamiento con Bypass automático,
 - Clavija 7: prealarma de fin de autonomía de la batería,
 - Clavija 8: aplicaciones de usuario protegidas,
 - Clavija 9: funcionamiento con batería,
- n.a.: contacto normalmente abierto
n.f.: contacto normalmente cerrado.

Cuando una información está activa, el contacto se mantiene cerrado entre la clavija común 5 y la clavija de la información correspondiente.

Características de los relés de salida

- Tensión: 48 VCC máximo,
- Corriente: 2A máximo,
- Potencia: 62,5 VA/30 W.

Ejemplo: para una tensión de 48 V CC, la corriente máxima es de 625 mA.

Paro de emergencia

La instalación de un paro de emergencia debe realizarse de acuerdo con las normas vigentes.

A fin de obtener una puesta fuera de tensión total de la instalación y de **EX RT** mediante la acción de un paro de emergencia, es necesario:

- utilizar un botón de enganche (el contacto NA o NC debe ser mantenido más de un segundo para que se tenga en cuenta),
- utilizar el o los módulos batería **EX RT EXB EPO**.
- conectar al botón de enganche un dispositivo único que permita la apertura del o de los disyuntores colocados aguas **arriba**⁽¹⁾ AC NORMAL y AC BY PASS así como aguas **abajo**⁽²⁾ de **EX RT** añadiendo disparadores de emisión de tipo MX.

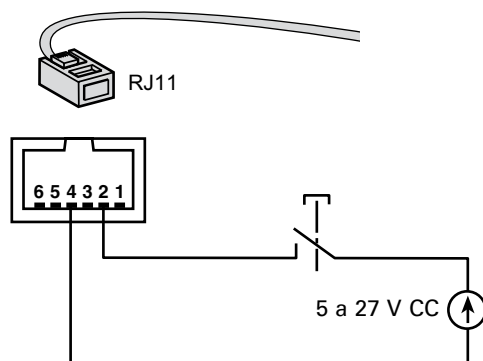
(1) Si no la tensión reaparece por el AC BY PASS si el contacto de paro de emergencia se suelta.

(2) Si no la tensión continua presente en salida algunos segundos después del disparo del paro de emergencia.

Conexión de la parada de emergencia ③

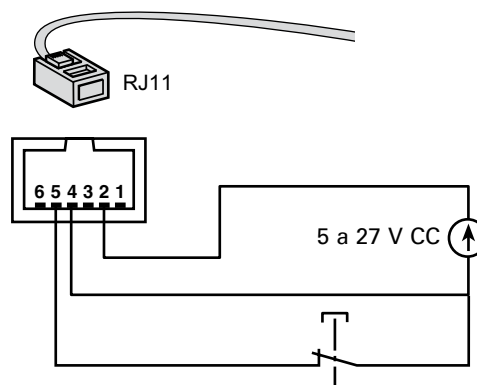
Utilizado conjuntamente con el módulo de batería EPO, este puerto permite el total aislamiento de todas las fuentes conectadas en el **SAI** en el momento de una parada de emergencia (no se entrega con cable de conexión).

Contacto de parada de emergencia normalmente abierto

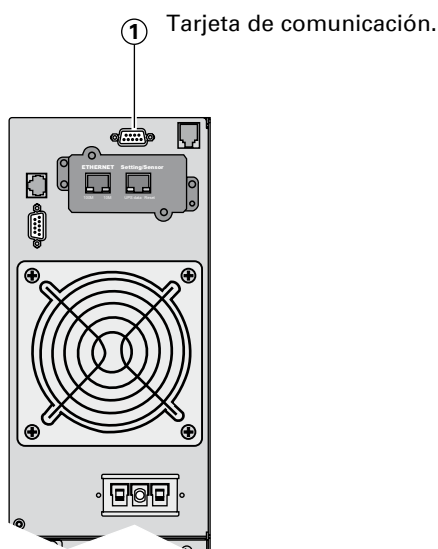


- Señal a suministrar:
 - Tensión de alimentación: 5 a 27 V CC.
 - Corriente: 10 mA máximo.

Contacto de parada de emergencia normalmente cerrado



Instalación de las tarjetas de comunicación (opcional, estándar en la versión **Network Pack**)



No se requiere interrumpir el SAI para instalar la tarjeta de comunicación:

- 1 - Retirar la tapa fijada por dos tornillos.
- 2 - Insertar la tarjeta de comunicación ① en su emplazamiento.
- 3 - Fijar la tarjeta en la cara trasera del SAI con los dos tornillos.

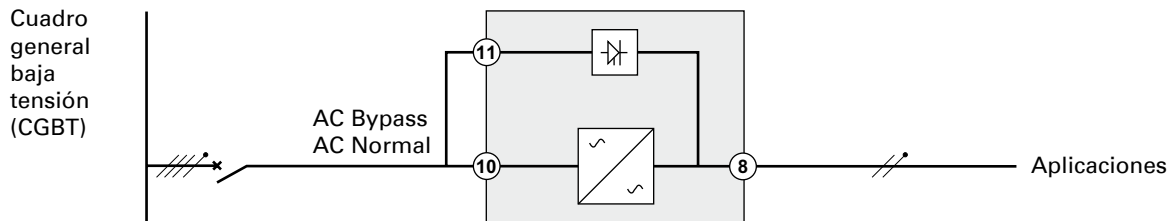
2. Instalación

2.5 Selección de la instalación según el Esquema de enlace a tierra (EET)

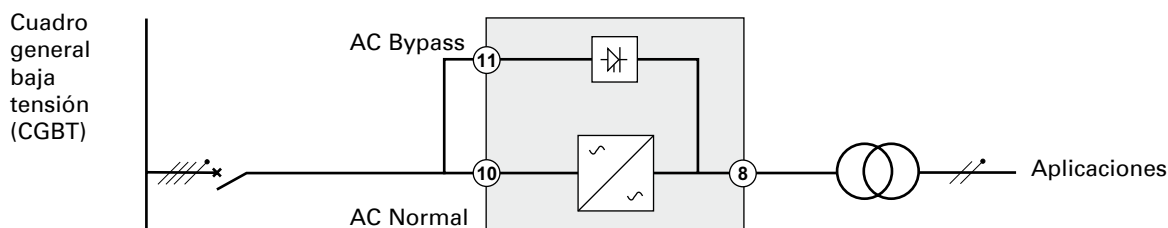


El EX RT debe ser alimentado por una red eléctrica trifásica con neutro.

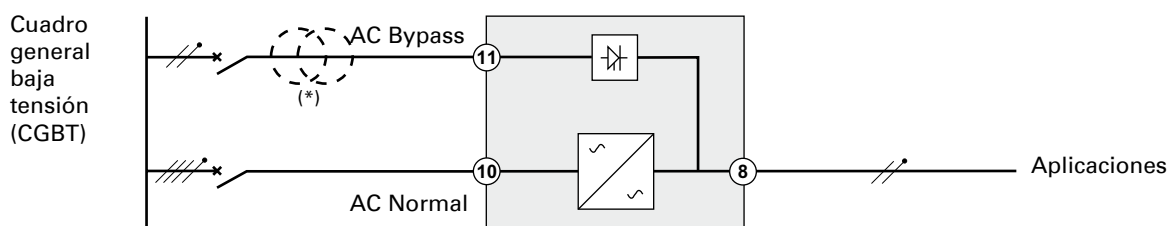
SAI con redes de entrada AC Normal y AC Bypass comunes



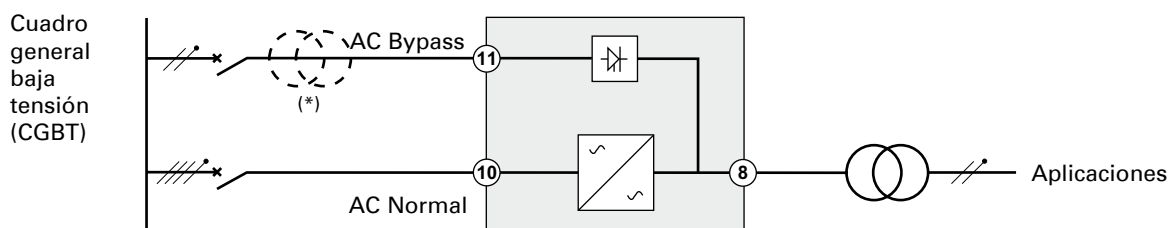
Cambio de EET entre aguas arriba y aguas abajo o aislamiento galvanizado requerido



SAI con redes de entrada AC Normal y AC Bypass separadas



Cambio de EET entre aguas arriba y aguas abajo o aislamiento galvánico requerido

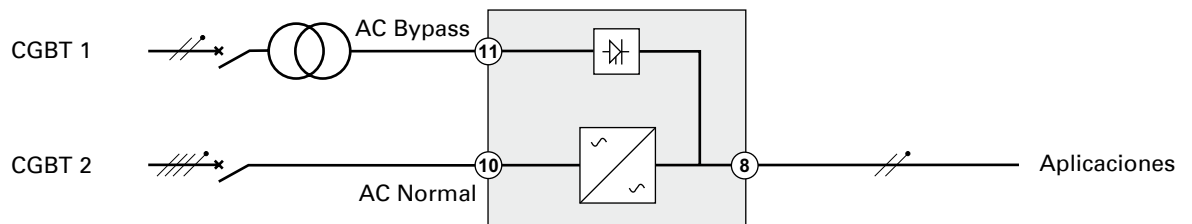
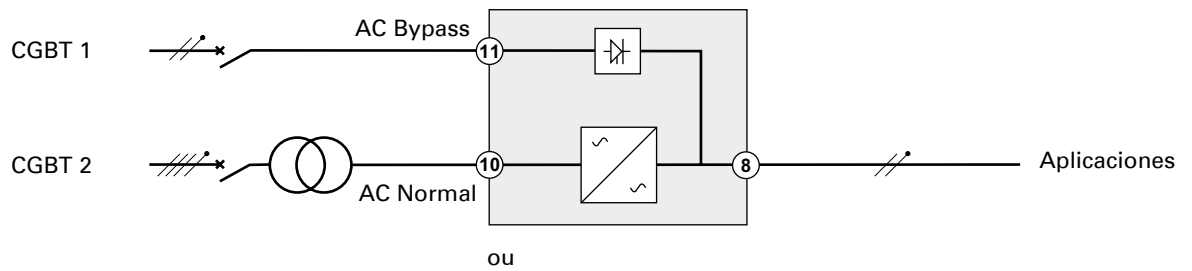


(*): No se necesita el transformador:

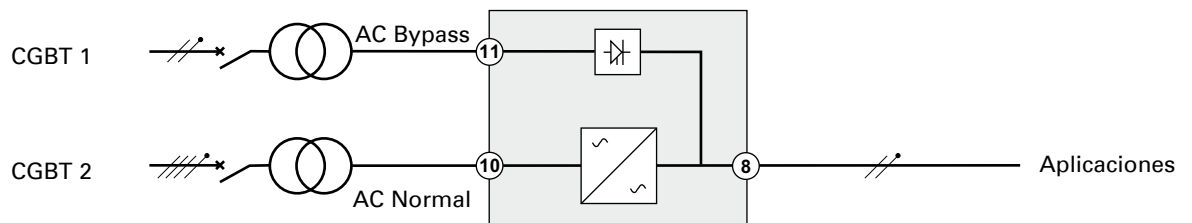
- si las redes de entrada AC Normal y AC Bypass provienen de la misma fuente,
- y si la sección y la longitud de los cables de las redes de entrada AC Normal y AC Bypass son idénticas,
- y si las redes de entrada AC Normal y AC Bypass están protegidas por un solo interruptor diferencial.

2. Instalación

SAI con redes de entrada AC Normal y AC Bypass separadas y procedentes de diferentes fuentes

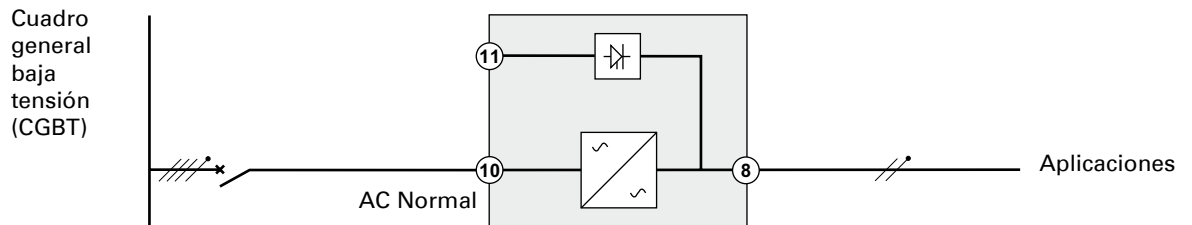


Cambio de EET entre aguas arriba y aguas abajo o aislamiento galvánico requerido



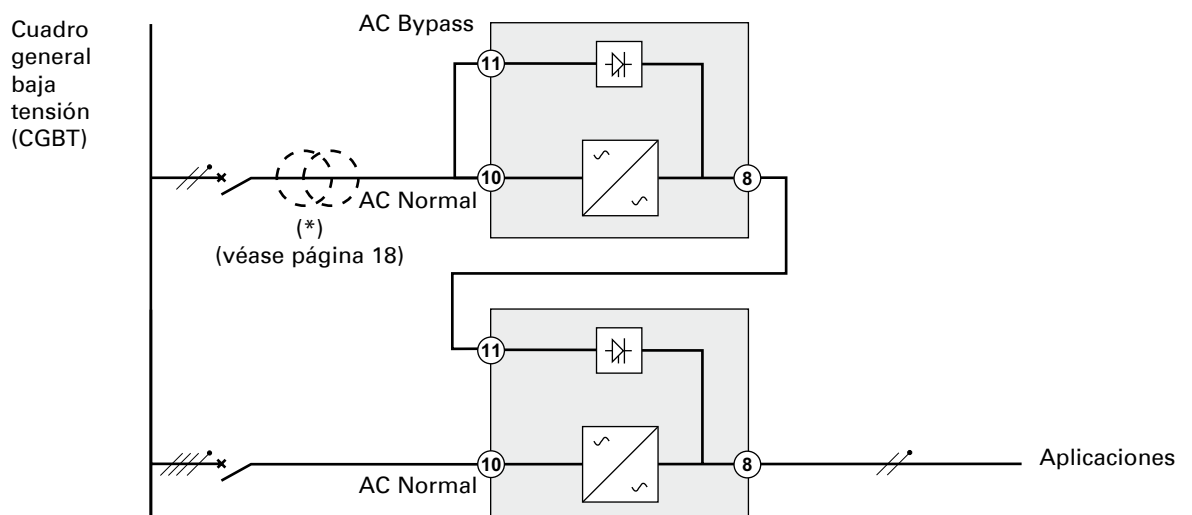
Convertidor de frecuencia (sin red de entrada AC Bypass)

Configuración que se utiliza cuando la frecuencia de la aplicación es diferente a la de la red (Ejemplo: SAI para la marina).



Redundancia de socorro

Configuración que se utiliza para asegurar la redundancia máxima (N+1) de aplicaciones críticas.



2. Instalación

2.6 Organos de protección y secciones de cables recomendados

Protección aguas arriba recomendada

Potencia nominal del SAI	Redes de entrada comunes Interruptor automático de protección aguas arriba AC Normal / AC Bypass	Redes de entrada separadas	
		Interruptor automático de protección aguas arriba AC Normal	Interruptor automático de protección aguas arriba AC Bypass
5 kVA	Curva D - 40 A	Curva C - 32 A	Curva D - 40 A
7 kVA	Curva D - 40 A	Curva C - 32 A	Curva D - 40 A
11 kVA	Curva D - 63 A	Curva C - 40 A	Curva D - 63 A



Nota: ver en anexo el diagrama simplificado de las redes de entrada comunes o separadas, que muestra la ubicación de los órganos de protección, las características de los fusibles internos del SAI y las corrientes de línea con un SAI que funciona con sobrecarga.

Protección aguas abajo recomendada

Potencia nominal del SAI	Interruptor automático de protección aguas abajo
5 kVA	Curva Z - 10 A
	Curva C - 4 A
7 kVA	Curva Z - 10 A
	Curva C - 4 A
11 kVA	Curva Z - 10 A
	Curva C - 6 A

Las protecciones indicadas aseguran la discriminación entre cada salida aguas abajo del SAI, alimentadas por la red AC Normal o AC Bypass. Si no se respetan estas recomendaciones, no se asegurará la selectividad de las protecciones y se corre el riesgo de que se interrumpa la alimentación de las aplicaciones conectadas.



Nota: ver en anexo el diagrama simplificado de las redes de entrada comunes o separadas, que muestra la ubicación de los órganos de protección, las características de los fusibles internos del SAI y las corrientes de línea con un SAI que funciona con sobrecarga.

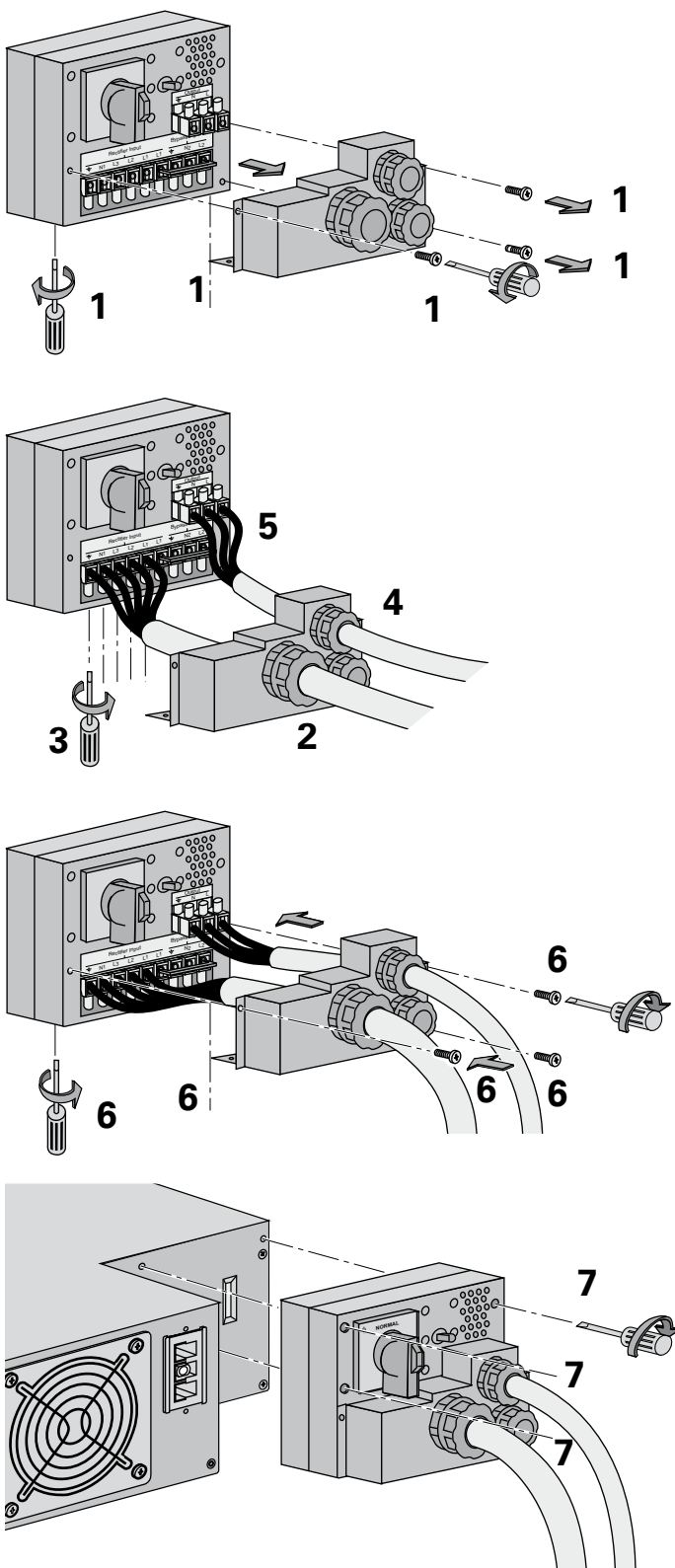
Secciones de cable recomendadas

- Capacidad de los bornes: 10 mm², cable rígido o flexible (máximo 13 mm² o AWG 6).
- Capacidad del conductor de tierra: 10 mm², cable rígido o flexible (máximo 13 mm² o AWG 6).

2.7 Conexión de los cables de potencia de entrada y salida

- Estas conexiones deben ser realizadas por personal cualificado.
- Antes de efectuar las conexiones, comprobar que el interruptor automático de batería (12) esté en posición "0" y que los interruptores automáticos de protección aguas arriba de las redes AC Normal y AC Bypass estén abiertos (posición "0").
- **EX RT** se entrega siempre con las redes de entrada AC Normal y AC Bypass conectadas mediante un puente cableado en los bornes.
- Para los cables flexibles, utilizar las cabezas de cableado suministradas con la caja de entradas/salida.

Conexión de un SAI con redes de entrada AC Normal y AC Bypass comunes



Para acceder a los bornes, ver párrafo 1.2 "Caras traseras":

- 1 - Retirar la tapa de protección de los bornes (fijada con 5 tornillos),
- 2 - Pasar el cable AC Normal a través del prensaestopas,
- 3 - Conectar los 5 hilos en los bornes AC Normal,

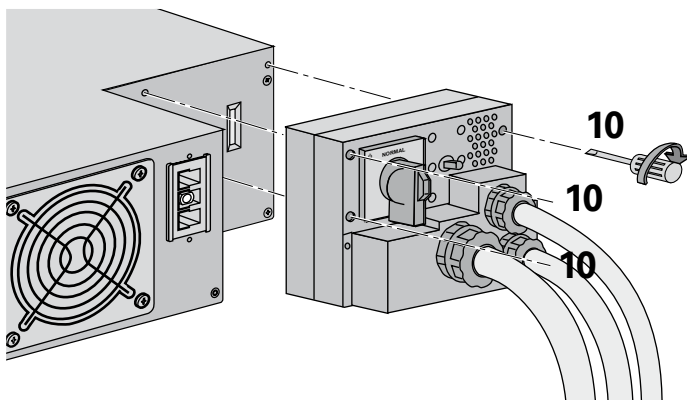
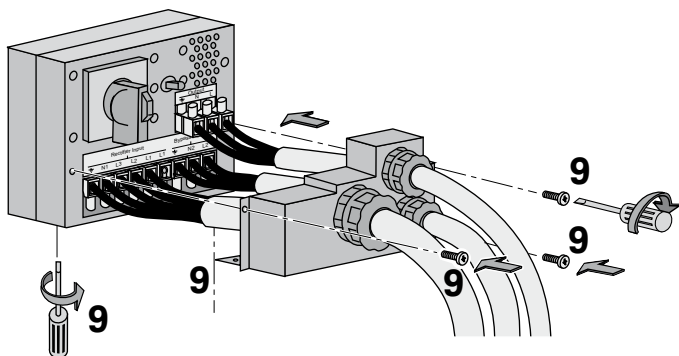
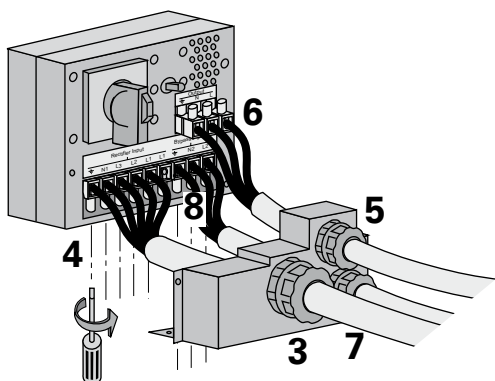
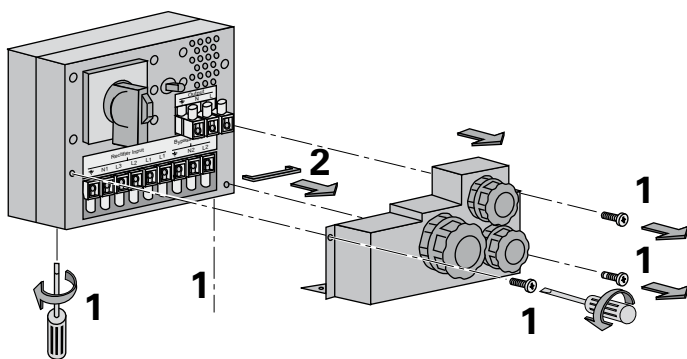


En todos los casos, conectar el hilo de tierra en primer lugar.

- 4 - Pasar el cable de salida que alimenta las aplicaciones a través del prensaestopas,
- 5 - Conectar los 3 hilos en los bornes de salida,
- 6 - Volver a colocar la tapa de protección de los bornes y apretar los prensaestopas,
- 7 - Fijar la caja de entradas/salida atrás del módulo de potencia con los 3 tornillos.

2. Instalación

Conexión de un SAI con redes de entrada AC Normal y AC Bypass separadas



- 1 - Retirar la tapa de protección de los bornes (fijada con 5 tornillos),
- 2 - Retirar el puente cableado situado entre los bornes L2 y L1,
- 3 - Pasar el cable AC Normal a través del prensaestopas,
- 4 - Conectar los 5 hilos en los bornes AC Normal,

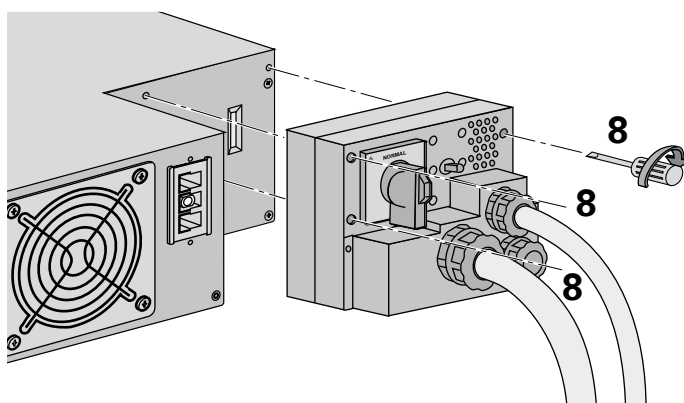
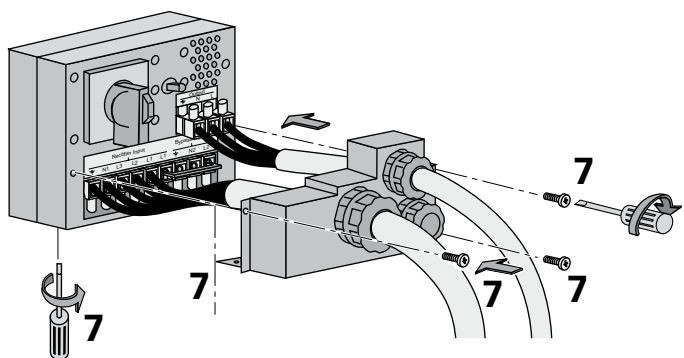
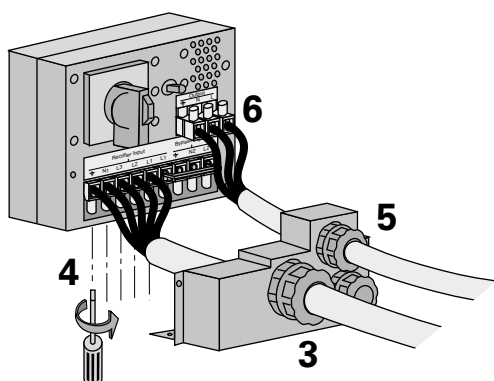
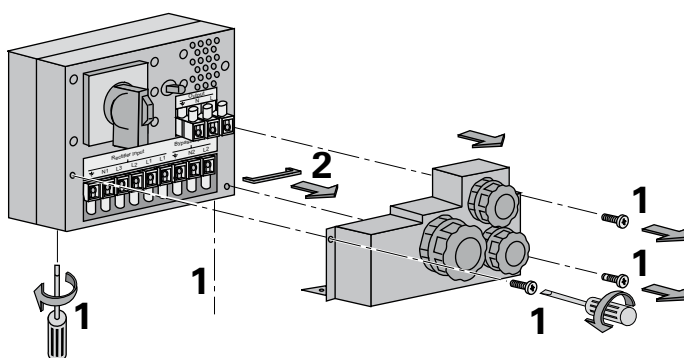


En todos los casos, conectar el hilo de tierra en primer lugar.

- 5 - Pasar el cable de salida que alimenta las aplicaciones a través del prensaestopas,
- 6 - Conectar los 3 hilos en los bornes de salida,
- 7 - Pasar el cable AC Bypass a través del prensaestopas,
- 8 - Conectar los 3 hilos en los bornes AC Bypass,
- 9 - Volver a colocar la tapa de protección de los bornes y apretar los prensaestopas,
- 10 - Fijar la caja de entradas/salida atrás del módulo de potencia con los 3 tornillos.

2. Instalación

Conexión del convertidor de frecuencia



- 1 - Retirar la tapa de protección de los bornes (fijada por 5 tornillos),
- 2 - Retirar el puente cableado situado entre L2 y L1,
- 3 - Pasar el cable AC Normal a través del prensaestopas,
- 4 - Conectar los 5 hilos en los bornes AC Normal,



En todos los casos, conectar el hilo de tierra en primer lugar.

- 5 - Pasar el cable de salida que alimenta las aplicaciones a través del prensaestopas,
- 6 - Conectar los 3 hilos en los bornes de salida,

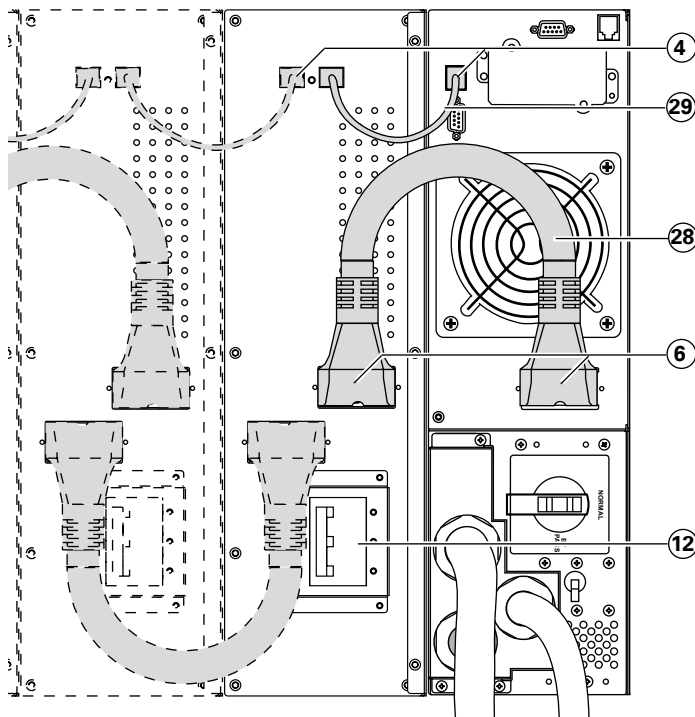


No conectar nada en los bornes AC Bypass,

- 7 - Volver a colocar la tapa de protección de los bornes y apretar los prensaestopas,
- 8 - Fijar la caja de entradas/salida atrás del módulo de potencia con los 3 tornillos.

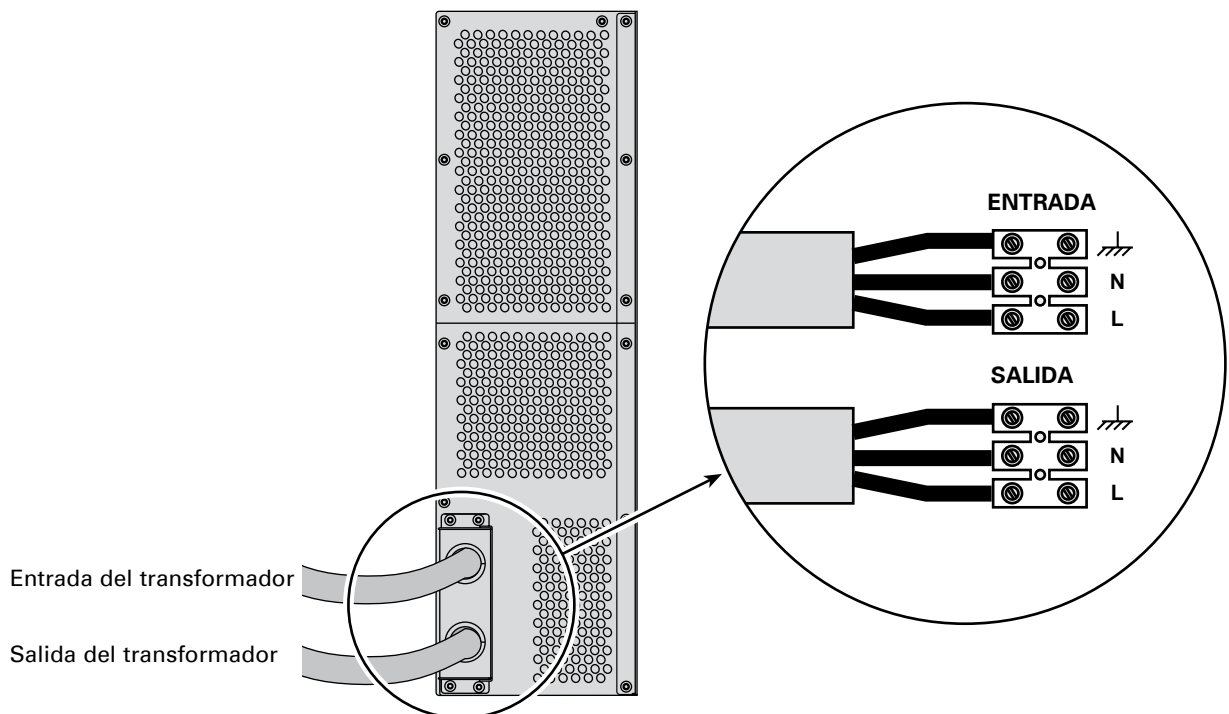
2. Instalación

Conexión de los cables de la batería



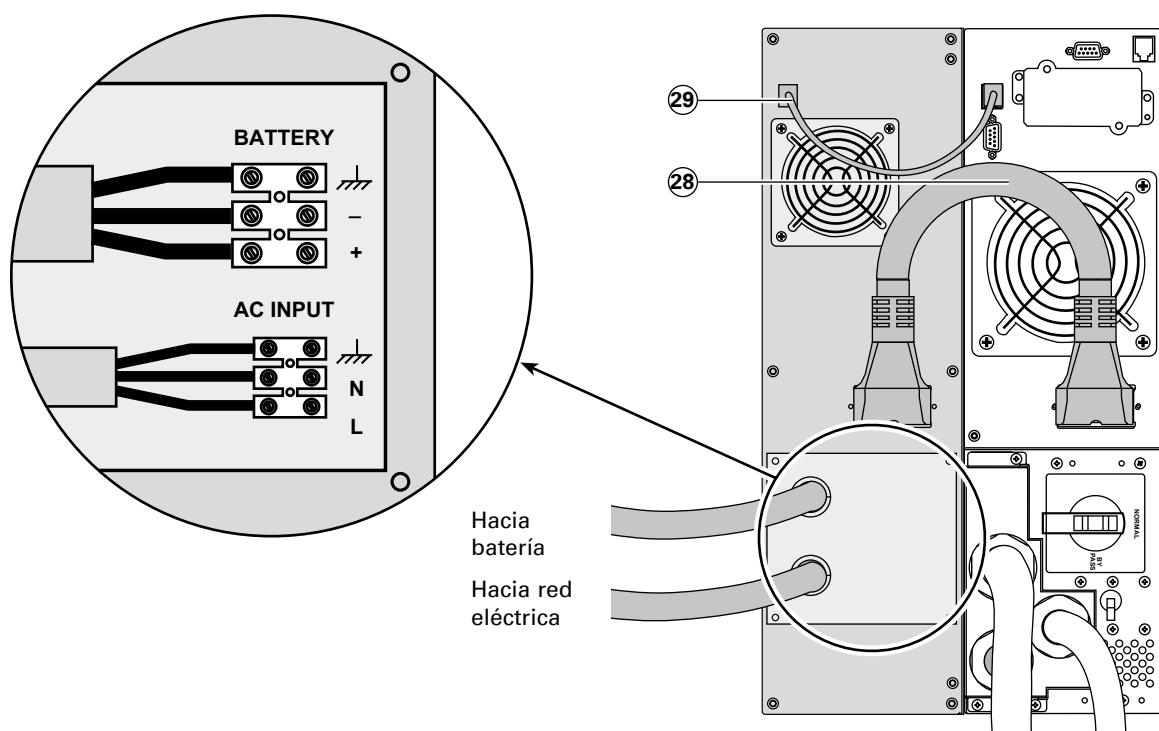
- 1 - Comprobar que el interruptor automático de la batería (12) esté en posición "0",
- 2 - Conectar el cable de la batería (28) en el conector (6) de los módulos de potencia y batería,
- 3 - Conectar el cable de detección de la batería (29) en los conectores (4) de los módulos de potencia y batería.

Conexión del transformador de aislamiento galvánico



- Sección del cable de salida (no entregada): 10 mm², cable rígido o flexible (máximo 13 mm² o AWG 6).
- Sección del cable de entrada (no entregada): 10 mm², cable rígido o flexible (máximo 13 mm² o AWG 6).

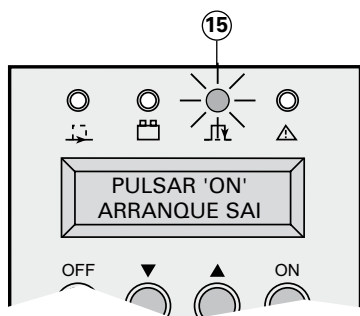
Conexión del módulo Cargador de Larga Autonomía (CLA)



- Conectar el cable de batería 28 (entregado con el módulo **CLA**) entre el módulo de potencia y el módulo **CLA**.
- Conectar el cable 29 (entregado con el módulo **CLA**) entre el módulo de potencia y el módulo **CLA**.
- Conectar la batería:
 - Sección del cable (no entregada): 10 mm², cable rígido o flexible (máximo 13 mm² o AWG 6)
- Utilizar un interruptor automático (curva B, 50 A) para la protección del cable.
- Conectar el cable de alimentación del módulo **CLA** en la red eléctrica:
 - Sección del cable de entrada (no entregada): 2,5 mm².
- Utilizar un interruptor automático (curva C, 10 A) para la protección del cable.

3. Utilización

3.1 Puesta en servicio inicial



Comprobar que el conmutador de Bypass manual (7) esté en posición "Normal".

Colocar el interruptor automático de la red AC Normal (9) en posición "I".

Colocar el interruptor automático de la batería (12) en posición "I".

Las aplicaciones conectadas son alimentadas por la fuente AC Bypass, pero no están protegidas por el SAI.

La batería se está recargando, se necesita recargarla durante 8 horas para que la batería pueda suministrar la autonomía nominal.

El indicador (15) está encendido.

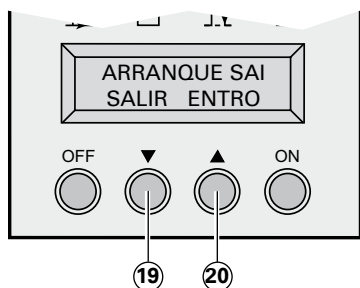
Personalización del SAI



Si se desea una personalización específica del SAI, se recomienda entrar en el modo de personalización del SAI en esta etapa.

Se puede acceder a este modo mediante las teclas del tablero de mando o mediante el software **Personal Solution-Pac** para Windows incluido en el CD-ROM **Solution-Pac** de EATON.

Personalización mediante el tablero de mando



- Pulsar simultáneamente las teclas de función (19) y (20) durante más de 3 segundos.

- Pulsar la tecla de función (20) situada bajo la palabra ENTR para acceder al modo de personalización y seguir los mensajes del visualizador utilizando las teclas de función correspondientes a las diferentes opciones propuestas.

Personalización local

Función	Personalización fábrica	Opciones
Idioma	Inglés	Francés, español, alemán, italiano.
Formato fecha/hora	Formato internacional (DD-MM-AAAA/HH:MM)	Formato US (MM-DD-AAAA/HH:MM AM/PM).
Modificación fecha/hora	Hora francesa	MM-DD-AAAA/HH:MM ajustables.
Alarma acústica	Bips rápidos	Bips lentos.

Personalización de la salida

Función	Personalización fábrica	Opciones	Comentarios
Tensión de salida	230 Volts AC	200/208/220/240/250	
Convertidor de frecuencia	Inactiva	Activa	Red AC Bypass inactiva.
Frecuencia de salida	Selección automática	50/60 Hz	El usuario puede seleccionarla en el modo convertidor de frecuencia.
Modo ECO	Inactiva	Activa	Ver el glosario.
Redundancia socorro	Inactiva	Activa	Redundancia N+1 (ver §2,5 "Redundancia socorro").
Modo de funcionamiento	Industrial	Red I/T	(*)
Transferencia en la vía del red AC Bypass	Si la red AC Bypass está fuera de las tolerancias.	Si la red AC Bypass está dentro de las tolerancias.	(*)
Tiempo de corte	10 ms	10 a 200 ms (por paso de 10 ms).	Calibrado del tiempo de corte durante la transferencia en la red AC Bypass fuera de las tolerancias.
Nivel de sobrecarga	102 %	50/70 %	

(*) : - Elegir "Red I/T" y "AC Bypass dentro de tolerancias" para aplicaciones informáticas.

- Elegir "industrial" y "AC Bypass fuera de tolerancias" en caso de continuidad de servicios extremo (se aceptan cortes de 10 ms).

Personalización ON/OFF

Función	Personalización fábrica	Opciones	Comentarios
Inicio con batería	Inactiva	Activa	Inicio con batería.
Parada forzada	Activa	Inactiva	Asegura el inicio automático de su sistema, aún si la red eléctrica vuelve antes del final de la secuencia de parada.
Inicio automático	Activa	Inactiva	Inicio automático del SAI cuando vuelve la red AC Normal
Puesta en espera	Inactiva	Activa	Parada automática de la autonomía de batería a nivel de potencia < 10%.
Marcha/parada mediante software_	Activa	Inactiva	Autoriza que se tomen en cuenta las órdenes de parada o de inicio dadas a través de los softwares.

Personalización de la batería

Función	Personalización fábrica	Opciones	Comentarios
Test de la batería	Cada semana	Ausencia de test/diario/mensual	
Prealarma fin de autonomía	20 %	0 a 100 %	Resolución del 1%.
Selección de las autonomías de batería	Número de módulos batería detectados por el SAI.	De 50 a 400 Ah	Requiere EX RT CLA si se utiliza esta opción (ver §1.4 "Extensiones de la batería").
Protección de la batería contra las descargas profundas	Activa	Inactiva	Si inactiva, pérdida de la garantía EATON.

- Pulsar la tecla QUIT al final de la personalización.
- Estos parámetros se modificarán únicamente con el **SAI** apagado.

Personalización mediante software exterior



- Insertar el CD-ROM Solution-Pac en el lector
- En la primera pantalla del navegador, seleccionar "Instalación" y seguir las instrucciones para instalar el software Personal Solution-Pac.
- Si no aparece nada, ejecutar startup.exe
- Seleccionar luego "Advanced setting" y "UPS settings"

Obsérvese que las versiones Linux/Unix/MacOS del software **Personal Solution-Pac** no incluyen esta posibilidad.

3.2 Secuencia de inicio del SAI



- Pulsar la tecla ON durante más de 3 segundos.
- Después de la secuencia de test interna del SAI, se enciende el indicador verde ⑬.

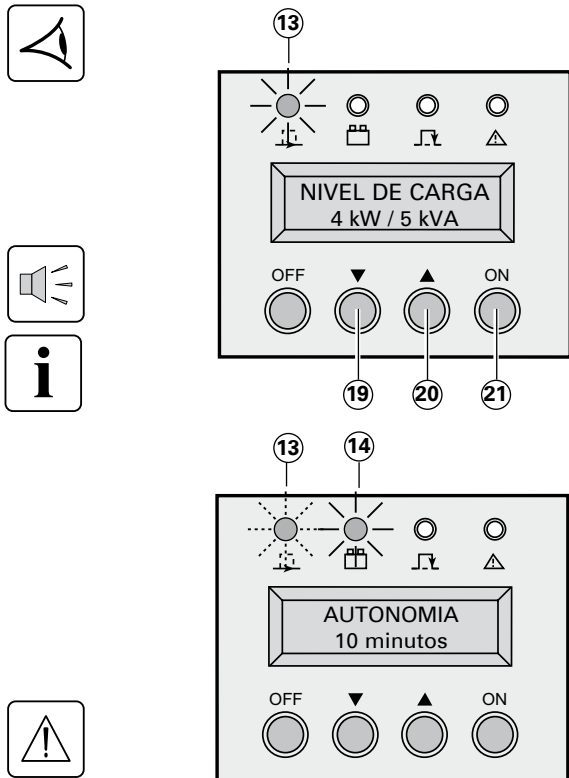


En el momento del inicio, si la red AC Bypass está fuera de tolerancias, el SAI producirá un corte de alimentación de las aplicaciones conectadas calibrado a 10 ms.

3. Utilización

3.3 Modos de funcionamiento

Modo normal (doble conversión)



Este es el modo de funcionamiento estándar, personalizado en fábrica.

Este modo ofrece dos posibilidades de funcionamiento.

1 - La red AC normal está disponible:

El indicador 13 está encendido.

Las aplicaciones conectadas están protegidas por el SAI.

En modo Normal, la tecla "scroll down" 19 o "scroll up" 20 permite leer las mediciones efectuadas en el SAI (tensión de las redes AC Normal y AC Bypass, modo de funcionamiento, capacidad de la batería y número de serie del SAI).

2 - La red AC Normal no está disponible:

El indicador 13 parpadea.

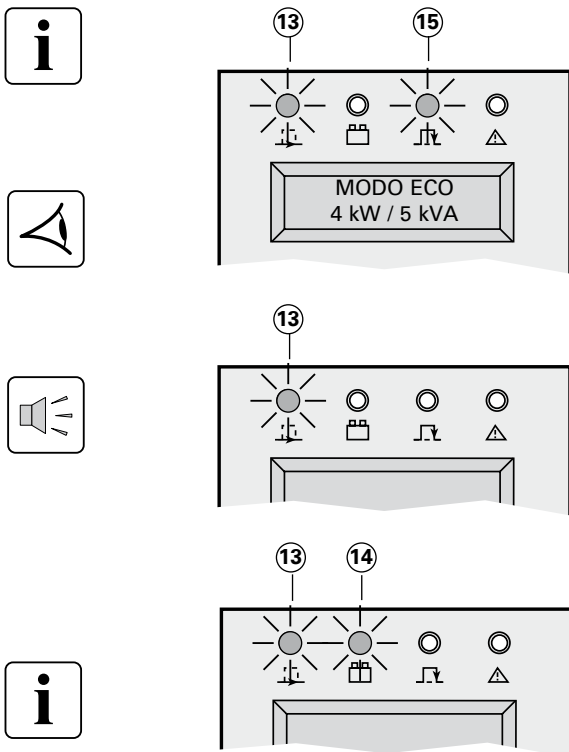
El indicador 14 está encendido.

El alarma acústica funciona con intermitencia.

Las aplicaciones conectadas son alimentadas por el SAI a partir de la batería.

No cambiar el conmutador manual de Bypass 7 cuando el SAI esté en Modo Normal.

Modo Eco



La principal ventaja de este modo es la reducción del consumo eléctrico.

En funcionamiento "modo Eco" (ver glosario), la función de filtrado del SAI está desactivada.

Existe la posibilidad de efectuar tres funciones:

1 - La red AC Bypass está disponible:

Los indicadores 13 y 15 están encendidos.

Las aplicaciones conectadas son alimentadas en modo Eco.

2 - La red AC Bypass no está disponible:

El indicador 13 está encendido.

La alarma acústica funciona con intermitencia.

La fuente AC Normal alimenta automáticamente en modo Normal las aplicaciones conectadas.

3 - Las redes AC Normal y AC Bypass no están disponibles o están fuera de tolerancias simultáneamente:

El indicador 13 está encendido.

El indicador 14 está encendido.

La alarma acústica funciona con intermitencia.

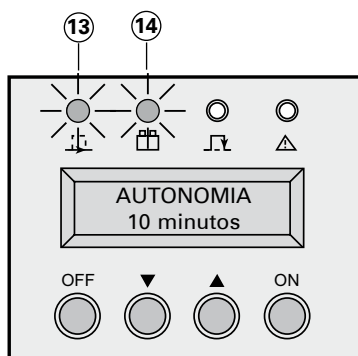
Las aplicaciones conectadas son alimentadas por el SAI a partir de la batería.

El visualizador indica la autonomía batería restante.

3.4 Funcionamiento con batería

Las aplicaciones conectadas siguen siendo alimentadas por el SAI cuando la red AC Normal no está disponible. La energía suministrada proviene de la batería.

Cambio a batería



El indicador 13 está encendido.

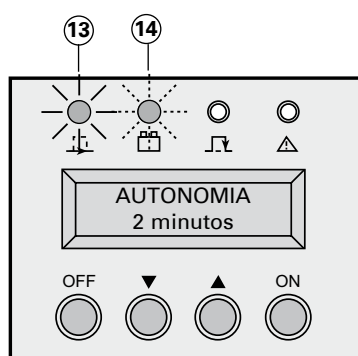
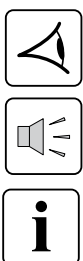
El indicador 14 está encendido.

La alarma acústica emite un bip cada 10 segundos.

Las aplicaciones conectadas son alimentadas a partir de la batería.

El visualizador indica la autonomía batería restante.

Umbral de prealarma de fin de autonomía de la batería



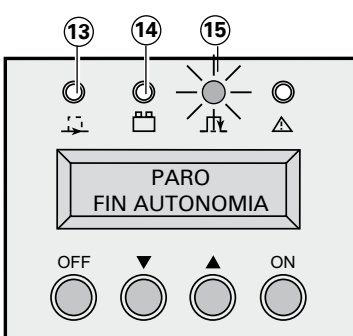
El indicador 13 está encendido.

El indicador 14 parpadea.

La alarma acústica emite un bip cada 3 segundos.

Queda muy poca autonomía en la batería. Cerrar todas las aplicaciones conectadas ya que el SAI se apagará automáticamente.

Fin de autonomía de la batería



Los indicadores 13 y 14 están apagados.

La alarma acústica está silenciosa.

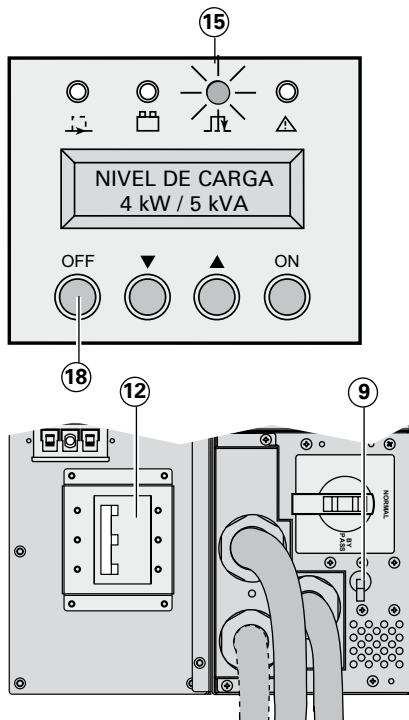
Las aplicaciones conectadas son transferidas en la red AC Bypass si está presente. En este caso el indicador 15 está encendido.

3.5 Retorno de la red AC Normal

Después del corte, el SAI se inicia automáticamente una vez que vuelve la red AC Normal (a menos que esta función haya sido desactivada en el menú de personalización del SAI).

3. Utilización

3.6 Parada del SAI



1 - Pulsar la tecla (18) durante más de 3 segundos.



Las aplicaciones conectadas dejan de ser protegidas por el SAI y son alimentadas por la red AC Bypass. Si el SAI está en modo convertidor de frecuencia, las aplicaciones conectadas dejan de ser alimentadas. Si la red AC Bypass está fuera de las tolerancias, el SAI provocará un corte calibrado a 10 ms.

2 - Colocar el(los) interruptor(es) automático(s) (12) en posición "0".

3 - Colocar el interruptor automático de la red AC Normal (9) en posición "0".

4 - Para un aislamiento completo del SAI y de las aplicaciones conectadas, el interruptor automático aguas arriba (no entregado) debe estar en posición "0" o "OFF".

4.1 Anomalías



Los indicadores ⑮ o ⑯ se encienden en presencia de una anomalía de funcionamiento o de una alarma. Utilizar la tecla de función "scroll up" o "scroll down" para apagar la alarma acústica.

Anomalías que no requieren la intervención del servicio posventa EATON:

Indicación	Significación	Corrección
El indicador ⑮ está encendido, el visualizador alfanumérico indica: MALA CONEXION RE-CABL. ALIMEN.	Error de conexión de la red AC Normal.	Corregir la conexión de la red AC Normal.
El indicador ⑮ está encendido, el visualizador alfanumérico indica: NIVEL DE CARGA Xx kW / XX KVA	Las aplicaciones conectadas son alimentadas por la red AC Bypass	Pulsar la tecla ON durante más de 3 segundos.
El indicador ⑮ está encendido*, el visualizador alfanumérico indica: SOBRECARG. TERM. 1XX%	Sobrecarga en salida del S	Comprobar la potencia consumida por las aplicaciones conectadas y desconectar todas las aplicaciones no prioritarias.
El indicador ⑯ está encendido, el visualizador alfanumérico indica: SOBRECARG. CORR.	Cortocircuito en las aplicaciones conectadas.	Buscar la aplicación en cortocircuito o en defecto.
La alarma acústica está activada, el visualizador alfanumérico indica: I/O BOX MODULO DESCONEC.	La caja Entradas/salida está mal fijada.	Comprobar la fijación de la caja Entradas/salida (cara trasera).

(*): si la red AC Bypass está disponible.

Anomalías que requieren la intervención del servicio posventa EATON:

Indicación	Significación	Corrección
Los indicadores ⑮* y ⑯ están encendidos y la alarma acústica está activada. El visualizador alfanumérico indica: FALLO xxx www.eaton.com	Fallo interno y transferencia de las aplicaciones conectadas en la red AC Bypass.	Seguir el procedimiento de reemplazo del SAI (ver § 4.3). Llamar el servicio posventa.
El indicador ⑮ está encendido* y la alarma acústica está activada. El visualizador alfanumérico indica: FALLO BATERIA	Se ha constatado un fallo de la batería durante el test de la batería.	Seguir el procedimiento de reemplazo del SAI (ver § 4.3). Llamar el servicio posventa.
El indicador ⑮ está encendido, el visualizador alfanumérico indica: FALLO BYPASS APAGADO	Defecto del contacto estático.	Seguir el procedimiento de reemplazo del SAI (ver § 4.3). Llamar el servicio posventa.
La alarma acústica está activada y el visualizador alfanumérico indica: COMPROB. BATERIA www.eaton.com	La batería ha excedido su duración de vida contractual. La autonomía de la batería se reducirá de manera importante.	Ponerse en contacto con el servicio posventa local: www.eaton.com, rúbrica "contactarnos"**.

(*): si la red AC Bypass está disponible.

(**): para liberar esta alarma definitivamente, pulsar las teclas de función ⑰ y ⑱ durante más de 3 segundos e ir al menú "ajustes LCM".

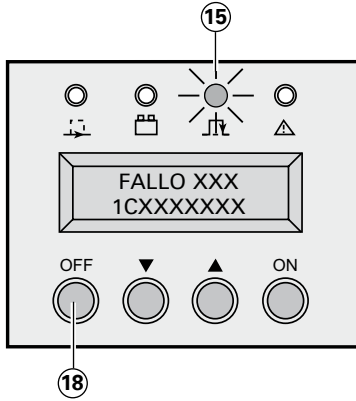
4. Mantenimiento

4.2 Reemplazo del módulo de potencia



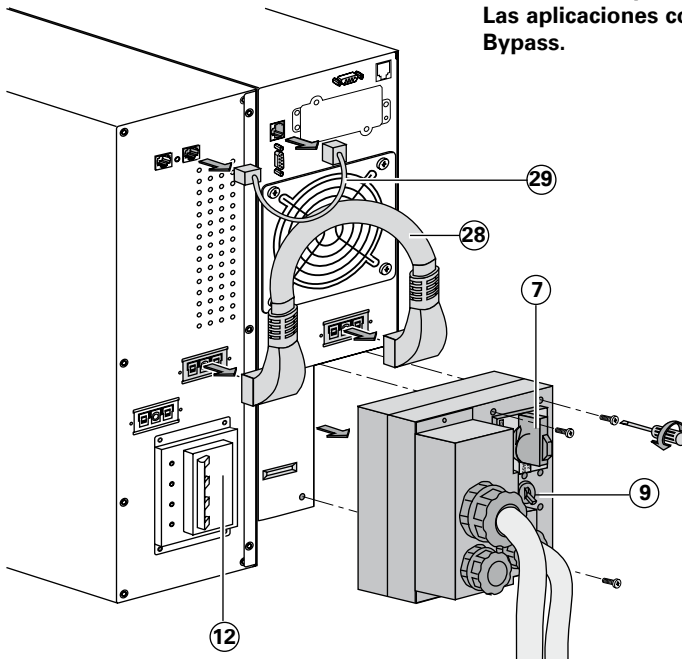
Esta operación puede efectuarse sin interrumpir la alimentación de las aplicaciones conectadas.

Desconexión del módulo de potencia



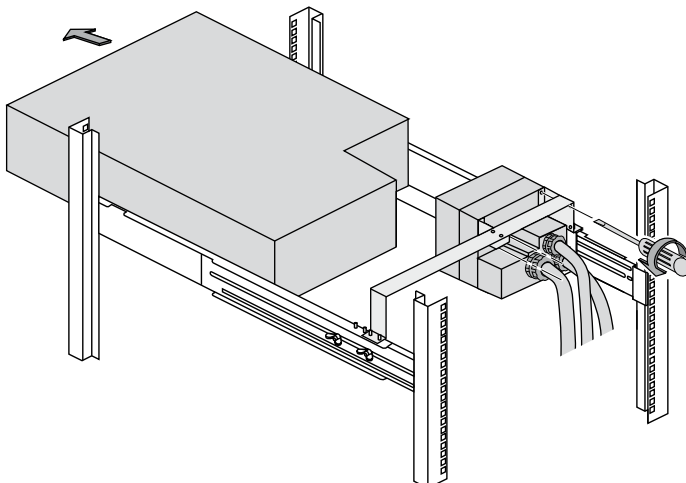
- Interrumpir el SAI, pulsando la tecla (18) durante más de 3 segundos.
- Comprobar que el SAI funcione en modo Bypass: el indicador (15) debe estar encendido (si no lo está, no cambiar el conmutador manual de Bypass y llamar el servicio posventa).
- Colocar el conmutador manual de Bypass (7) en posición BYPASS.
- Colocar el(los) interruptor(es) automático(s) de la batería (12) en posición "0".
- Colocar el interruptor automático de la red AC Normal (9) en posición "0" y esperar durante 30 segundos.
- Aflojar los 3 tornillos de fijación de la caja de entradas/salida en la parte trasera del SAI.
- Desconectar los cables de la batería (28) y (29) del módulo de potencia.

Posición torre

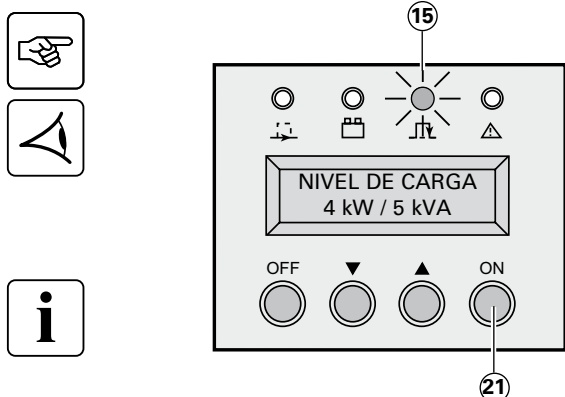


**El módulo de potencia está listo para cambiarse.
Las aplicaciones conectadas son alimentadas por la red AC Bypass.**

Posición rack



Conexión del módulo de potencia

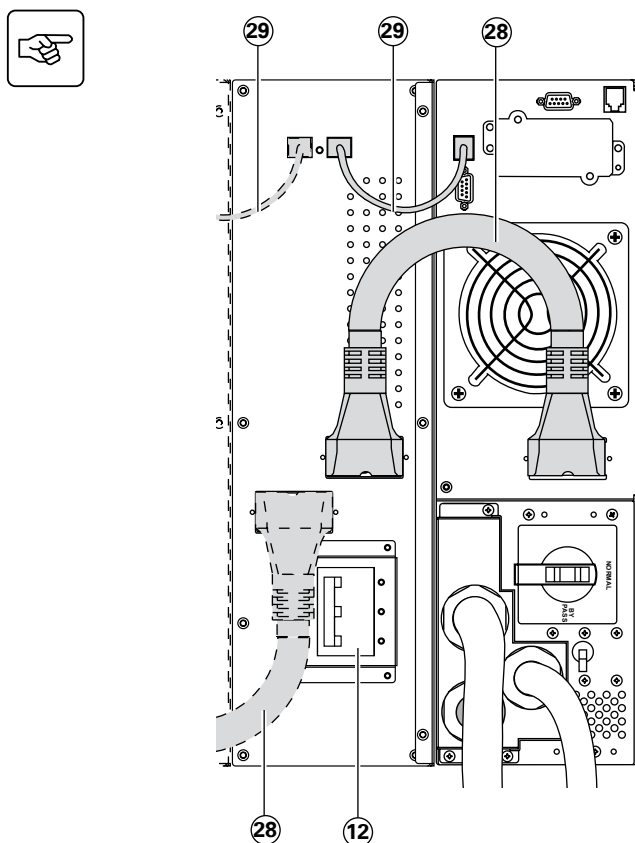


- Fijar la caja de entradas/salida en la parte trasera del SAI con los 3 tornillos previstos.
- Volver a conectar los cables de la batería 28 y 29 en el módulo de potencia.
- Colocar el(los) interruptor(es) de batería 12 en posición "I".
- Colocar el interruptor automático de la red AC Normal 9 en posición "I".
- Pasar el conmutador manual de Bypass de la posición BYPASS a la posición NORMAL.
- Comprobar que el indicador 15 está encendido.
- Seguir la secuencia de puesta en servicio inicial (ver § 3.1) para efectuar la personalización del SAI.
- Pulsar la tecla ON 21 durante más de 3 segundos.

El indicador verde 13 está encendido y las aplicaciones conectadas son protegidas por el SAI.

4.3 Reemplazo del módulo de batería

Desconexión del módulo de batería



- Colocar el(los) interruptores automáticos de batería 12 en posición "0".
- Desconectar los cables de la batería 28 y 29 del módulo de potencia.

El módulo de batería está listo para cambiarse. La aplicaciones conectadas siguen siendo alimentadas por el SAI.

También se pueden cambiar los elementos de la batería en lugar del módulo de la batería. Ponerse en contacto con su servicio posventa más próximo.

Para cambiar los elementos de la batería:

- Primeramente, colocar el(los) interruptor(es) automático(s) de la batería 12 en posición "0".
- Ver §2.3 y seguir las instrucciones de desmontaje de los elementos de la batería.

Conexión del módulo de batería



- Conectar los cables de la batería 28 y 29 en el módulo de potencia.
- Colocar el(los) interruptor(es) automático(s) de la batería 12 en posición "I".

Para volver a conectar los elementos de la batería:

Ver § 2.3 y seguir las instrucciones inversas.

- Cuando la cara delantera del módulo de batería está cerrado, conectar los cables de batería 28 y 29 en el módulo de potencia.
- Colocar el(los) interruptor(es) automático(s) de la batería 12 en posición "I".

4. Mantenimiento

4.4 Centro de formación



Para controlar la operación correcta de su aparato EATON y efectuar intervenciones básicas, ponemos a su disposición un programa completo de formaciones técnicas en inglés y francés.

For further information, please visit our website: www.eaton.com

5.1 Características técnicas

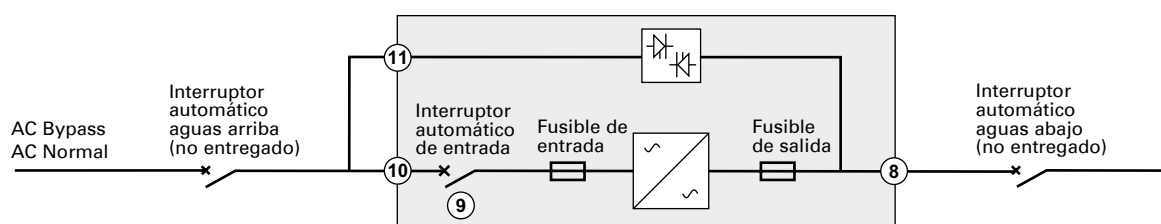
Características eléctricas

Modos de funcionamiento red I/T e industrial

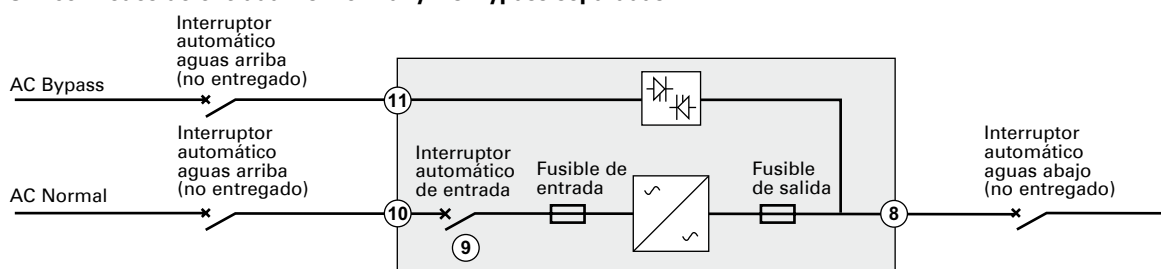
	Mode industriel	Mode réseau I/T
Surcharge avec réseau AC Bypass en tolérance.	Même fonctionnement que le mode réseau I/T, mais pas de retour en mode Normal si la surcharge disparaît.	Les applications raccordées sont transférées sur le réseau AC Bypass. Le retour en mode Normal s'effectue quand la surcharge disparaît.
Surcharge avec réseau AC Bypass hors tolérance.	Transfert des applications raccordées sur le réseau AC Bypass avec une coupure calibrée de 10 millisecondes, pas de retour en mode Normal si la surcharge disparaît.	Arrêt de l'ASI. Les applications raccordées ne sont pas transférées sur le réseau AC Bypass.
Court-circuit en sortie avec réseau AC Bypass en tolérance.	Transfert immédiat des applications raccordées sur le réseau AC Bypass, retour en mode Normal si le court-circuit est éliminé par l'action des disjoncteurs avals (voir § 2.6).	Les applications raccordées restent alimentées par l'ASI. Arrêt définitif de l'ASI au bout de 3 minutes si le court-circuit persiste.
Court-circuit en sortie avec réseau AC Bypass hors tolérance.	Transfert des applications raccordées sur le réseau AC Bypass avec une coupure calibrée de 10 millisecondes, pas de retour en mode Normal si le court-circuit est éliminé par l'action des disjoncteurs avals (voir § 2.6).	Les applications raccordées restent alimentées par l'ASI. Arrêt définitif de l'ASI au bout de 3 minutes si le court-circuit persiste.

Selección de los órganos de protección

SAI con redes de entrada AC Normal y AC Bypass comunes



SAI con redes de entrada AC Normal y AC Bypass separadas



Para determinar la dimensión de los interruptores automáticos aguas arriba, se tienen que tomar en cuenta los parámetros siguientes:

Valores de las corrientes de línea

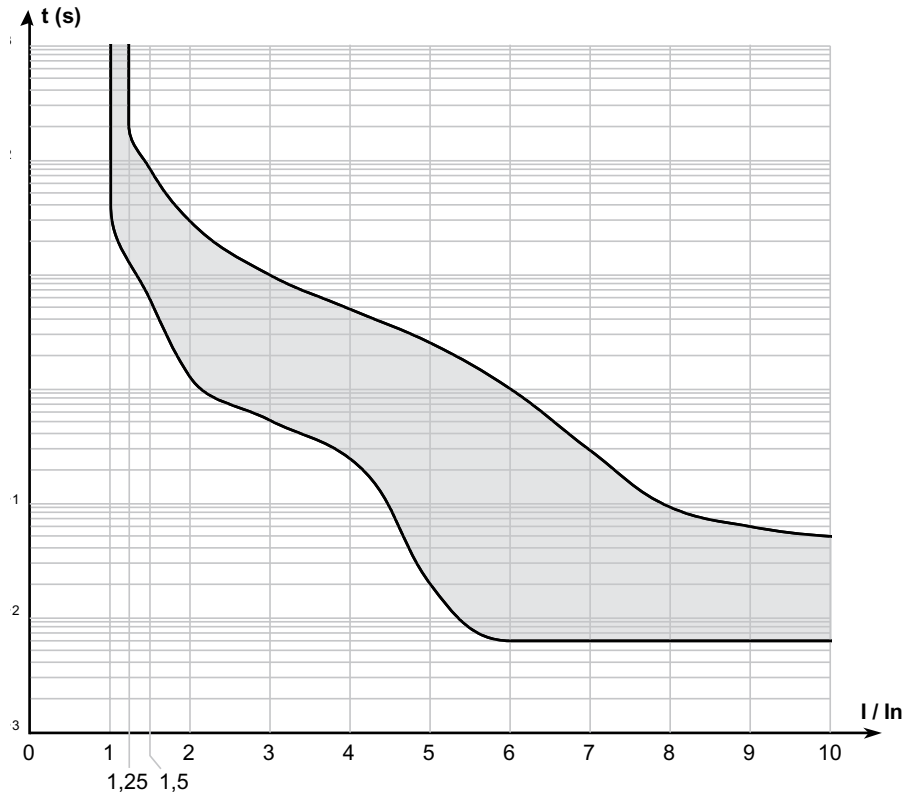
Potencia Nominal del SAI	Corriente continua a 400/320 voltios y carga nominal	Corriente continua a 320 voltios y sobrecarga = 110% limitada a 2 minutos	Calibre de los fusibles de entrada	Calibre de los fusibles de salida
5 kVA	9/10 A	11 A	25 A	80 A
7 kVA	10/11 A	12 A	25 A	80 A
11 kVA	15/19 A	21 A	30 A	100 A

La selectividad de las protecciones aguas arriba/aguas abajo indicada en el párrafo 2.6 es asegurada por un cable de 30 m máximo de longitud y 10 mm² de sección.

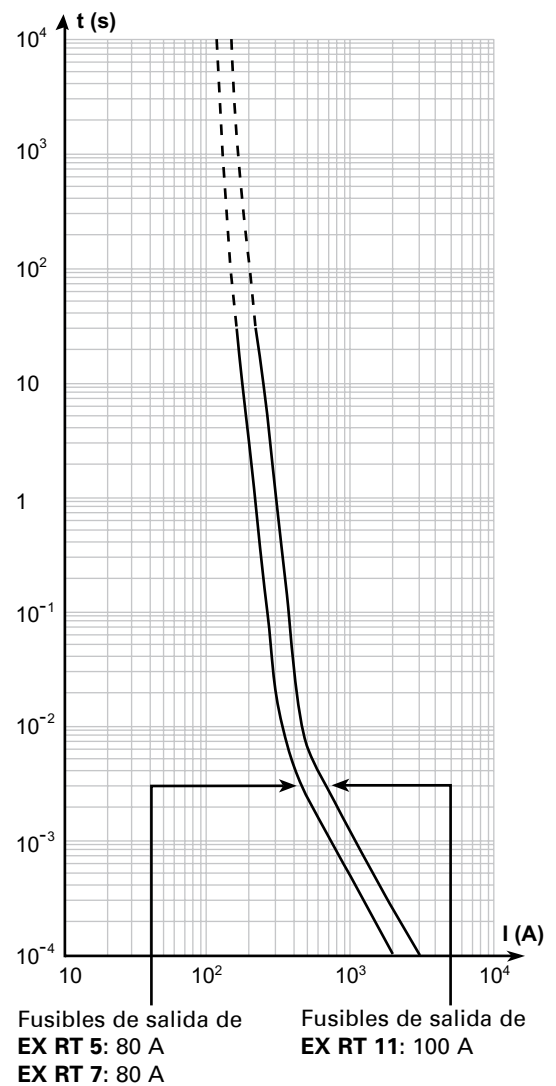
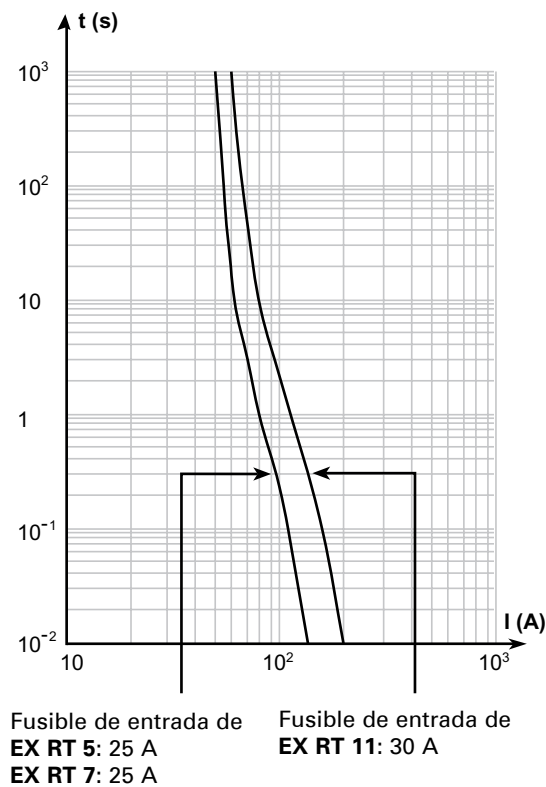
Se tiene que seleccionar el poder de corte del interruptor automático en función de la instalación, de la longitud y de la sección de los cables.

5. Anexos

Curvas Tiempo/Corriente para el interruptor automático de entrada del SAI



Curvas Tiempo/Corriente para los fusibles de entrada y salida del SAI



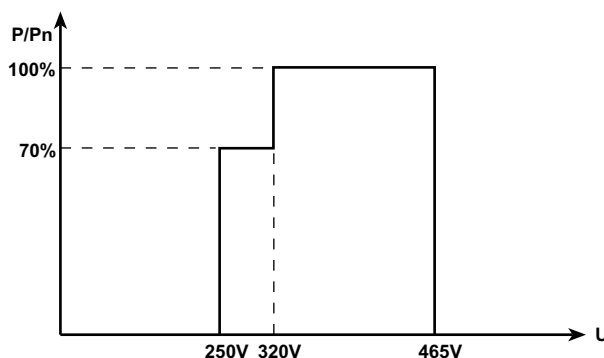
Características de entrada/salida del SAI

Fuente	Tensión	Frecuencia
Red AC Normal	320 a 465 voltios AC	40 a 70 Hz
Red AC Bypass	187 a 264 voltios AC*	48 a 52 Hz**
Salida de las aplicaciones*	230 Volts AC (autres valeurs possibles : 200/208/220/240/250 V).	Selección automática 50/60 Hz (o convertidor de frecuencia)

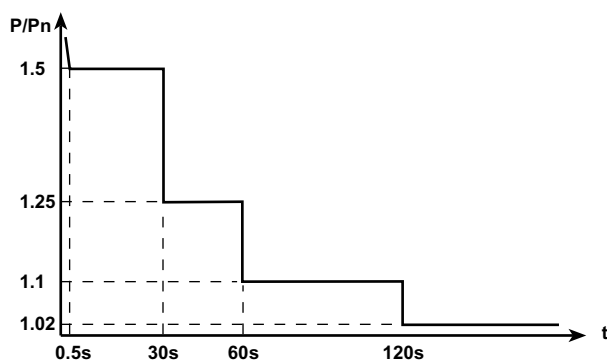
(*): depende de la tensión de salida personalizada, modificable por software

(**): personalizada a +/- por defecto (otros valores posible: 1,2,4,8), modificable por software.

Potencia suministrada por el SAI en función de la tensión de entrada



Sobrecargas admisibles por el SAI en función del tiempo



Corriente de cortocircuito suministrado por el SAI en modo Normal o Batería

- EX RT 5: 110 A durante 80 ms.
- EX RT 7: 110 A durante 80 ms.
- EX RT 11: 150 A durante 80 ms.

Módulo transformador EX RT

Potencial nominal	11 kVA
Corriente nominal	63 A
Tensión de entrada	160-280 voltios AC
Caída de tensión	7 voltios de carga nominal
Frecuencia	50/60 Hz (+/-10 %)
Aislamiento (EN 61558-1-2-4)	3,75 kV / 5 M ohmios
Temperatura de funcionamiento	De 0° à +40 °C
Índice de humedad máxima	95 %
Desclasificación de altitud	Pn -10 % > 1000 m
Dimensiones altura x ancho x prof. (torre)	444 x 131 x 635 mm
Dimensiones altura x ancho x prof. (rack 3U)	131 x 444 x 635 mm
Peso	86,5 kg

5. Anexos

Módulo EX RT CLA

- Tensión de alimentación: 160-280 voltios AC,
- Frecuencia de alimentación: 40-70 Hz,
- Corriente de recarga: 6 A CC,
- Tiempo de recarga para recobrar el 90% de la autonomía nominal después de una descarga de potencia nominal del SAI:

	Configuración 2 horas de autonomía	Configuración 4 horas de autonomía	Configuración 8 horas de autonomía
EX RT 5	5 horas	12 horas	20 horas
EX RT 7	5 horas	12 horas	20 horas
EX RT 11	7 horas	15 horas	24 horas

Características térmicas

- Temperatura de funcionamiento del SAI de 0 a 40°C (8 horas a 45°C), con un funcionamiento óptimo entre +20 y +25.
- La duración de autonomía de la batería puede ser afectada por las altas y bajas temperaturas. Se reduce significativamente a menos de 10°C. A una temperatura superior a 25°C, la duración de vida de la batería se reduce a la mitad cada 10°C. Superior a 40°C, los fabricantes de baterías no garantizan más su funcionamiento a causa de un riesgo de embalado térmico
- El aire entra por la cara frontal y sale por la cara trasera.

5.2 Glosario

Aplicación	Aparatos o dispositivos conectados en salida del SAI.
Autonomía	Tiempo durante el cual la aplicación es alimentada por la batería.
Bypass manual	Conmutador rotativo que activa el usuario y permite alimentar directamente la aplicación mediante la red eléctrica. La operación con bypass manual permite mantener ininterrumpidamente la alimentación eléctrica de la aplicación conectada.
Contactos de los relés	Información expedida en forma de contactos destinados al usuario.
Modo ECO	Modo de funcionamiento que permite alimentar directamente las aplicaciones mediante la red eléctrica si esta última se encuentra en los límites de tolerancia definidos por el usuario. Este modo permite ahorrar energía.
Modo normal o doble conversión	Modo de funcionamiento normal del SAI: la red eléctrica alimenta el SAI que alimenta las aplicaciones (tras una doble conversión electrónica).
Red AC BYPASS	Red de alimentación de la vía Bypass que permite alimentar la aplicación durante una sobrecarga en salida del SAI, un mantenimiento o en caso de mal funcionamiento.
Red AC NORMAL	Red de alimentación normal del SAI.
SAI	Sistema de alimentación ininterrumpida.

EX RT 5 3:1
EX RT 7 3:1
EX RT 11 3:1

Installatie- en gebruiker-
shandleiding



EATON

Powering Business Worldwide

Inleiding

Wij danken u voor uw keuze van een EATON product om uw apparatuur te beveiligen.

De **EX RT** reeks is met de grootste zorg ontwikkeld. Voor een optimaal gebruik van uw **UPS (Uninterruptible Power Supply – Ononderbroken Energievoorziening)** adviseren wij u deze gebruikershandleiding aandachtig te lezen.

Let op: **EX RT** is een klasse A product. In een niet zakelijke omgeving kan het apparaat interferentie veroorzaken. In dat geval kan de gebruiker aanvullende maatregelen nemen. Als het apparaat wordt geïnstalleerd in een overspanningsomgeving van categorie III of IV, moet een extra overspanningsbeveiliging stroomopwaarts worden voorzien.

Ontdek het productprogramma van EATON en de opties van de **EX RT** reeks door onze website **www.eaton.com** te bezoeken of contact op te nemen met uw EATON dealer.

Milieubehoud

EATON besteedt veel aandacht aan de invloed van zijn producten op het milieu en streeft een milieubewuste benadering na tijdens de gehele levenscyclus van de **EX RT**: ontwikkeling, gebruik en recycling.

Gebruik van deze handleiding

Er zijn twee manieren om informatie op te zoeken:

- via de inhoudsopgave,
- via de index.

Pictogrammen



Deze instructies moeten verplicht opgevolgd worden.



Informatie, tips, hulp.



Visuele indicatie die strikt opgevolgd moet worden.



Uit te voeren handeling.



Geluidssignaal.

De status van de LED's wordt als volgt weergegeven:



LED uit.



LED aan.



LED knippert.

1. Beschrijving

1.1	Standaardopstellingen	5
	Tower-opstelling	5
	Rack-opstelling	5
1.2	Achterpanelen	6
	Power module EX RT 5/7/11	6
	Batterijmodule EX RT EXB 7/11	6
1.3	Display en instrumentenpaneel	7
1.4	Opties	7
	Sets voor rackmontage	7
	Transformator voor galvanische isolatie of aanpassing aan aardingschema's	8
	Extra batterijmodules voor max. 60 minuten extra autonomie	9
	CLA-module (lange autonomie lader) voor een autonomie van 2 tot 8 uur	9
	Montagesysteem voor montage van modules op een wagen	10
	Batterijmodule met noodstop (REPO)	10
	Kabel voor batterijmodule op afstand (1,8 m)	10

2. Installeren

2.1	Uitpakken en inhoud controleren	11
	Power module	11
	Batterijmodule	11
2.2	Tower-opstelling	12
2.3	Rack-opstelling	13
	Horizontaal of verticaal plaatsen van logo en instrumentenpaneel	13
	Rackmontage van batterijmodule (optionele rails vereist)	13
	Rackmontage van batterij- en power modules (optionele rails vereist)	14
2.4	COM-poorten	16
	Aansluiten van de RS232-COM-poort	16
	Specificaties van de COM-poort met relais	16
	Noodstop	17
	Aansluiten van de noodstop	17
	Installeren van de communicatiekaarten (optioneel; standaard bij Network Pack uitvoering)	17
2.5	Installatieopties afhankelijk van Aardingschema (SLT)	18
	UPS met gemeenschappelijke ingangen voor normale AC- en AC-bypass-circuits	18
	UPS met gescheiden ingangen voor normale AC- en AC-bypass-circuits	18
	UPS met gescheiden ingangen voor normale AC- en AC-bypass-circuits afkomstig van verschillende bronnen	19
	Frequentieomzetter (zonder ingang voor AC-bypass-circuit)	19
	Noodredundantie	19
2.6	Aanbevolen beveiligingsorganen en kabeldiameters	20
	Aanbevolen stroomopwaartse beveiliging	20
	Aanbevolen stroomafwaartse beveiliging	20
	Aanbevolen kabeldiameters	20
2.7	Aansluiten van ingangs- en uitgangsvermogenskabels	21
	Aansluiten van een UPS met gemeenschappelijke ingangen voor normale AC- en AC-bypass-circuits	21
	Aansluiten van een UPS met gescheiden ingangen voor normale AC- en AC-bypass-circuits	22
	Aansluiten van de frequentieomzetter	23
	Aansluiten van de batterijkabels	24
	Aansluiten van de galvanische isolatietransformator	24
	Aansluiten van de lange autonomie lader (CLA-module)	25

Inhoudsopgave

3. Gebruik

3.1	Eerste ingebruikname	26
	Specifieke programmering van de UPS	26
	Specifieke programmering via het instrumentenpaneel	26
	Specifieke programmering via externe software	27
3.2	tartprocedure van de UPS	27
3.3	Bedrijfsmoden	28
	Normale mode (dubbele omzetting)	28
	Eco-mode	28
3.4	Werking op batterij	29
	Overschakelen op batterij	29
	Vooralarmgrens einde autonomie	29
	Einde autonomie batterij	29
3.5	Terugkeer van normale AC-circuit	29
3.6	Uitschakelen van de UPS	30

4. Onderhoud

4.1	Storingen	31
4.2	Vervangen van de power module	32
	Loskoppelen van de power module	32
	Opnieuw aansluiten van de power module	33
4.3	Vervangen van de batterijmodule	33
	Loskoppelen van de batterijmodule	33
	Opnieuw aansluiten van de batterijmodule	33
4.4	Opleidingscentra	34

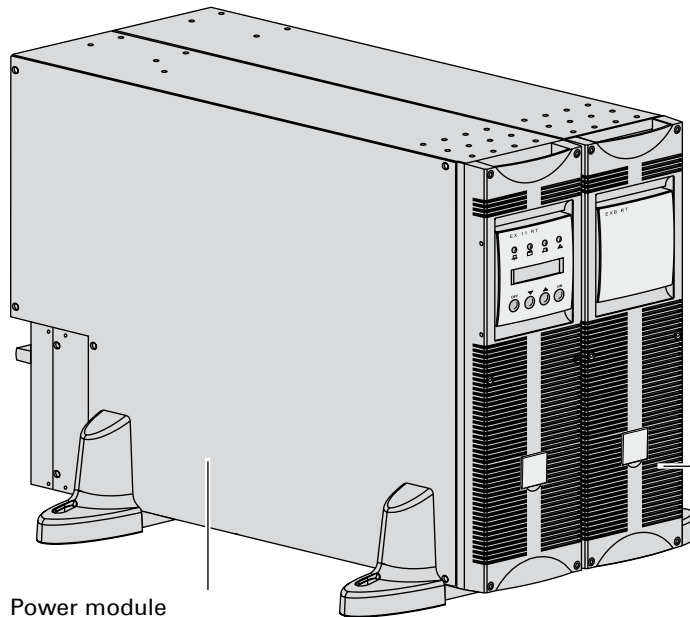
5. Bijlagen

5.1	Technische specificaties	35
	Elektrische specificaties	35
	Thermische specificaties	38
5.2	Woordenlijst	38

1. Beschrijving

1.1 Standaardopstellingen

Tower-opstelling



Power module
(EX RT 5/7/11)

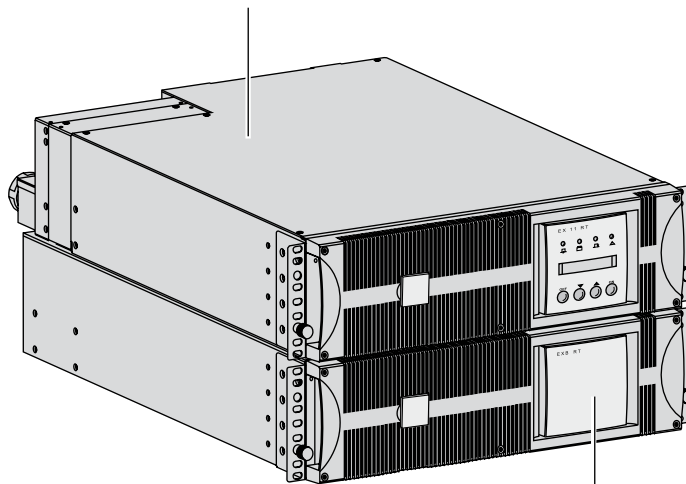
	Afmetingen in mm (H x B x D)
EX RT 5 EX RT 7 EX RT 11 EX RT EXB 7 EX RT EXB 11	444 x 131 x 635

	Gewicht in kg
EX RT 5 EX RT 7	22,5
EX RT 11	27,5
EX RT EXB 7	64,5
EX RT EXB 11	68,5

Batterijmodule
(EX RT EXB 7/11)

Rack-opstelling

Power module (EX RT 5/7/11)



	Afmetingen in mm (H x B x D)
EX RT 5 EX RT 7 EX RT 11 EX RT EXB 7 EX RT EXB 11	131 (3U) x 444 x 635

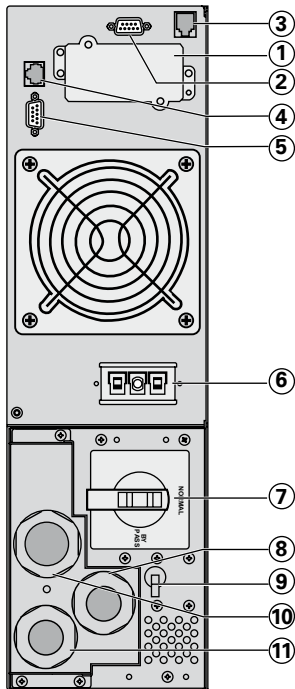
	Gewicht in kg
EX RT 5 EX RT 7	22,5
EX RT 11	27,5
EX RT EXB 7	64,5
EX RT EXB 11	68,5

Batterijmodule
(EX RT EXB 7/11)

1. Beschrijving

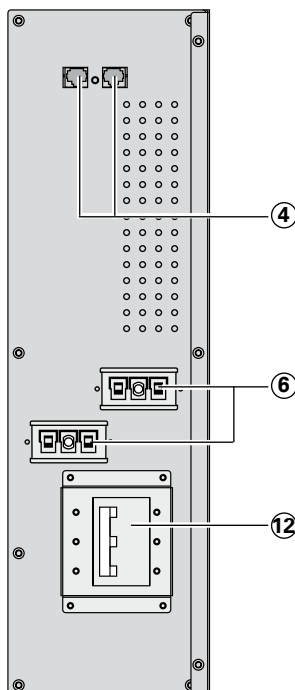
1.2 Achterpanelen

Power module EX RT 5/7/11



- ① Ruimte voor communicatiekaart.
- ② COM-poort via relais.
- ③ Aansluiting voor noodstopcontact op afstand (REPO).
- ④ Aansluiten van automatische detectie van batterijmodule(s).
- ⑤ RS232-COM-poort.
- ⑥ Aansluiten van vermogenskabels tussen batterijmodules onderling en de UPS.
- ⑦ Handmatige bypass-schakelaar.
- ⑧ Uitgangcontactblok voor de aangesloten apparatuur.
- ⑨ Schakelaar van ingang normale AC-circuit.
- ⑩ Contactblok van ingang normale AC-circuit.
- ⑪ Contactblok van ingang AC-bypass-circuit.

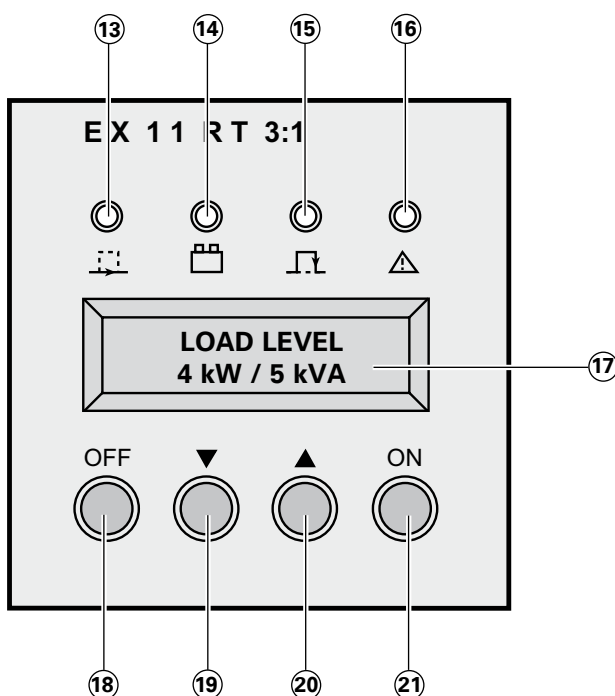
Batterijmodule EX RT EXB 7/11



- ④ Aansluiten van automatische detectie van batterijmodule(s).
- ⑥ Aansluiten van vermogenskabels tussen batterijmodules onderling en de UPS.
- ⑫ Schakelaar voor beveiliging batterij.

1. Beschrijving

1.3 Display en instrumentenpaneel

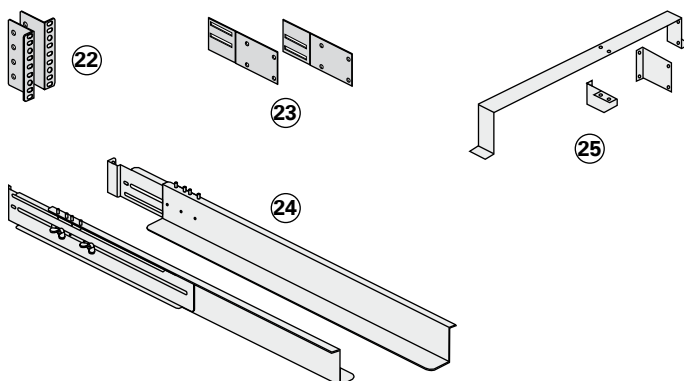


- ⑬ LED apparatuur beveiligd.
- ⑭ LED werking op batterij.
- ⑮ LED werking op bypass.
- ⑯ LED foutmelding.
- ⑰ Alfanumerieke display.
- ⑱ Uit-knop van de UPS.
- ⑲ ⑳ Functieknoppen (informatie bekijken omhoog/omlaag).
- ㉑ Aan-knop van de UPS (of functietoets van het display in specifieke programmering mode).

1.4 Opties

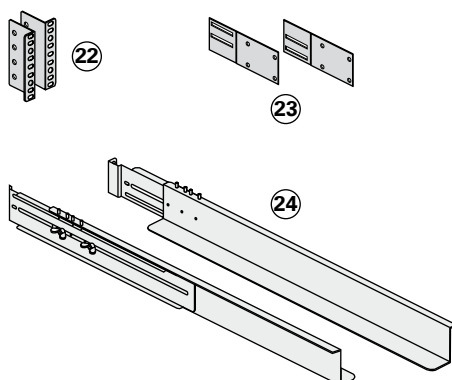
Sets voor rackmontage

Telescopische rails en accessoires voor montage van de power module in een 19"-rack (ref. 68001)



- ⑳ Bevestigingshaken voor bevestiging van de module op de zijstaanders van het rack aan de voorzijde.
- ㉑ Bevestigingssysteem aan achterzijde voor transport in het rack.
- ㉒ Telescopische rails met lengte 639 tot 1005 mm waarop de module geplaatst wordt.
- ㉓ Bevestigingssysteem van de input/output-box.

Telescopische rails en accessoires voor montage van de batterijmodule in een 19"-rack (ref. 68002)

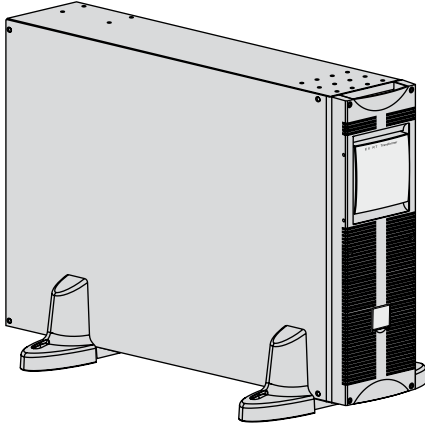


- ㉒ Bevestigingshaken voor bevestiging van de module op de zijstaanders van het rack aan de voorzijde.
- ㉓ Bevestigingssysteem aan achterzijde voor transport in het rack.
- ㉔ Telescopische rails met lengte 639 tot 1005 mm waarop de module geplaatst wordt.

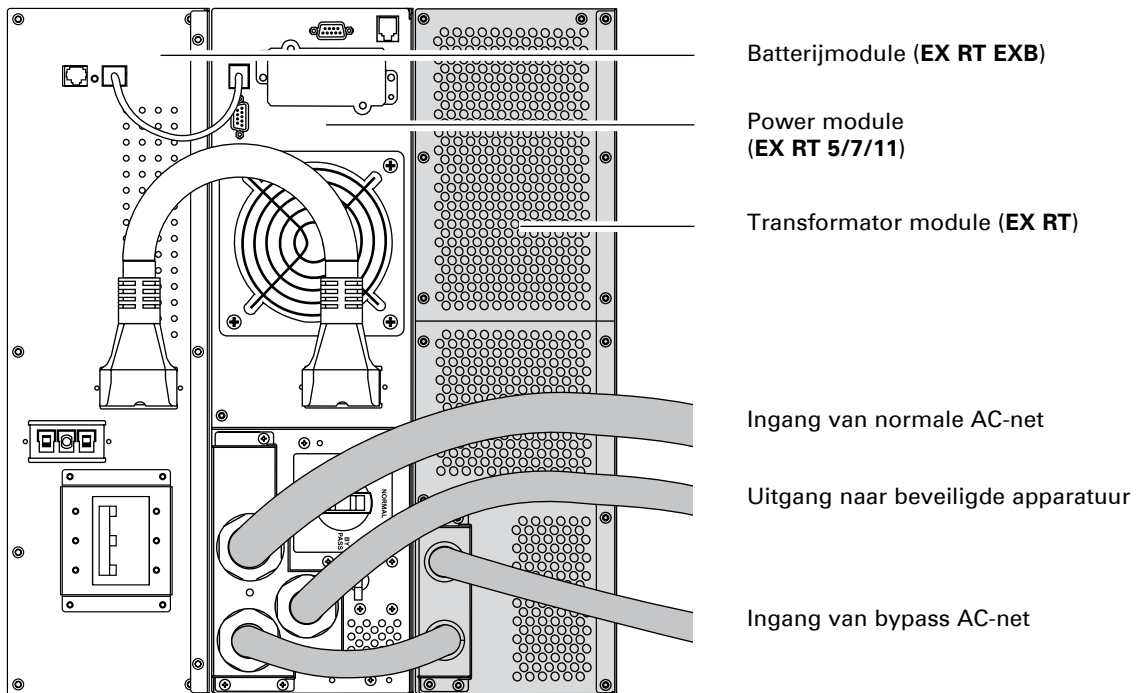
1. Beschrijving

Transformator voor galvanische isolatie of aanpassing aan aardingschema's (ref. 68003)

Deze module is noodzakelijk hetzij om stroomafwaarts van de UPS een nulleiderstelsel te verkrijgen dat verschilt van het nulleiderstelsel stroomopwaarts, hetzij om een hogere beschikbaarheid van de energievoorziening te bewerkstelligen met een gescheiden net.



Voorbeeld van een EX RT transformator die stroomopwaarts van de EX RT is geplaatst voor galvanische isolatie



1. Beschrijving

Extra batterijmodules voor max. 60 minuten extra autonomie (bij maximumvermogen)

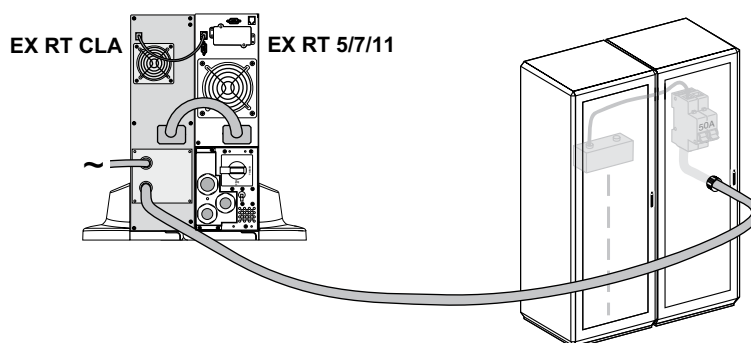
EX RT biedt een standaard autonomie van 5-9 minuten bij nominaal vermogen. Voor meer autonomie is het mogelijk extra EX RT EXB 7/11 modules aan te sluiten.

Extra batterijmodules voor EX RT 5, EX RT 7 of EX RT 11

	EX RT 5/7 + EX RT EXB 7 RT / EX RT 11 + EX RTEXTB 11	+	EX RT EXB 7 / EX RT EXB 11	+	EX RT EXB 7 / EX RT EXB 11	+	EX RT EXB 7 / EX RT EXB 11	+	EX RT EXB 7 / EX RT EXB 11	+	EX RT EXB 7 / EX RT EXB 11
5 kVA:	9 min		26 min		42 min		60 min		72 min		87 min
7 kVA:	7 min		20 min		32 min		45 min		57 min		70 min
11 kVA:	5 min		14 min		22 min		30 min		42 min		53 min

CLA-module (lange autonomie lader) voor een autonomie van 2 tot 8 uur (ref. 68004)

Voor een zeer lange autonomie van de batterij (2 tot 8 uur bij nominaal vermogen) is een EX RT CLA module vereist.



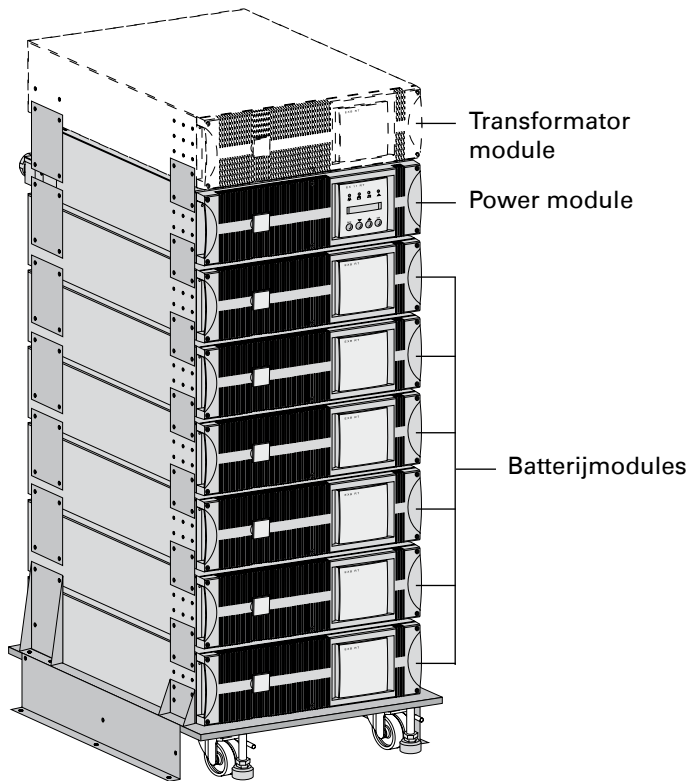
Autonomie batterij	Batterij voorgeschreven voor :		
	EX RT 5	EX RT 7	EX RT 11
2 ore	50 Ah	65 Ah	100 Ah
4 ore	100 Ah	130 Ah	200 Ah
8 ore	200 Ah	260 Ah	400 Ah

Totale spanning van de batterij: 240 V DC (20 x 12 V DC).

De capaciteit van de batterij moet specifiek in de UPS geprogrammeerd worden (programmering in stappen van 5 Ah mogelijk: zie paragraaf "Specifieke programmering van de UPS").

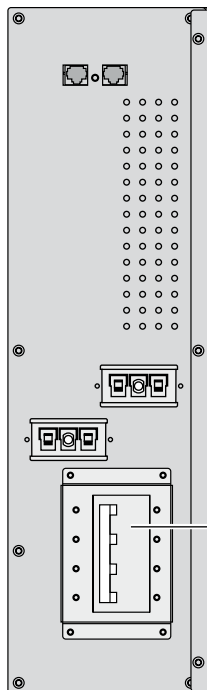
1. Beschrijving

Montagesysteem voor montage van batterijmodules op een wagen (ref. 68005)



Dankzij dit systeem kunnen bij een UPS met grote autonomie tot 8 modules op één wagen worden gestapeld (kogelscharnierwielletjes en remmen, waterpaspoten, aarbevingbestendige zijpanelen, montageplaatjes voor onderlinge bevestiging van de modules en schroevenset bijgeleverd).

Batterijmodule met noodstop (REPO)



Ref.:
EX RT EXB 7 EPO: 68079
EX RT EXB 11 EPO: 68119

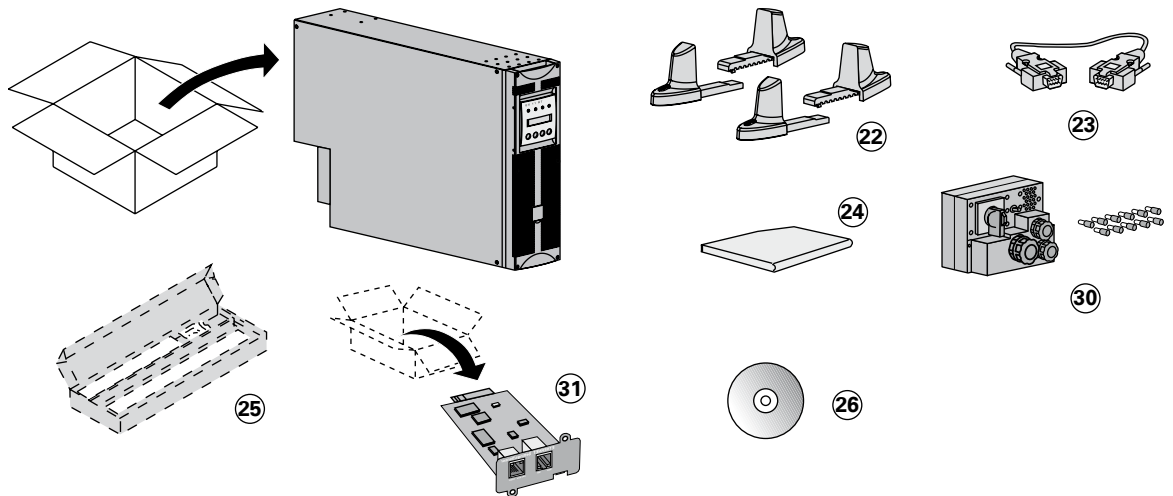
⑫ Batterijschakelaar met inschakeling noodstop op afstand

Kabel voor batterijmodule op afstand (1,8 m – ref. 68006)

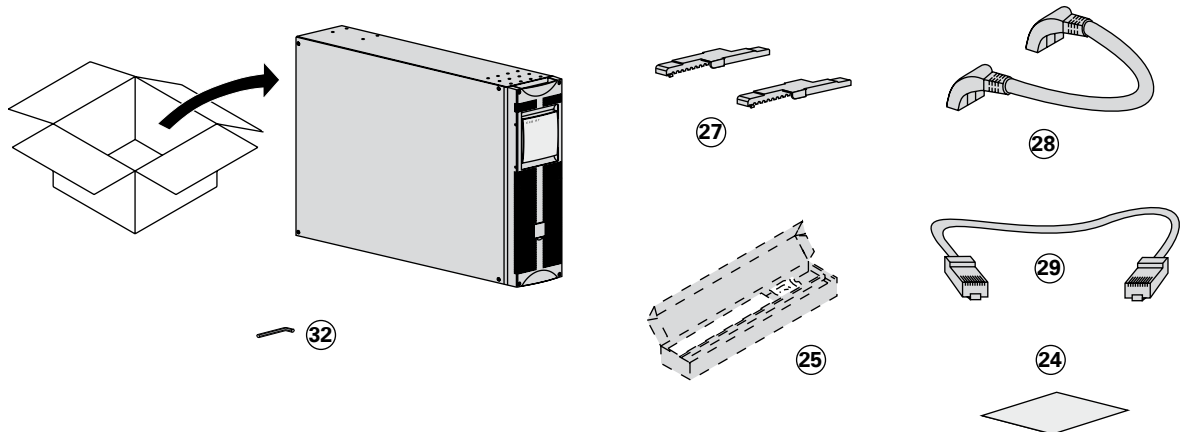
Deze extra lange kabel wordt gebruikt in plaats van de gewone batterijkabel wanneer de batterijmodules op afstand van elkaar geplaatst zijn (bijvoorbeeld in twee verschillende racks).

2.1 Uitpakken en inhoud controleren

Power module



Batterijmodule



- | | |
|--|--|
| ②② Steunpoten. | ②⑦ Verlengstukken voor steunpoten. |
| ②③ RS232-communicatiekabel. | ②⑧ Batterijkabel. |
| ②④ Installatie- en gebruikershandleidingen. | ②⑨ Kabel voor batterijdetectie. |
| ②⑤ Telescopische rails voor montage in 19"-rack (optioneel; standaard bij Network Pack uitvoering). | ③⑩ Afneembare input/output-box met 11 kabeldoppen. |
| ②⑥ Solution-Pac CD-ROM. | ③① Netkaart (optioneel; standaard bij Network Pack uitvoering). |
| | ③② Inbussleutel. |



Alle verpakkingen moeten worden weggegooid met inachtneming van de geldende wet- en regelgeving. Op de verpakkingen staan recycling-symbolen vermeld om het sorteren te vergemakkelijken.



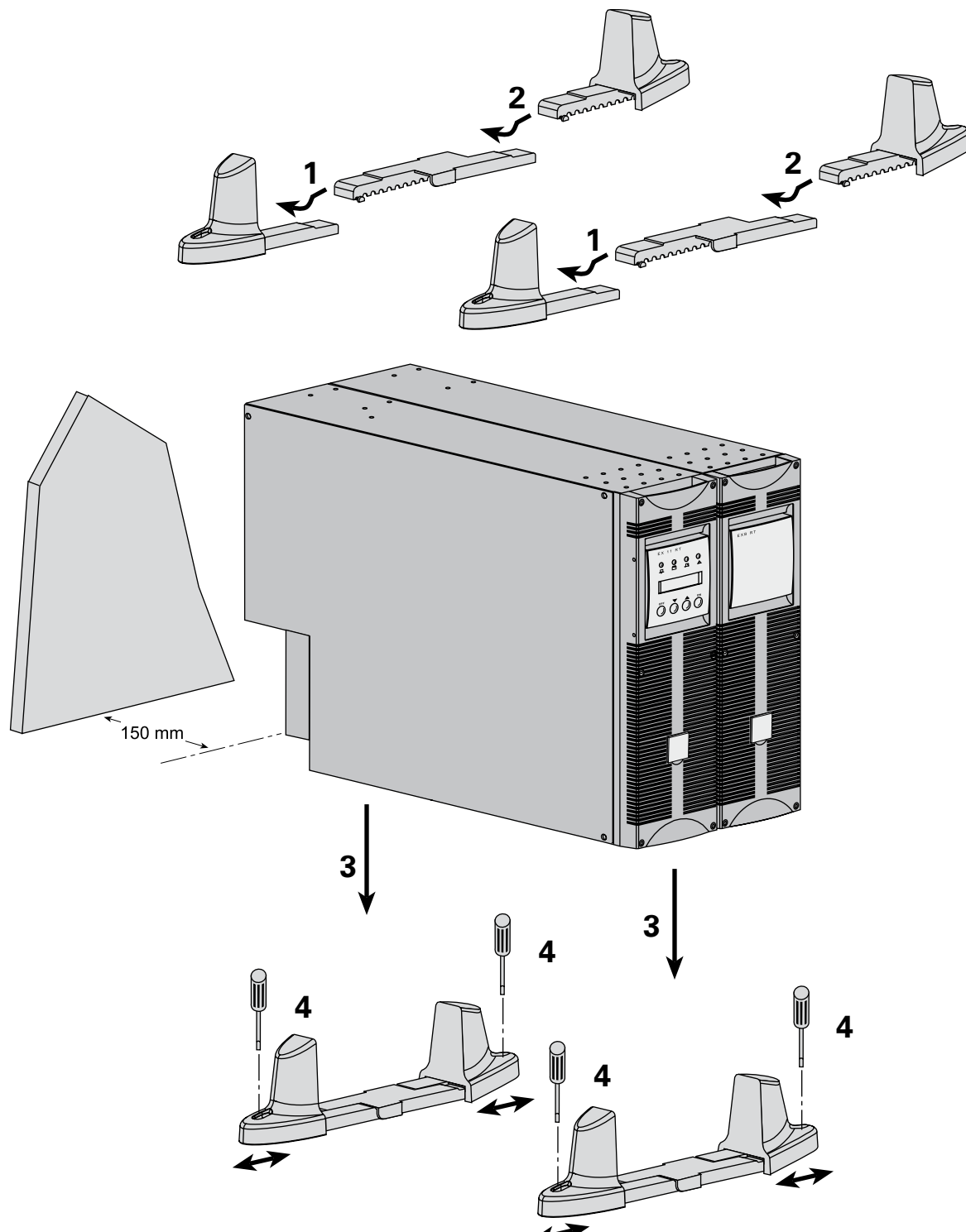
In de power module en de batterijmodule is gevaarlijke spanning aanwezig. Interventies op deze modules mogen uitsluitend door gekwalificeerd personeel uitgevoerd worden.

2. Installeren

2.2 Tower-opstelling



Gebruik de montagegemal voor de steunpoten die bij de batterijmodule geleverd wordt.



Volg stappen 1 t/m 4 om de steunpoten in verticale stand te plaatsen.

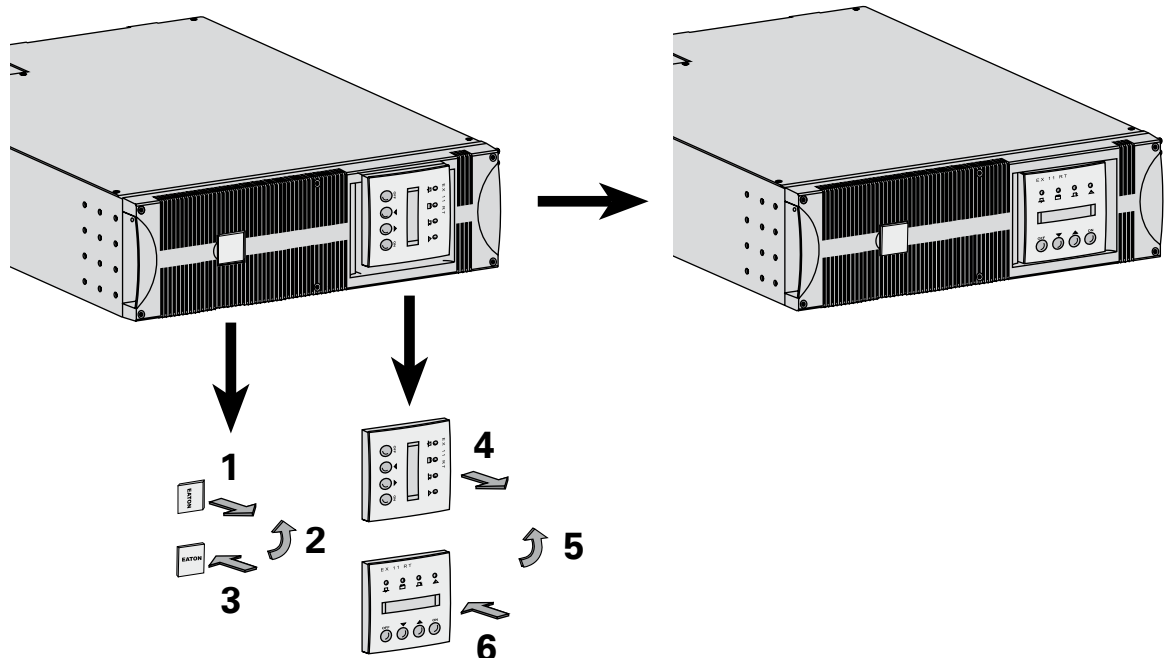


**Houd aan de achterkant van de UPS altijd 150 mm ruimte vrij.
Tussen de twee paar voetjes moet 450 mm afstand zitten.**

2.3 Rack-opstelling

Het wordt aanbevolen de batterijmodule eerst te monteren en vervolgens de power module erboven te plaatsen.

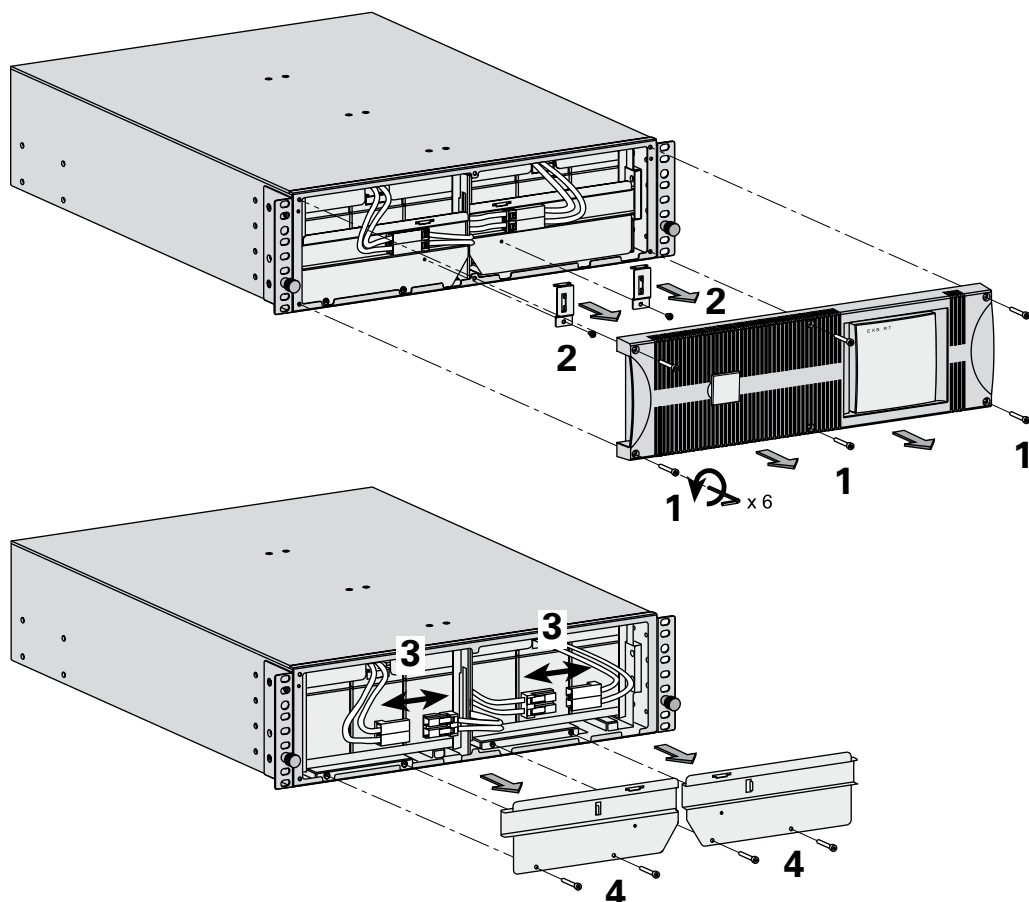
Horizontaal of verticaal plaatsen van logo en instrumentenpaneel



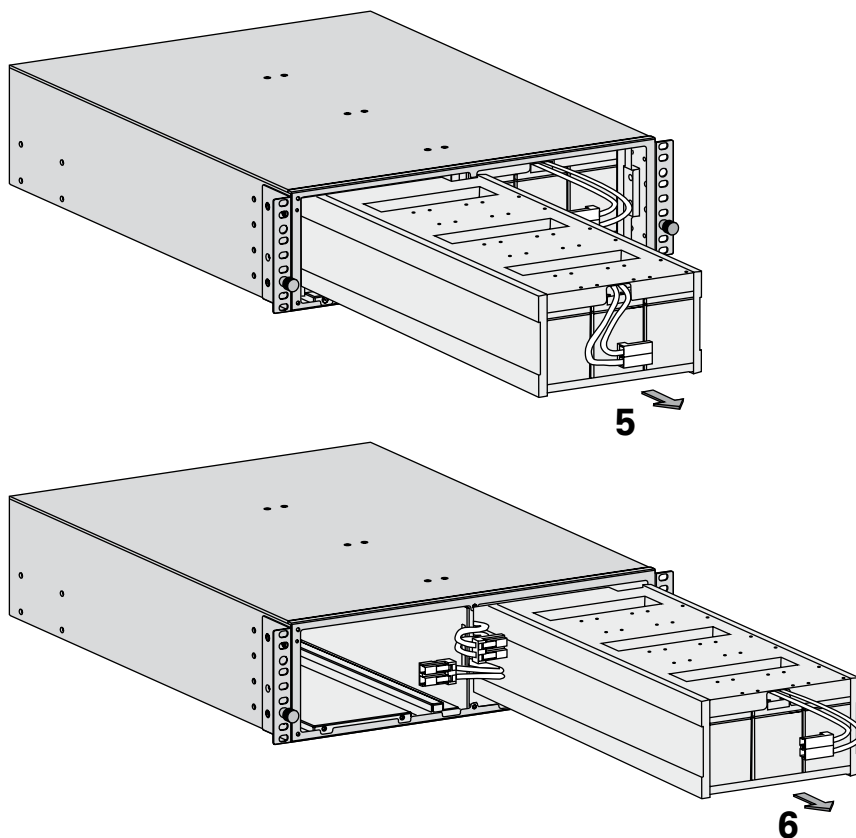
Rackmontage van batterijmodule (optionele rails vereist, ref. 68006)



De batterijmodule is erg zwaar. Om de montage te vergemakkelijken wordt aanbevolen om de batterij-elementen uit de module te verwijderen zoals aangegeven in onderstaand schema:



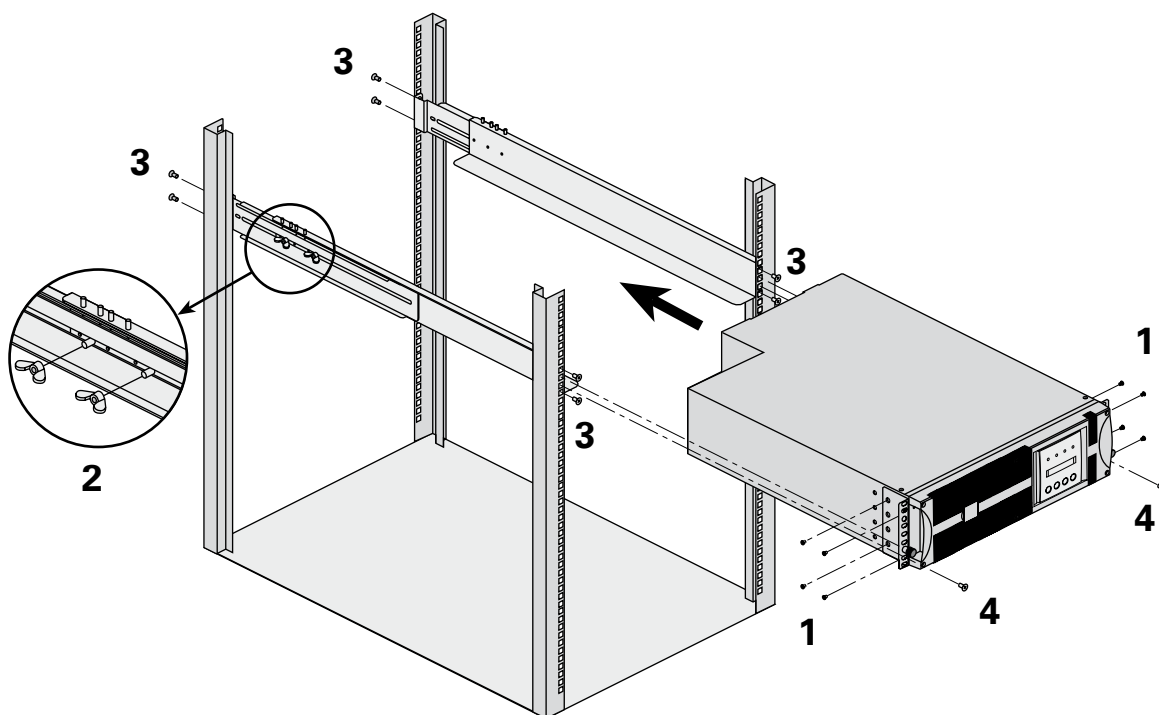
2. Installeren



Rackmontage van power of batterijmodule (optionele rails vereist, ref. 68001)



Volg stappen 1 t/m 4 om de module op de rails te plaatsen.



Rails en montageset worden geleverd door EATON.

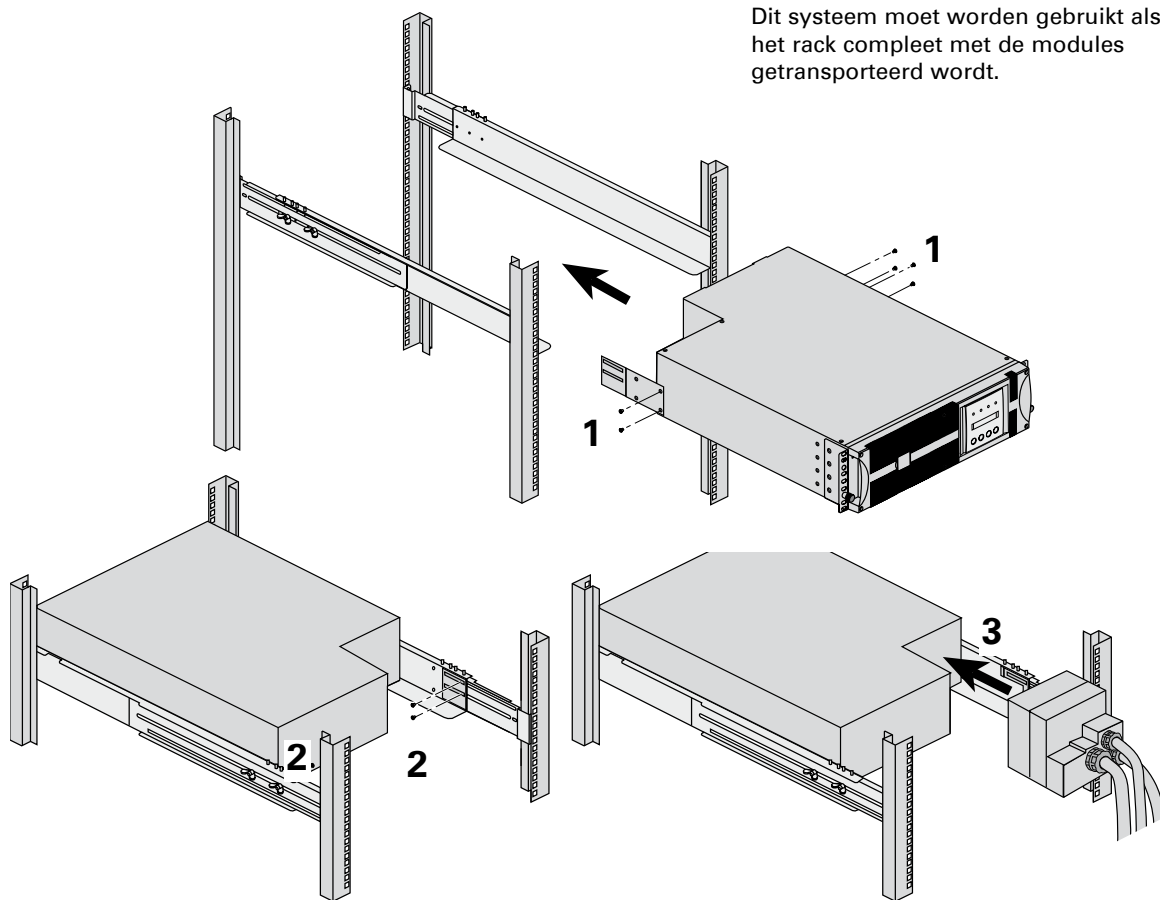
Opmerking bij stap 1: de bevestigingshaken aan de voorzijde kunnen worden bijgesteld.

2. Installeren

Bevestigingssysteem achterzijde (geleverd bij rails-set, ref. 68001 en 68002)



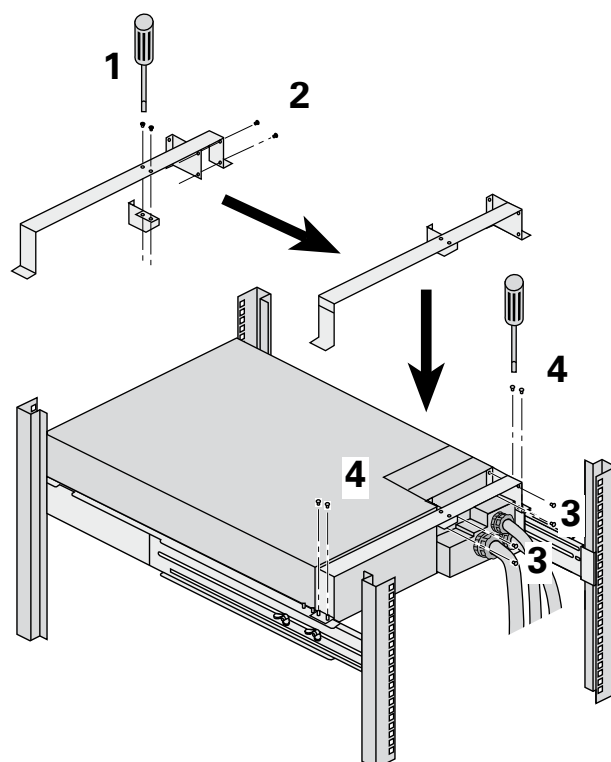
Dit systeem moet worden gebruikt als het rack compleet met de modules getransporteerd wordt.



Bevestigingssysteem van de afneembare input/output-box (geleverd bij de rails-set van de power module (ref. 68001))



Dit systeem houdt de input/output-box aan de achterzijde van het rack bevestigd tijdens het verwijderen van de module, zodat de energievoorziening naar de aangesloten apparatuur niet onderbroken wordt. Dit vergemakkelijkt het aansluiten van een vervangingsmodule op de connectors van de input/output-box.



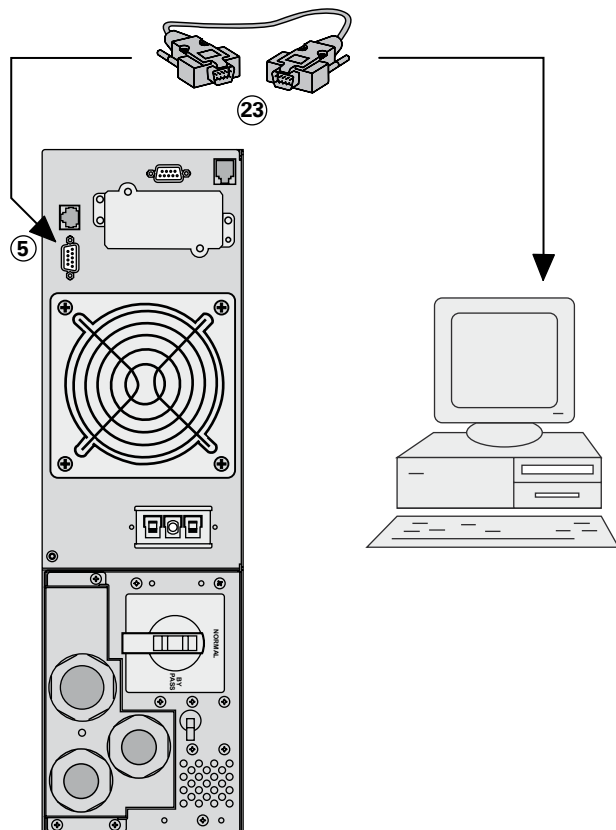
2. Installeren

2.4 Communicatieaansluitingen

EX RT biedt drie communicatiemodes die tegelijkertijd gebruikt kunnen worden:

- De COM-poort (5) biedt een RS232-aansluiting die gebruik maakt van het EATON SHUT-protocol dat compatibel is met de software voor bewaking en beveiliging op de **Solution Pac** cd-rom.
- De COM-poort met relais (2) wordt gebruikt voor het signaleren van basisinformatie of voor de beveiliging van IT-systemen zoals IBM iSeries (hoofdzakelijk AS400) en dergelijke.
- Op de ruimte (1) voor communicatiekaarten kunnen alle typen EATON kaarten worden aangesloten (zie op de website www.eaton.com voor een complete lijst van compatibele kaarten).

Aansluiten van de RS232-COM-poort

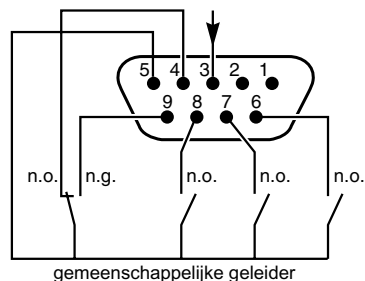


1 - Sluit de RS232-communicatiekabel (23) aan op de seriële poort van de computer.

2 - Sluit het andere eind van de RS232-communicatiekabel (23) aan op de RS232-COM-poort (5) van de UPS.

De UPS kan nu communiceren met de EATON programmerings- en bewakingssoftware op de cd-rom.

Specificaties van de COM-poort met relais (2)



- Pinnen 1,2: niet in gebruik,
 - Pin 3: commando uitschakelen op afstand (5 tot 27 V DC, 10 mA max.)
 - Pin 4: werking op netaansluiting (niet op batterij),
 - Pin 5: gemeenschappelijke geleider aangesloten apparatuur,
 - Pin 6: werking op automatische bypass,
 - Pin 7: vooralarm einde autonomie batterij,
 - Pin 8: aangesloten apparatuur beveiligd,
 - Pin 9: werking op batterij.
- n.o.: contact normaal open.
n.g.: contact normaal gesloten.

Als een statusinformatie actief is, is het contact tussen de gemeenschappelijke pin 5 en de pin van de betreffende informatie gesloten.

Specificaties van de uitgangrelais

- Spanning: max. 48 V DC,
- Stroom: max. 2 A,
- Vermogen: 62,5 VA /30 W.

Voorbeeld: bij een spanning van 48 V DC is de maximale stroom 625 mA.

Noodstop

De noodstop moet overeenkomstig de geldende normen geïnstalleerd worden.

Om de hele installatie en de **EX RT** door middel van een noodstop in één keer van de spanning af te schakelen is het noodzakelijk:

- Een houdknop te gebruiken (het NO of NC contact moet langer dan één seconde aanhouden om in aanmerking te worden genomen),
- De **EX RT EXB EPO** batterijmodule(s) te gebruiken.
- Op de houdknop één enkel systeem aan te sluiten voor het omzetten van de schakelaar(s) in de AC NORMAL en AC BY PASS circuits **stroomopwaarts**⁽¹⁾ en **stroomafwaarts**⁽²⁾ van de **EX RT**, door het toevoegen van emissie-uitschakelaars van het type MX.

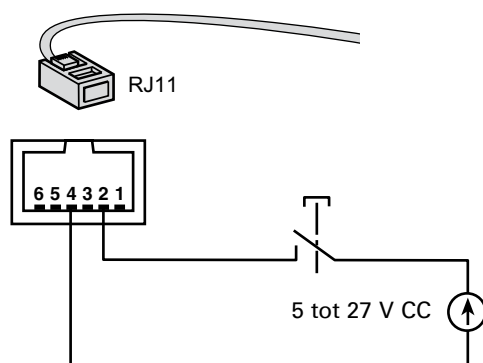
(1) Zoniet dan keert de spanning terug via het AC BY PASS circuit als de noodknop wordt losgelaten.

(2) Zoniet dan blijft de spanning na het inschakelen van de noodstop nog enkele seconden aan de uitgang aanwezig.

Aansluiten van de noodstop ③

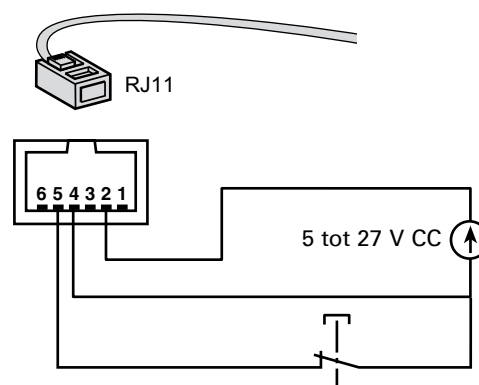
Bij gebruik in combinatie met de EPO-batterijmodule kunnen bij een noodstop alle op de UPS aangesloten voedingsbronnen in één keer via deze aansluiting worden uitgeschakeld (aansluitkabel niet bijgeleverd).

Noodstopcontact normaal open

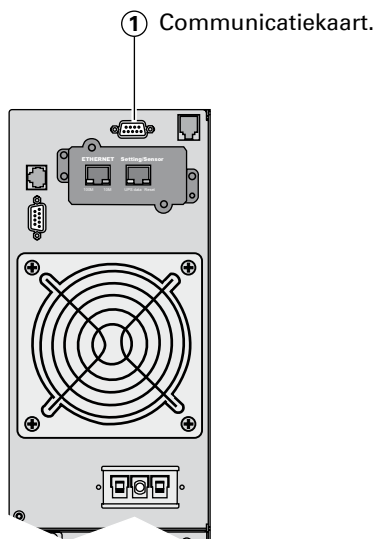


- Te leveren signaal:
 - Voedingsspanning: 5 tot 27 V DC.
 - Stroom: max. 10 mA.

Noodstopcontact normaal gesloten



Installeren van de communicatiekaarten (optioneel; standaard bij **Network Pack** uitvoering)



Non è necessario arrestare l'UPS per installare la scheda di comunicazione:

1. Smontare il coperchio fissato da due viti.
2. Inserire la scheda di comunicazione ① nel suo alloggiamento.
3. Fissare la scheda sulla parte posteriore dell'UPS per mezzo di due viti.

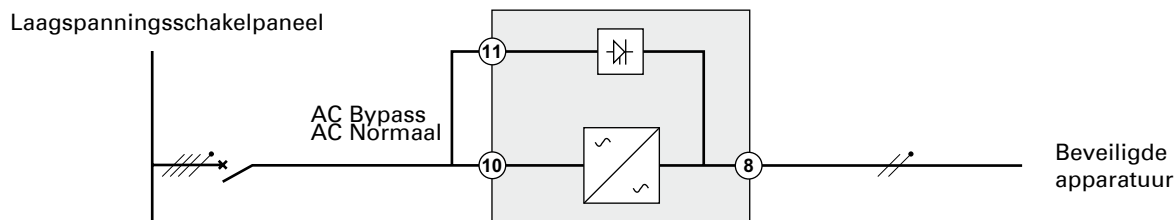
2. Installeren

2.5 Installatieopties afhankelijk van Aardingsschema

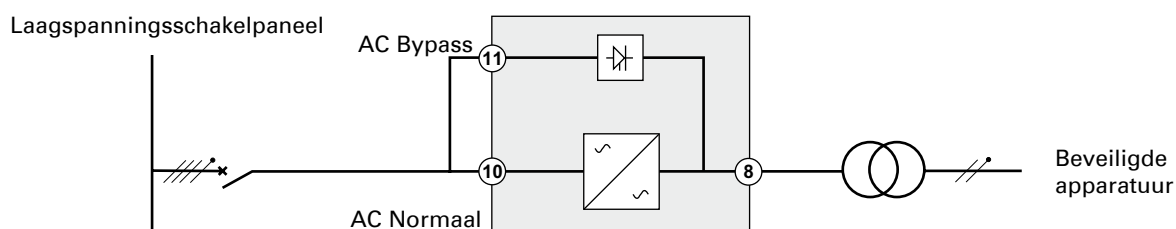


EX RT moet worden gevoed door een drie fasen aansluiting met nulleider.

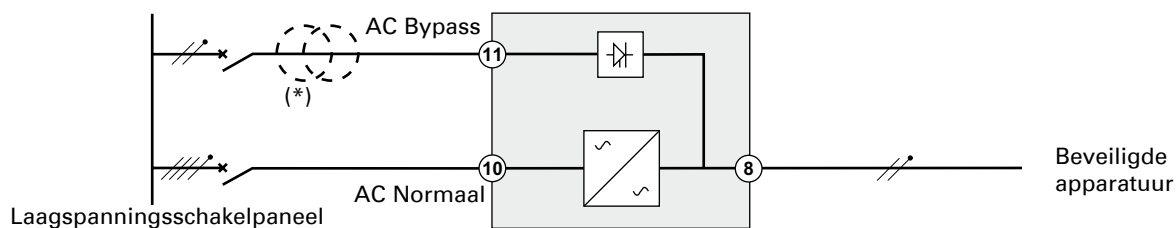
UPS met gemeenschappelijke ingangen voor normale AC- en AC-bypass-circuits



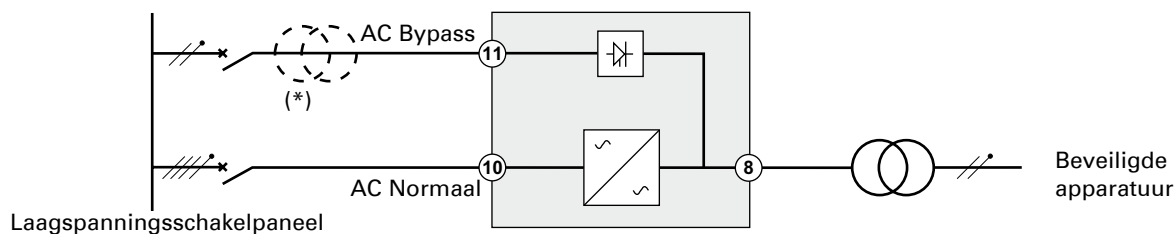
Wijziging in aardingsschema tussen stroomopwaarts en stroomafwaarts of galvanische isolatie vereist



UPS met gescheiden ingangen voor normale AC- en AC-bypass-circuits



Wijziging in aardingsschema tussen stroomopwaarts en stroomafwaarts of galvanische isolatie vereist

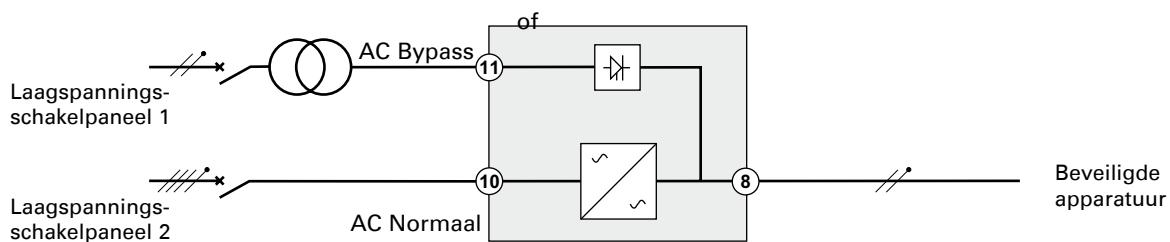
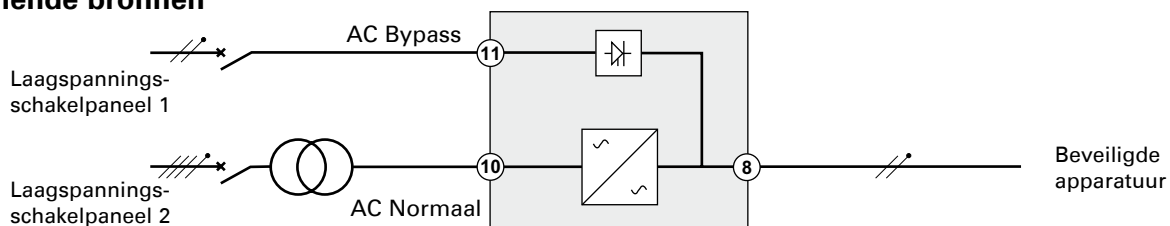


(*): De transformator is niet noodzakelijk:

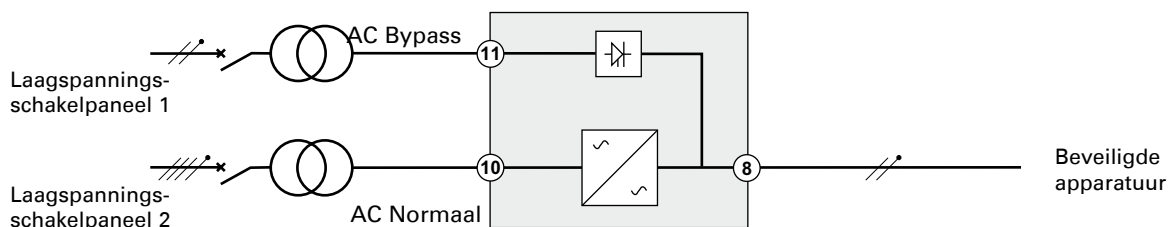
- als de normale AC- en AC-bypass-circuits afkomstig zijn van dezelfde bron,
- en als de kabels van de normale AC- en AC-bypass-circuits dezelfde doorsnede en lengte hebben,
- en als de normale AC- en AC-bypass-circuits beveiligd zijn door één aardlekschakelaar.

2. Installeren

UPS met gescheiden ingangen voor normale AC- en AC-bypass-circuits afkomstig van verschillende bronnen

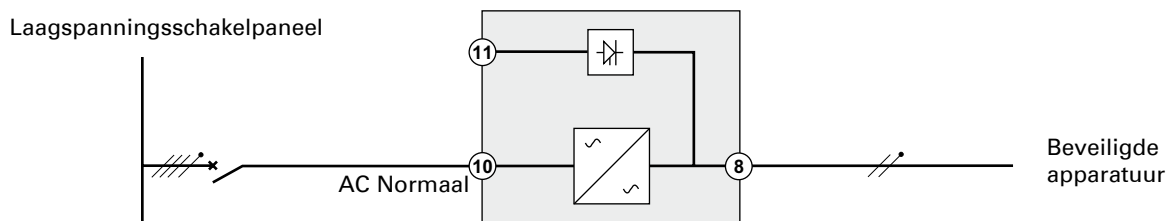


Wijziging in aardingschema tussen stroomopwaarts en stroomafwaarts of galvanische isolatie vereist



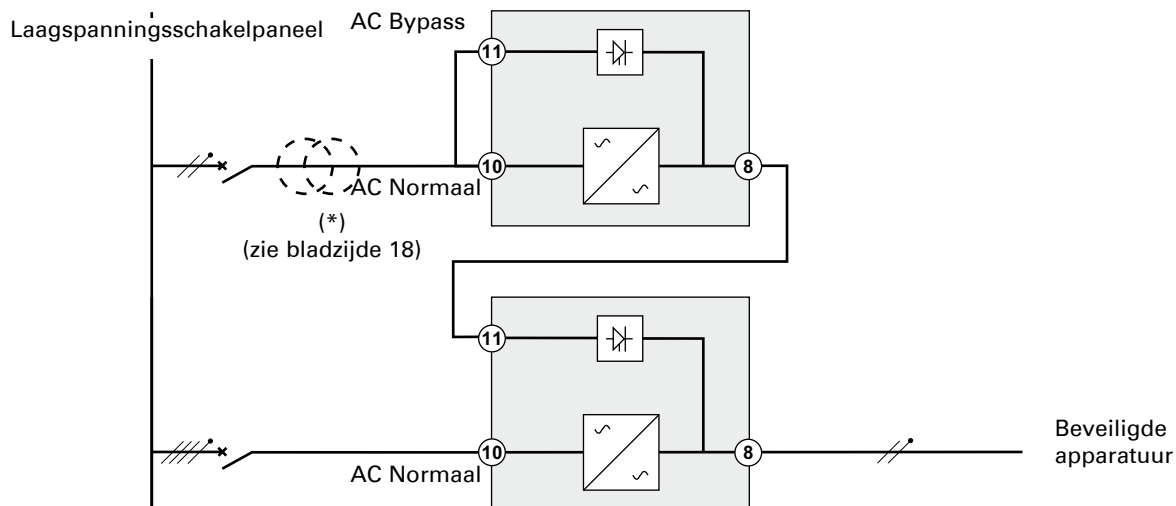
Frequentieomzetter (zonder AC-bypass-circuit ingang)

Deze configuratie wordt gebruikt als de frequentie van de beveiligde apparatuur verschilt van die van de netaansluiting (voorbeeld: UPS voor de marine).



Noodredundantie

Deze configuratie wordt gebruikt voor kritische apparatuur waarbij totale redundantie (N+1) vereist is.



2. Installeren

2.6 Aanbevolen beveiligingsorganen en kabeldiameters

Aanbevolen stroomopwaartse beveiliging

Nominiaal vermogen van de UPS	UPS met gemeenschappelijke Stroomopwaartse schakelaar AC Normaal / AC Bypass	UPS met gescheiden ingangen	
		Stroomopwaartse schakelaar AC Normaal	Stroomopwaartse schakelaar AC Bypass
5 kVA	D-karakteristiek - 40 A	C-karakteristiek - 32 A	D-karakteristiek - 40 A
7 kVA	D-karakteristiek - 40 A	C-karakteristiek - 32 A	D-karakteristiek - 40 A
11 kVA	D-karakteristiek - 63 A	C-karakteristiek - 40 A	D-karakteristiek - 63 A



N.B.: zie het overzichtsschema in bijlage met gemeenschappelijke of gescheiden ingangscircuits, waarop de plaats van de beveiligingen, de specificaties van de interne zekeringen van de UPS en de netstromen met overbelaste UPS zijn aangegeven.

Aanbevolen stroomafwaartse beveiliging

Nominiaal vermogen van de UPS	Stroomafwaartse schakelaar
5 kVA	K-karakteristiek - 10 A
	C-karakteristiek - 4 A
7 kVA	K-karakteristiek - 10 A
	C-karakteristiek - 4 A
11 kVA	K-karakteristiek - 10 A
	C-karakteristiek - 6 A

De aangegeven beveiligingen zorgen voor de scheiding van alle afnamepunten stroomafwaarts van de UPS (ongeacht of deze door het normale AC- of het AC-bypass-circuit van energie voorzien worden). Als deze aanbevelingen niet inachtgenomen worden is de selectiviteit van de beveiligingen niet verzekerd en kan de energievoorziening naar de aangesloten apparatuur onderbroken worden.



N.B.: zie het overzichtsschema in bijlage met gemeenschappelijke of gescheiden ingangscircuits, waarop de plaats van de beveiligingen, de specificaties van de interne zekeringen van de UPS en de netstromen met overbelaste UPS zijn aangegeven.

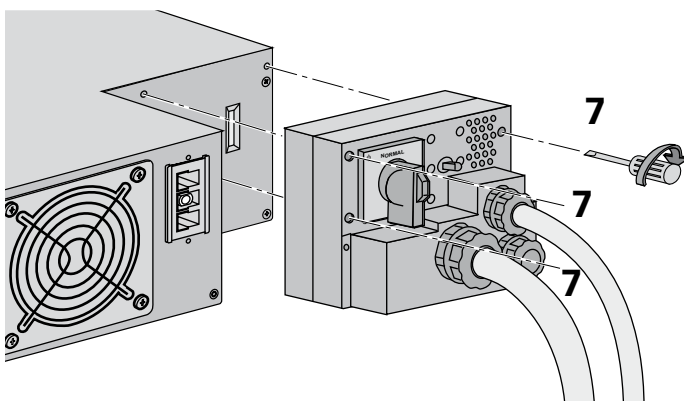
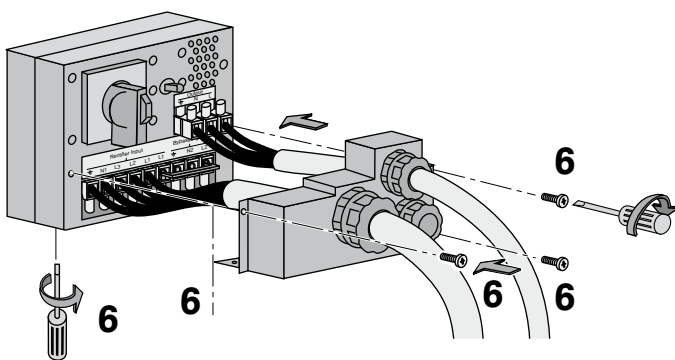
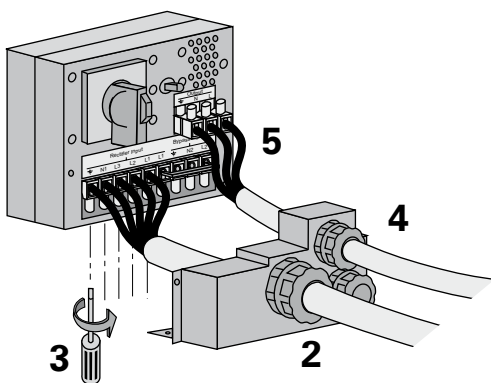
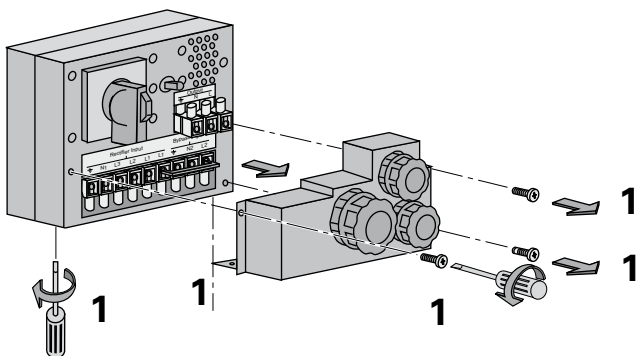
Aanbevolen kabeldiameters

- Capaciteit van het contactblok: 10 mm², harde of soepele kabel (maximaal 13 mm² of AWG 6).
- Capaciteit van aardgeleider: 10 mm², harde of soepele kabel (maximaal 13 mm² of AWG 6).

2.7 Aansluiten van ingangs- en uitgangsvermogenskabels

- Deze aansluitingen moeten door gekwalificeerd personeel worden uitgevoerd.
- Voordat met het aansluiten begonnen wordt moet gecontroleerd worden of de batterijschakelaar ⑫ op "0"-stand staat en of de stroomopwaartse schakelaars van het normale AC- en het AC-bypass-circuit op "0" staan.
- **EX RT** wordt standaard geleverd met de ingangen van het normale AC-circuit en het AC-bypass-circuit onderling verbonden door middel van een brugschakeling op het contactblok.
- Gebruik voor soepele kabels de kabeldoppen die bij de input/output-box geleverd worden.

Aansluiten van een UPS met gemeenschappelijke ingangen voor normale AC- en AC-bypass-circuits



Voor toegang tot de contactblokken, zie paragraaf 1.2 "Achterpanelen":

- 1 - Verwijder de beschermkap van de contactblokken (bevestigd met 5 schroeven),
- 2 - Voer de kabel van het normale AC-circuit door de pakkingbus,
- 3 - Sluit de 5 draden aan op het contactblok van het normale AC-circuit,

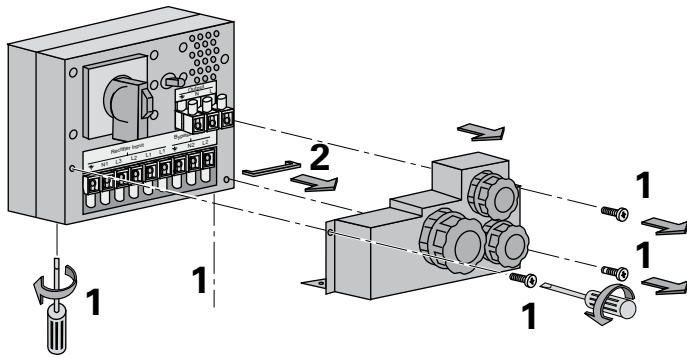


De aarddraad altijd als eerste aansluiten.

- 4 - Voer de uitgangskabel die de aangesloten apparatuur van energie voorziet door de pakkingbus,
- 5 - Sluit de 3 draden aan op het uitgangcontactblok,
- 6 - Breng de beschermkap van de contactblokken weer aan en draai de pakkingbussen vast,
- 7 - Zet de input/output-box met de 3 schroeven aan de achterkant van de power module vast.

2. Installeren

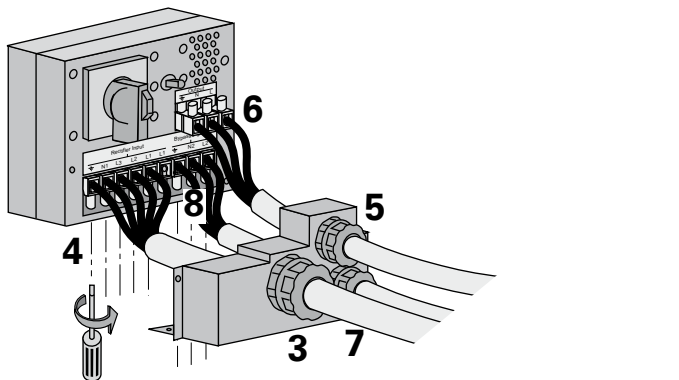
Aansluiten van een UPS met gescheiden ingangen voor normale AC- en AC-bypass-circuits



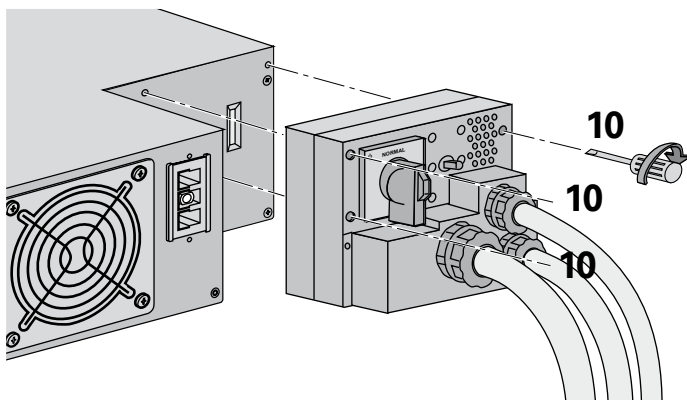
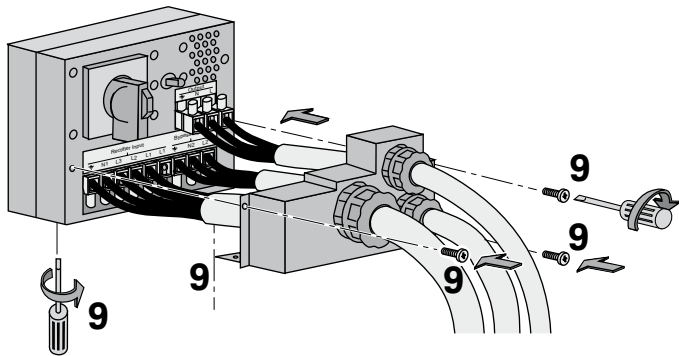
- 1 - Verwijder de beschermkap van de contactblokken (bevestigd met 5 schroeven),
- 2 - Verwijder de brugschakeling tussen de contactblokken L2 en L1,
- 3 - Voer de kabel van het normale AC-circuit door de pakkingbus,
- 4 - Sluit de 5 draden aan op het contactblok van het normale AC-circuit,



De aarddraad altijd als eerste aansluiten.

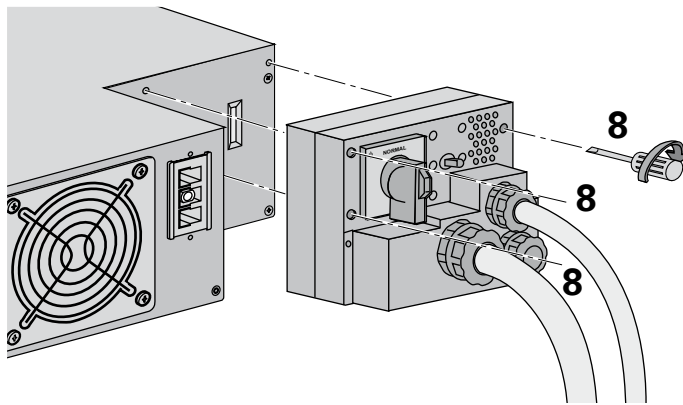
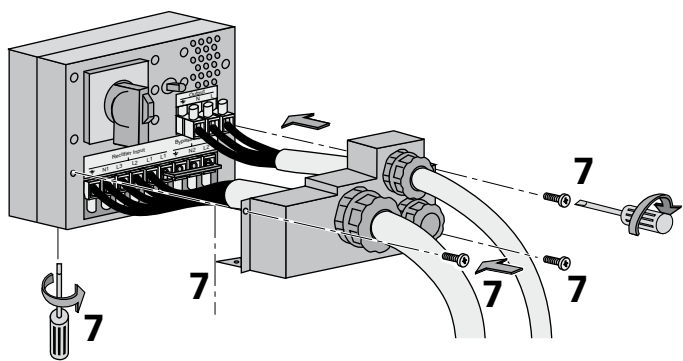
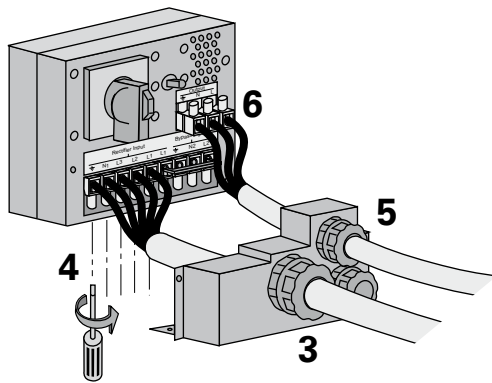
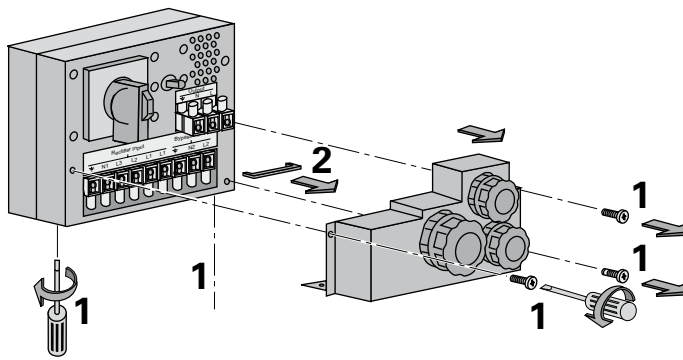


- 5 - Voer de uitgangskabel die de aangesloten apparatuur van energie voorziet door de pakkingbus,
- 6 - Sluit de 3 draden aan op het uitgangskontaktblok,
- 7 - Voer de kabel van het AC-bypass-circuit door de pakkingbus,
- 8 - Sluit de 3 draden aan op het contactblok van het AC-bypass-circuit,
- 9 - Breng de beschermkap van de contactblokken weer aan en draai de pakkingbussen vast,
- 10 - Zet de input/output-box met de 3 schroeven aan de achterkant van de power module vast.



2. Installeren

Aansluiten van de frequentieomzetter



- 1 - Verwijder de beschermkap van de contactblokken (bevestigd met 5 schroeven),
- 2 - Verwijder de brugschakeling tussen L2 en L1,
- 3 - Voer de kabel van het normale AC-circuit door de pakkingbus,
- 4 - Sluit de 5 draden aan op het contactblok van het normale AC-circuit,



De aarddraad altijd als eerste aansluiten.

- 5 - Voer de uitgangskabel die de aangesloten apparatuur van energie voorziet door de pakkingbus,
- 6 - Sluit de 3 draden aan op het uitgangskontaktblok,

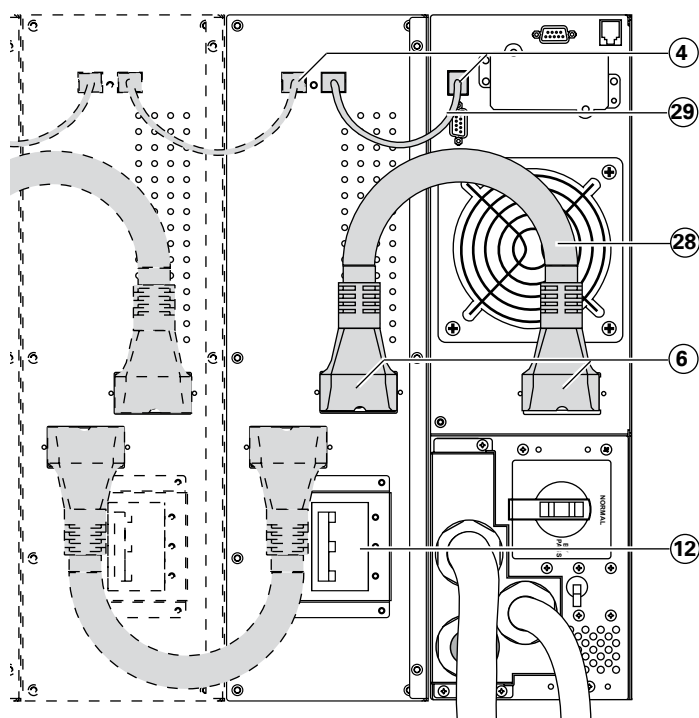


Niets aansluiten op het contactblok van het AC-bypass-circuit,

- 7 - Breng de beschermkap van de contactblokken weer aan en draai de pakkingbussen vast,
- 8 - Zet de input/output-box met de 3 schroeven aan de achterkant van de power module vast.

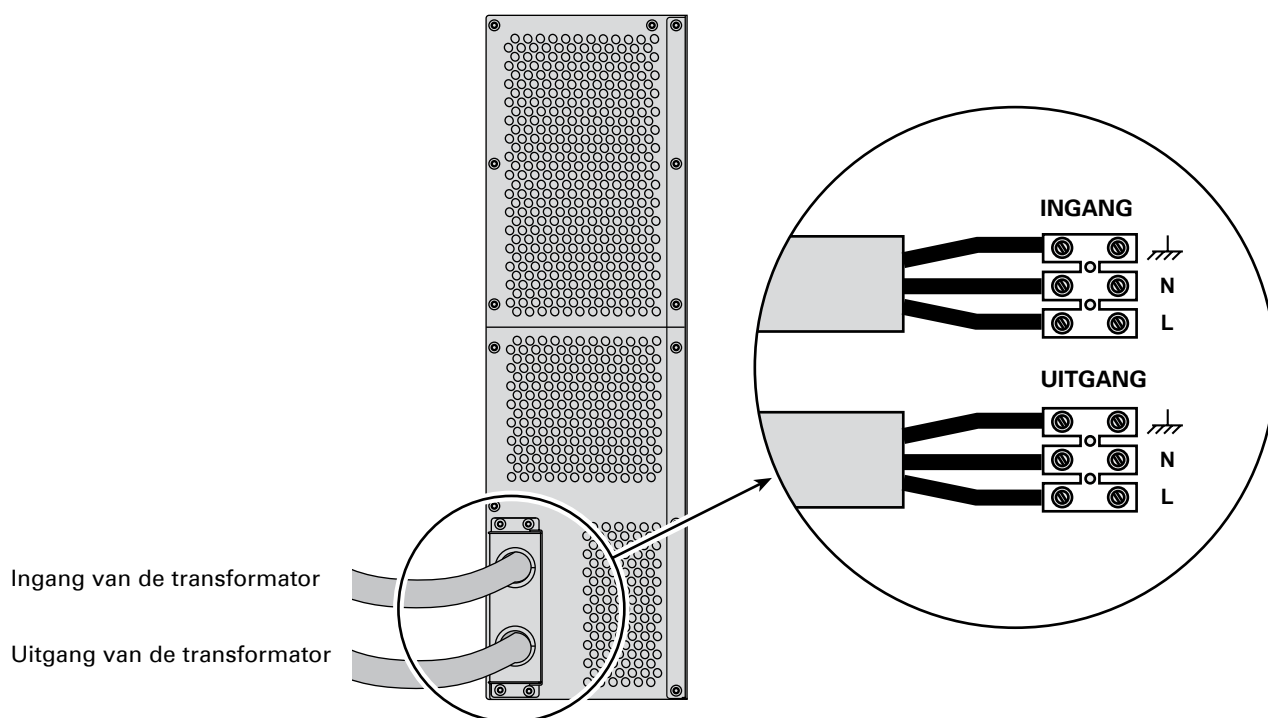
2. Installeren

Aansluiten van de batterijkabels



- 1 - Controleer of de batterijschakelaar (12) op "0"-stand staat,
- 2 - Sluit de batterijkabel (28) aan op de connector (6) van de power en batterijmodules,
- 3 - Sluit de batterijdetectiekabel (29) aan op de connectoren (4) van de power en batterijmodules,

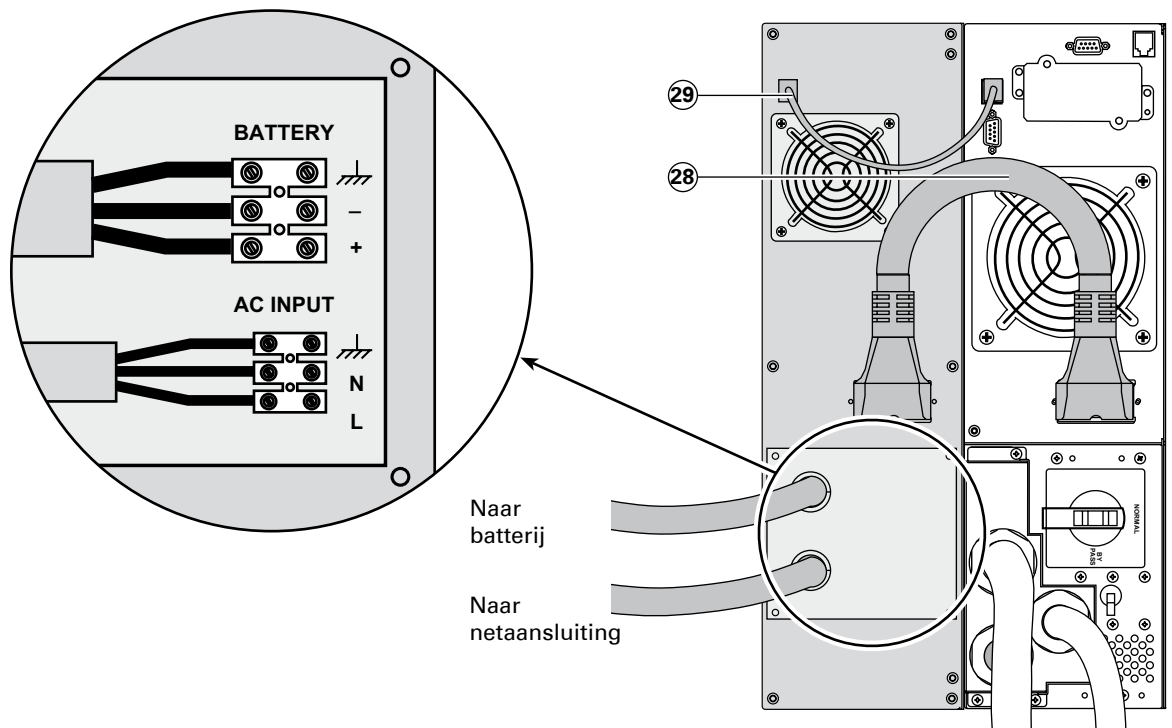
Aansluiten van de galvanische isolatietransformator



- Doorsnede van de uitgangskabel (niet bijgeleverd): 10 mm², harde of soepele kabel (maximaal 13 mm² of AWG 6).
- Doorsnede van de ingangskabel (niet bijgeleverd): 10 mm², harde of soepele kabel (maximaal 13 mm² of AWG 6).

2. Installeren

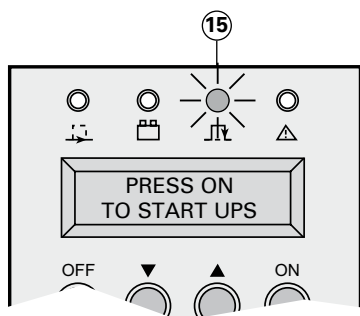
Aansluiten van de lange autonomie lader (CLA-module)



- Sluit de (bij de **CLA** geleverde) batterijkabel **28** aan tussen de power module en de **CLA**-module.
- Sluit de (bij de **CLA** geleverde) kabel **29** aan tussen de power module en de **CLA**-module.
- Aansluiten van de batterij:
 - Doorsnede van de kabel (niet bijgeleverd): 10 mm², harde of soepele kabel (maximaal 13 mm² of AWG 6).
- Gebruik een schakelaar (B-karakteristiek, 50 A) om de kabel te beveiligen.
- Sluit de voedingskabel van de **CLA**-module op het net aan:
 - Doorsnede van de ingangskabel (niet bijgeleverd): 2,5 mm².
- Gebruik een schakelaar (C-karakteristiek, 10 A) om de kabel te beveiligen.

3. Gebruik

3.1 Eerste ingebruikname



Controleer of de handmatige bypass-schakelaar (7) op "normaal"-stand staat.
Zet de schakelaar van het normale AC-circuit (9) op "I"-stand.
Zet de batterijschakelaar (12) op "I"-stand.

De aangesloten apparatuur wordt van energie voorzien door het AC-bypass-circuit, maar is niet beveiligd door de UPS. De batterij is aan het opladen. De batterij moet 8 uur opladen om de nominale autonomie te kunnen leveren. LED (15) brandt.

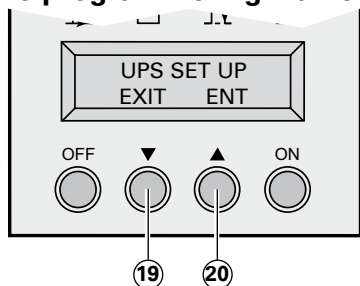
Specifieke programmering van de UPS



Wanneer specifieke programmering van de UPS gewenst is, wordt aanbevolen deze programmering in dit stadium uit te voeren.

De specifieke programmeermode is toegankelijk via de toetsen van het instrumentenpaneel of via de **Personal Solution Pac** software voor Windows op de **Solution-Pac** cd-rom van EATON.

Specifieke programmering via het instrumentenpaneel



- Druk langer dan 3 seconden tegelijkertijd op de functietoetsen (19) en (20).
- Druk op de functietoets (20) onder het woord IN om toegang te krijgen tot de specifieke programmeermode en volg de instructies op het display door met de betreffende functietoetsen de gewenste opties te kiezen.

Plaats specifieke programmering

Functie	Fabrieksprogrammering	Opties
Taal	Engels	Frans, Spaans, Duits, Italiaans
Formaat datum/tijd	Internationaal formaat (DD-MM-JJJJ/UU:MM)	VS-formaat (MM-DD-JJJJ/UU:MM AM/PM)
Wijziging datum/tijd	Franse tijd	MM-DD-JJJJ/UU:MM instelbaar
Geluidsalarm	Snelle bieps	Langzame bieps

Specifieke programmering van de uitgang

Functie	Fabrieksprogrammering	Opties	Commentaar
Uitgangsspanning	230 Volts AC	200/208/220/240/250	
Frequentieomzetter	Niet actief	Actief	AC-bypass-circuit niet actief.
Uitgangsfrequentie	Automatische selectie	50/60 Hz	Door gebruiker te selecteren in frequentieomzetter-mode.
Eco-mode	Niet actief	Actief	Zie woordenlijst.
Noodredundantie	Niet actief	Actief	N+1 redundantie (Zie § 2.5 "Noodredundantie").
Bedrijfsmode	Industrie	I/T-netwerk	(*)
Overschakelen op bypass-circuit	Als het AC-bypass-circuit buiten tolerantie is	Als het AC-bypass-circuit buiten tolerantie is	(*)
Duur van stroomonderbreking	10 ms	10 tot 200 ms (in stappen van 10 ms).	Kalibreren van stroomonderbreking-duur tijdens het overschakelen op AC-bypass-circuit buiten tolerantie.
Overbelastingniveau	102 %	50/70 %	

(*) : - selecteer "I/T-netwerk" en "AC-bypass binnen tolerantie" voor IT-toepassingen.

- selecteer "industrie" en "AC-bypass buiten tolerantie" wanneer extreme bedrijfscontinuïteit noodzakelijk is (onderbrekingen van 10 ms aanvaard).

Specifieke programmering ON/OFF

Functie	Fabrieksprogrammering	Opties	Commentaar
Starten op batterij	Niet actief	Actief	Starten op batterij.
Geforceerd uitschakelen	Actief	Niet actief	Zorgt ervoor dat uw systeem automatisch herstart, ook bij terugkeer van de netspanning voor het einde van de uitschakelprocedure.
Automatisch herstarten	Actief	Niet actief	Automatisch herstarten van de UPS bij terugkeer van het normale AC-circuit.
Overschakelen op pauze	Niet actief	Actief	Automatisch uitschakelen van de batterijautonomie bij vermogensniveau <10%.
In/uitschakelen via software	Actief	Niet actief	Vrijgeven van de verwerking van start- en stopcommando's vanuit de software.

Specifieke programmering batterij

Functie	Fabrieksprogrammering	Opties	Commentaar
Batterijtest	Elke week	Geen test / dagelijks / maandelijks	
Vooralarm einde autonomie	20 %	0 tot 100 %	Nauwkeurigheid 1%.
Keuze van batterijautonomie	Aantal gedetecteerde batterijmodules per UPS	50 tot 400 Ah	Bij gebruik van deze optie is een EX RT CLA vereist (zie § 1.4 "Extra batterijmodules").
Beveiliging van de batterij tegen vergaande ontlading	Actief	Niet actief	Bij "niet actief", vervalt de EATON garantie.

- Druk op de QUIT-toets aan het einde van de specifieke programmering.
- Deze parameters kunnen alleen gewijzigd worden als de UPS uitgeschakeld is.

Specifieke programmering via externe software



- Doe de Solution-Pac cd-rom in de cd-rom drive van uw computer.
- Selecteer in het eerste scherm van de navigator de optie "Installeren" en volg de instructies voor het installeren van de **Personal Solution-Pac** software.
- Als er geen meldingen verschijnen: start startup.exe
- Selecteer vervolgens de opties "Advanced settings" en "UPS settings".
- Let op: de Linux/Unix/MacOS-versies van de **Personal Solution-Pac** software bieden deze mogelijkheid niet.

3.2 Startprocedure van de UPS



- Druk langer dan 3 seconden op de ON-toets.
- Na de interne testprocedure van de **UPS** gaat de groene LED **(13)** branden.

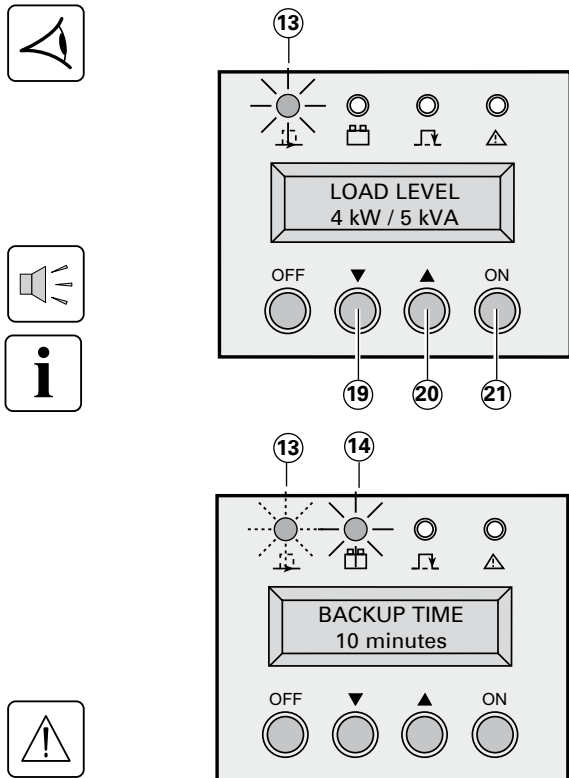


Als het AC-bypass-circuit bij het starten buiten tolerantie is, veroorzaakt de UPS een onderbreking van de energievoorziening naar de aangesloten apparatuur gekalibreerd op 10 ms.

3. Gebruik

3.3 Bedrijfsmodes

Normale mode (dubbele omzetting)



Dit is de standaard bedrijfsmode, met specifieke fabrieksprogrammering. In deze mode zijn twee werkingfuncties mogelijk.

1 - Het normale AC-circuit is beschikbaar:

LED 13 brandt.

De aangesloten apparatuur wordt beveiligd door de UPS.

In normale mode kan de op de UPS gemeten informatie worden afgelezen met behulp van de "scroll down" en "scroll up" toetsen 19 en 20 (spanning van normale AC-circuit en AC-bypass-circuit, bedrijfsmode, batterijcapaciteit en serienummer van de UPS).

2 - Het normale AC-circuit is niet beschikbaar:

LED 13 knippert.

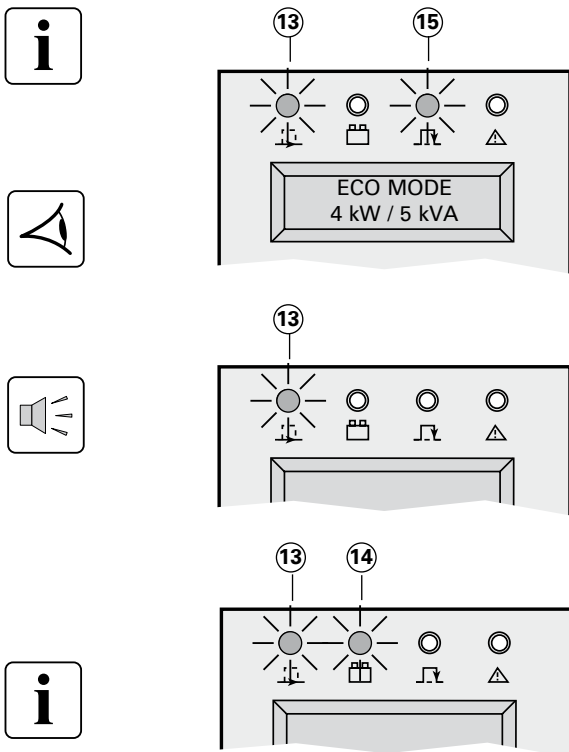
LED 14 brandt.

Het geluidsalarm gaat intermitterend over.

De aangesloten apparatuur wordt via de batterij van energie voorzien door de UPS.

De handmatige bypass-schakelaar 7 nooit omzetten als de UPS in normale mode werkt.

ECO-mode



Het belangrijkste voordeel van deze mode is de beperking van het energieverbruik.

Bij werking in Eco-mode (zie woordenlijst) is de filterfunctie van de UPS niet actief.

Er zijn drie werkingfuncties:

1 - Het AC-bypass-circuit is beschikbaar:

De LED's 13 en 15 branden.

De aangesloten apparatuur wordt in Eco-mode van energie voorzien.

2 - Het AC-bypass-circuit is niet beschikbaar:

LED 13 brandt.

Het geluidsalarm gaat intermitterend over.

De aangesloten apparatuur wordt automatisch in normale mode van energie voorzien door de normale AC-bron.

3 - De normale AC en AC-bypass-circuits zijn tegelijkertijd niet beschikbaar of buiten tolerantie:

LED 13 brandt.

LED 14 brandt.

Het geluidsalarm gaat intermitterend over.

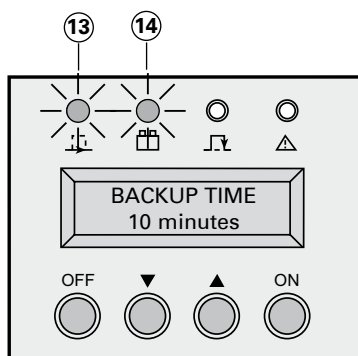
De aangesloten apparatuur wordt via de batterij van energie voorzien door de UPS.

Het display signaleert de resterende batterijautonomie.

3.4 Werking op batterij

De aangesloten apparatuur blijft energie krijgen van de UPS als het normale AC-circuit niet meer beschikbaar is.
De geleverde energie komt van de batterij.

Overschakelen op batterij



LED 13 brandt.

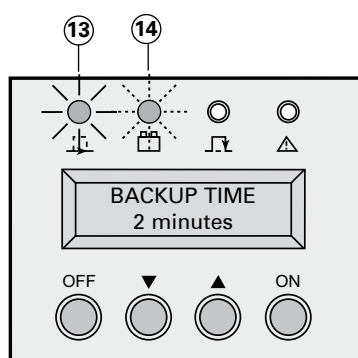
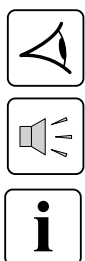
LED 14 brandt.

Het geluidsalarm laat om de 10 seconden een biep horen.

De aangesloten apparatuur wordt via de batterij van energie voorzien.

Het display signaleert de resterende batterijautonomie.

Vooralarmgrens einde autonomie batterij



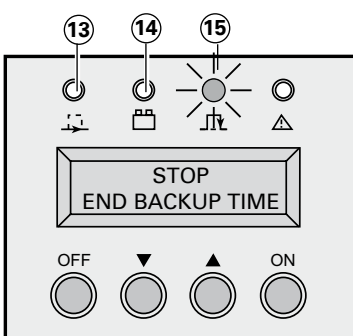
LED 13 brandt.

LED 14 knippert.

Het geluidsalarm laat om de 3 seconden een biep horen.

De resterende batterijautonomie is gering. Sluit alle aangesloten toepassingen want de UPS gaat bijna automatisch uitschakelen.

Einde autonomie batterij



De LED's 13 en 14 zijn uit.

Het geluidsalarm gaat niet over.

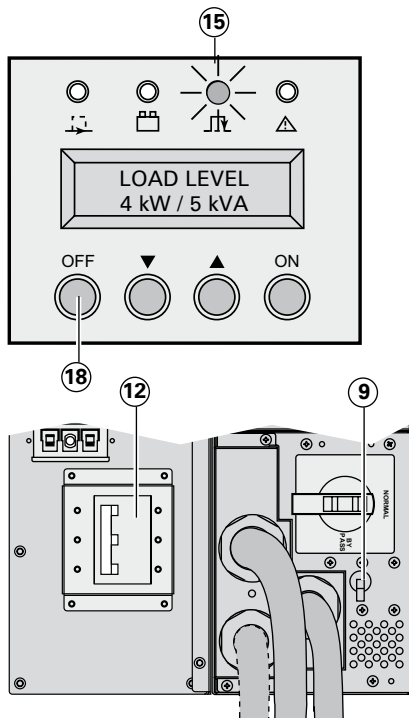
De aangesloten apparatuur wordt overgeschakeld op het AC-bypass-circuit indien aanwezig. In dat geval brandt LED 15.

3.5 Terugkeer van normale AC-circuit

Na een onderbreking schakelt de UPS automatisch weer in bij terugkeer van het normale AC-circuit (tenzij deze functie via specifieke programmering van de UPS uitgeschakeld is).

3. Gebruik

3.6 Uitschakelen van de UPS



1 - Druk langer dan 3 seconden op de toets **18**.



De aangesloten apparatuur wordt niet meer beveiligd door de UPS. De apparatuur wordt van energie voorzien door het AC-bypass-circuit.

Als de UPS in frequentieomzetter-mode werkt, wordt de aangesloten apparatuur niet meer van energie voorzien.

Als het AC-bypass-circuit buiten tolerantie is, veroorzaakt de UPS een onderbreking gekalibreerd op 10 ms.

2 - Zet de batterijschakelaar(s) **12** op "0"-stand.

3 - Zet de schakelaar van het normale AC-circuit **9** op "0"-stand.

4 - Om de UPS en de aangesloten apparatuur compleet te isoleren moet de (niet bijgeleverde) stroomopwaartse schakelaar op "0" of "OFF" staan.

4.1 Storingen



Als LED 15 of 16 brandt, signaleert dit een storing in de werking of een alarm. Gebruik de "scroll up" en "scroll down" toetsen om het geluidsalarm af te zetten.

Storingen die geen interventie van de EATON servicedienst vereisen:

Indicatie	Betekenis	Correctie
LED 15 brandt, het alfanumerieke display meldt: BAD CONNECTION REWIRE AC NORMAL	Aansluitfout normale AC-circuit.	Aansluiting van het normale AC-circuit in orde maken.
LED 15 brandt, het alfanumerieke display meldt: LOAD LEVEL Xx kW / XX KVA	De aangesloten apparatuur wordt van energie voorzien door het AC-bypass-circuit.	Druk langer dan 3 seconden op de ON-toets.
LED 15 brandt*, het alfanumerieke display meldt: THERMAL OVERLOAD 1XX%	Overbelasting op de uitgang van de UPS.	Controleer het door de aangesloten apparatuur afgenomen vermogen en koppel alle secundaire apparatuur los.
LED 16 brandt, het alfanumerieke display meldt: CURRENT OVERLOAD	Kortsluiting op de aangesloten apparatuur.	Zoek de apparatuur met kortsluiting of fout op.
Het geluidsalarm gaat over, het alfanumerieke display meldt: I/O BOX REMOVED	De input/output-box is niet goed bevestigd.	Controleer de bevestiging van de input/output-box (achterpaneel).

(*): als het AC-bypass-circuit beschikbaar is.

Storingen die interventie van de EATON servicedienst vereisen:

Indicatie	Betekenis	Correctie
LED 15 * en 16 branden en het geluidsalarm gaat over. Het alfanumerieke display meldt: xxx FAULT www.eaton.com	Interne fout en overschakelen van aangesloten apparatuur op AC-bypass-circuit.	Volg de UPS vervangingsprocedure (zie § 4.3). Schakel de servicedienst in.
LED 15 brandt* en het geluidsalarm gaat over. Het alfanumerieke display meldt: BATTERY FAULT	Batterijfout geconstateerd tijdens batterijtest.	Volg de UPS vervangingsprocedure (zie § 4.3). Schakel de servicedienst in.
LED 15 brandt, het alfanumerieke display meldt: SHUTDOWN STATIC SW FAILED	Fout statische bypass schakelaar.	Volg de UPS vervangingsprocedure (zie § 4.3). Schakel de servicedienst in.
Het geluidsalarm gaat over en het alfanumerieke display meldt: BATTERY CHECK www.eaton.com	De batterij heeft zijn contractuele levensduur overschreden. De autonomie van de batterij wordt sterk verminderd.	Schakel de lokale servicedienst in.: www.eaton.com

(*): als het AC-bypass-circuit beschikbaar

(**) : om het alarm definitief af te zetten, druk langer dan 3 seconden op de functietoetsen 19 en 20 en ga naar het menu "LCM-instellingen".

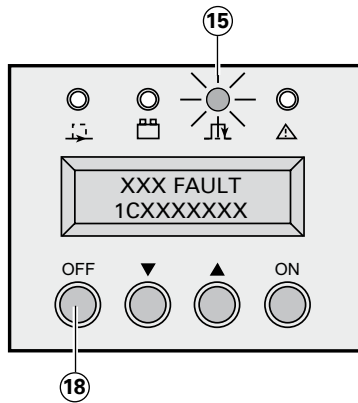
4. Onderhoud

4.2 Vervangen van de power module



Dit kan worden uitgevoerd zonder de energievoorziening naar de aangesloten apparatuur te onderbreken.

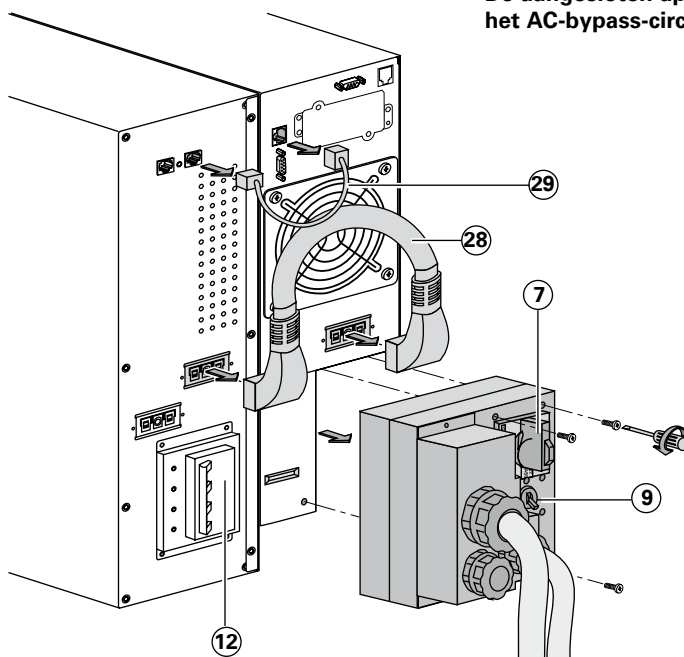
Loskoppelen van de power module



- Schakel de UPS uit door de toets 18 langer dan 3 seconden in te drukken.
- Controleer of de UPS in bypass-mode werkt : LED 15 moet branden (als de LED niet brandt mag de handmatige bypass-schakelaar niet omgezet worden. Schakel in dat geval de servicedienst in).
- Zet de handmatige bypass-schakelaar 7 op "BYPASS"-stand.
- Zet de batterijschakelaar(s) 12 op "0"-stand.
- Zet de schakelaar van het normale AC-circuit 9 op "0"-stand en wacht 30 seconden.
- Draai de 3 bevestigingsschroeven van de input/output-box aan de achterkant van de UPS los.
- Koppel de batterijkabels 28 en 29 van de power module los.

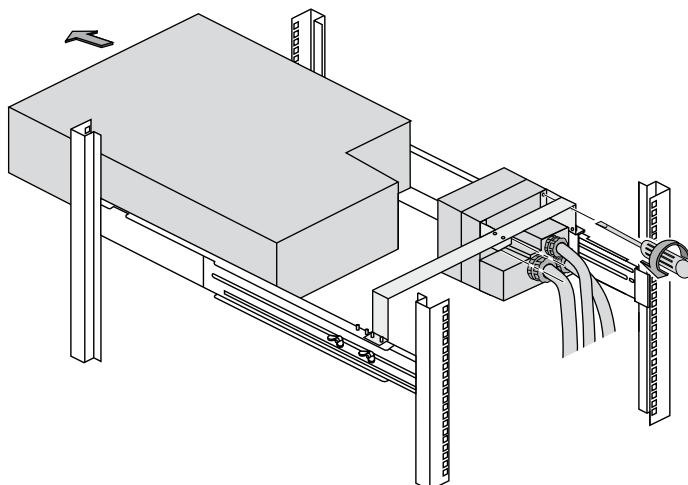


Tower-opstellingen

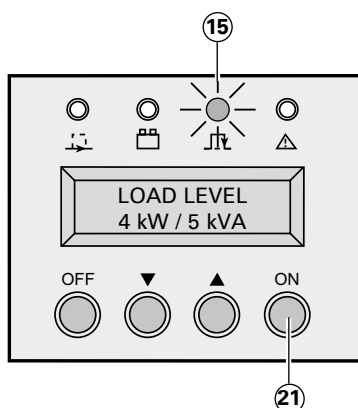


De power module kan nu vervangen worden.
De aangesloten apparatuur wordt van energie voorzien door het AC-bypass-circuit.

Rack-opstelling



Opnieuw aansluiten van de power module

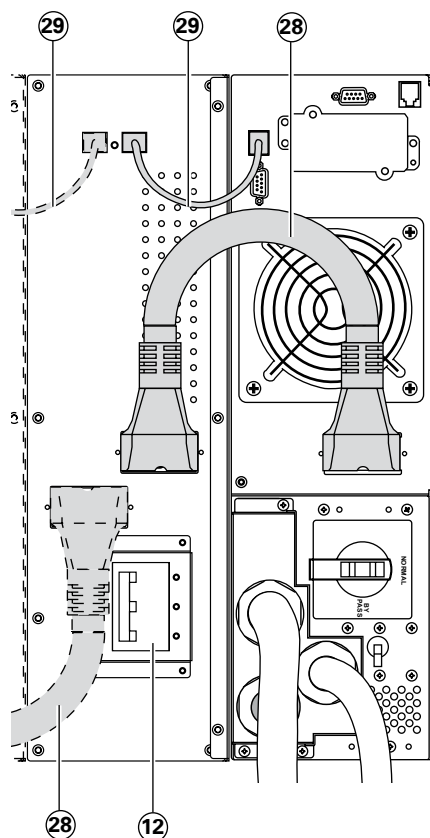


- Bevestig de input/output-box aan de achterkant van de UPS met behulp van de 3 daarvoor bestemde schroeven.
- Sluit de batterijkabels 28 en 29 weer op de power module aan.
- Zet de batterijschakelaar(s) 12 op "I"-stand.
- Zet de schakelaar van het normale AC-circuit 9 op "I"-stand.
- Zet de handmatige bypass-schakelaar van "BYPASS"-stand naar "NORMAAL"-stand.
- Controleer of LED 15 brandt.
- Volg de procedure voor eerste ingebruikname (zie § 3.1) om de UPS specifiek te programmeren.
- Druk langer dan 3 seconden op de ON-toets 21.

LED 13 brandt en de aangesloten apparatuur wordt nu beveiligd door de UPS.

4.3 Vervangen van de batterijmodule

Loskoppelen van de batterijmodule



- Zet de batterijschakelaar(s) 12 op "0"-stand.
- Koppel de batterijkabels 28 en 29 van de power module los.

De batterijmodule kan nu vervangen worden. De aangesloten apparatuur blijft energie krijgen van de UPS.

Het is ook mogelijk om de elementen te vervangen in plaats van de batterijmodule. Neem contact op met de plaatselijke servicedienst.

Vervangen van de batterijelementen:

- Zet eerst de batterijschakelaar(s) 12 op "0"-stand.
- Zie § 2.3 en volg de instructies voor demontage van de batterijelementen.

Opnieuw aansluiten van de batterijmodule



- Sluit de batterijkabels 28 en 29 weer op de power module aan.
- Zet de batterijschakelaar(s) 12 op "I"-stand.

Opnieuw aansluiten van de batterijelementen :

- Zie § 2.3 en volg de instructies in omgekeerde volgorde.
- Als het voorpaneel van de batterijmodule gesloten is de batterijkabels 28 en 29 aansluiten op de power module.
 - Zet de batterijschakelaar(s) 12 op "I"-stand.

4. Onderhoud

4.4 Opleidingscentra



Voor een optimaal gebruik van uw EATON apparaat en om zelf een aantal problemen te kunnen oplossen, hebben wij een compleet programma technische opleidingen in het Engels en Frans ontwikkeld.

For further information, please visit our website: www.eaton.com

5.1 Technische specificaties

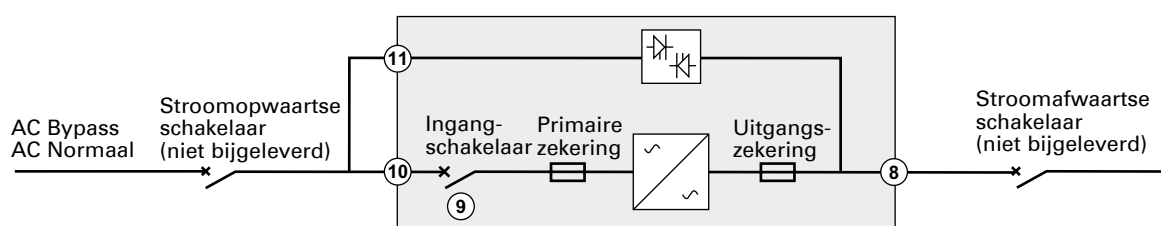
Elektrische specificaties

Bedrijfsmoden I/T-netwerk en industrie

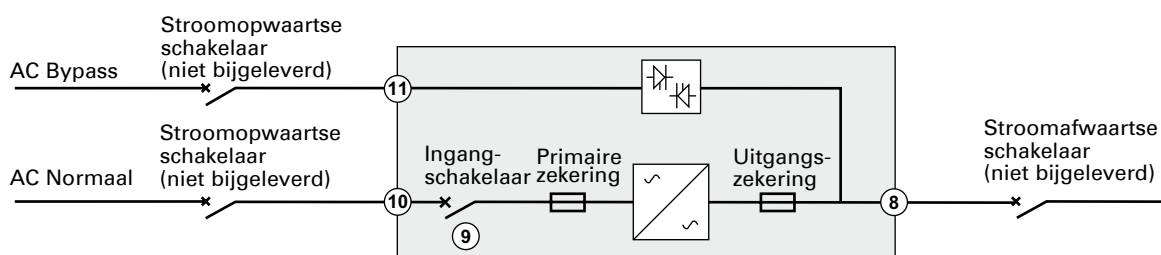
	Industrie mode	I/T-netwerk mod
Overbelasting met AC-bypass-circuit binnen tolerantie.	Dezelfde werking als bij I/T.	De aangesloten apparatuur wordt omgeschakeld naar het AC-bypass-circuit. Terug naar normale mode bij verdwijnen van de overbelasting.
Overbelasting met AC-bypass-circuit buiten tolerantie.	De aangesloten apparatuur wordt omgeschakeld naar AC.	De UPS schakelt uit en er wordt niet omgeschakeld naar AC-bypass-circuit.
Kortsluiting op uitgang met AC-bypass-circuit binnen tolerantie.	De aangesloten apparatuur wordt onmiddellijk omgeschakeld naar AC.	De aangesloten apparatuur blijft energie krijgen van de UPS. De UPS schakelt na 3 minuten definitief uit als de kortsluiting voortduurt.
Kortsluiting op uitgang met AC-bypass-circuit buiten tolerantie.	De aangesloten apparatuur wordt omgeschakeld naar AC.	De aangesloten apparatuur blijft energie krijgen van de UPS. De UPS schakelt na 3 minuten definitief uit als de kortsluiting voortduurt.

Keuze van beveiligingsorganen

UPS met gemeenschappelijke ingangen voor normale AC- en AC-bypass-circuits



UPS met gescheiden ingangen voor normale AC- en AC-bypass-circuits



Voor de dimensionering van de stroomopwaartse schakelaars moet rekening worden gehouden met de onderstaande parameters:

Waarden van de netstromen

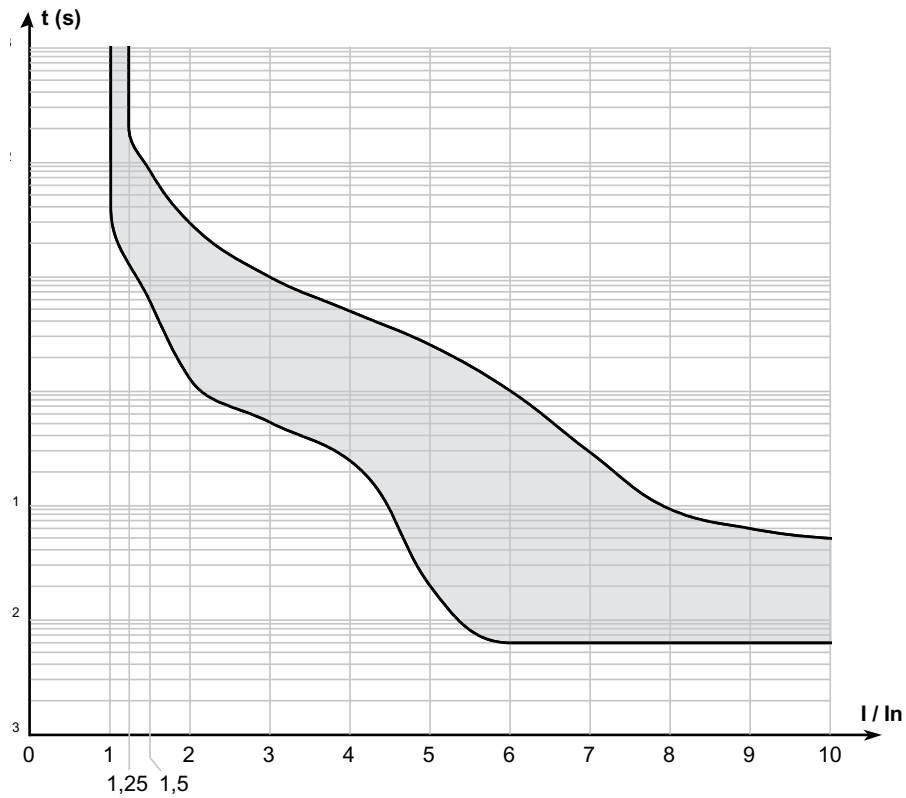
Nominaal vermogen van de UPS	Gelijkstroom bij 400/320 Volt en nominale belasting	Gelijkstroom bij 320 Volt en overbelasting =110% beperkt tot 2 minuten	Kaliber van primaire zekeringen	Kaliber van
5 kVA	9/10 A	11 A	25 A	80 A
7 kVA	10/11 A	12 A	25 A	80 A
11 kVA	15/19 A	21 A	30 A	100 A

De selectiviteit van de beveiligingen stroomopwaarts en stroomafwaarts vermeld in paragraaf 2.6 is gegarandeerd bij een kabellengte van maximaal 30 m en een kabeldiameter van 10 mm².

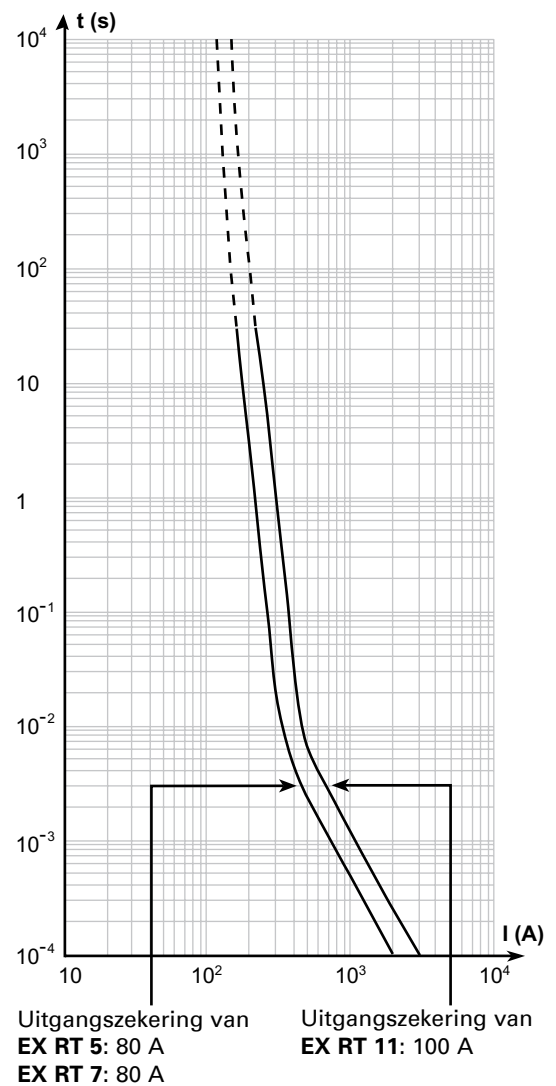
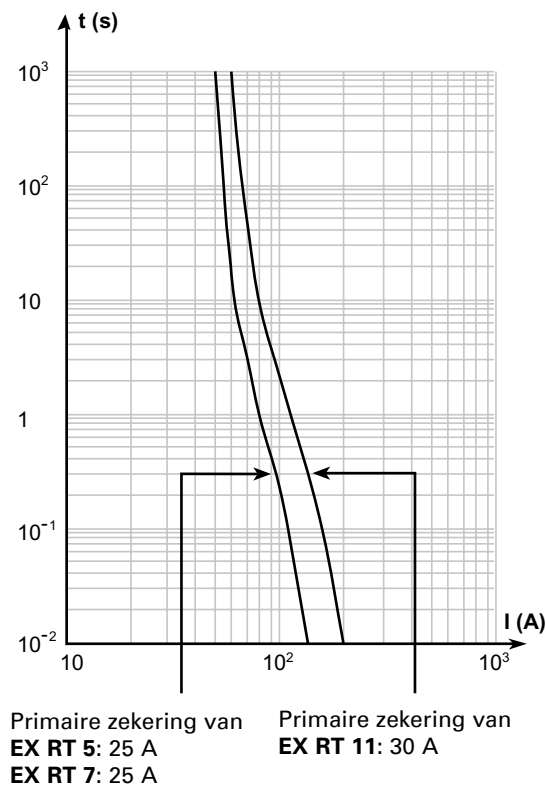
Het uitschakelvermogen van de schakelaar moet worden gekozen afhankelijk van de installatie, de lengte en de diameter van de kabels.

5. Bijlagen

Tijd/stroom-curven voor de ingangsschakelaar van de UPS



Tijd/stroom-curven voor de primaire en uitgangszekeringen van de UPS



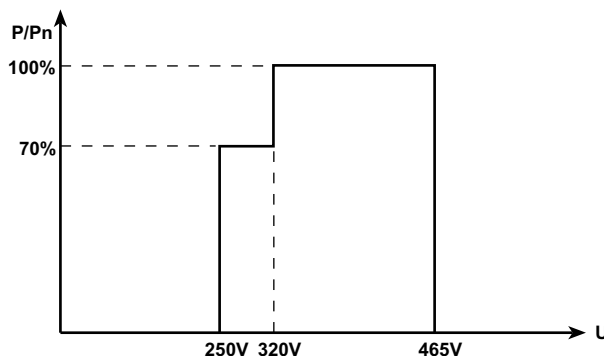
Input/output-specificaties van de UPS

Bron	Spanning	Frequentie
Normaal AC-circuit	320 tot 465 Volt AC	40 tot 70 Hz
AC-bypass-circuit	187 tot 264 Volt AC*	48 tot 52 Hz**
Uitgang naar beveiligde apparatuur	230 Volt AC (andere mogelijke waarden: 200/208/220/240/250 V).	Automatische selectie van 50/60 Hz (of frequentieomzetter

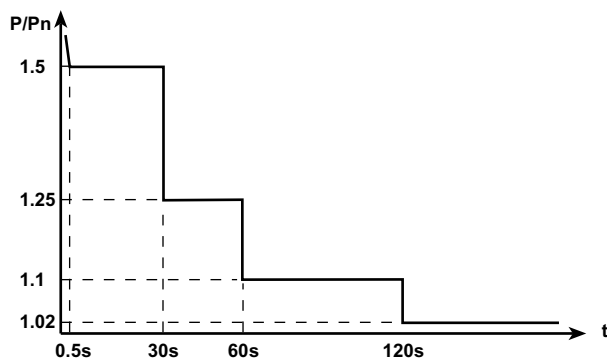
(*): afhankelijk van specifiek geprogrammeerde uitgangsspanning, wijzigbaar via software.

(**): standaard geprogrammeerd op +/-4% (andere mogelijke waarden: 1, 2, 4, 8), wijzigbaar via software.

Door de UPS geleverd vermogen afhankelijk van ingangsspanning



Toelaatbare overbelasting op de UPS afhankelijk van tijdsperiode



Corrente di cortocircuito fornita dall'UPS in modalità Normale o Batteria

- EX RT 5: 110 A gedurende 80 ms.
- EX RT 7: 110 A gedurende 80 ms.
- EX RT 11: 150 A gedurende 80 ms.

Transformator module EX RT

Nominaal vermogen	11 kVA
Nominale stroom	63 A
Ingangsspanning	160-280 Volt AC
Spanningsval	7 Volt bij nominale belasting
Frequentie	50/60 Hz (+/-10 %)
Isolatie (EN 61558-1-2-4)	3,75 kV / 5 M ohms
Bedrijfstemperatuur	De 0 tot +40°C
Max. vochtigheidsgraad	95 %
Deklassering hooggelegen locatie	Pn -10 % > 1000 m
Afmetingen H x B x D (tower)	444 x 131 x 635 mm
Afmetingen H x B x D (rack 3U)	131 x 444 x 635 mm
Gewicht	86,5 kg

5. Bijlagen

EX RT CLA module

- Voedingsspanning: 160-280 V AC,
- Voedingfrequentie: 40-70 V Hz,
- Laadstroom: 6 A DC,
- Laadtijd noodzakelijk voor laden tot 90% van de nominale autonomie na ontlading bij nominaal vermogen van de UPS:

	Programmering 2 uur autonomie	Programmering 4 uur autonomie	Programmering 8 uur autonomie
EX RT 5	5 uur	12 uur	20 uur
EX RT 7	5 uur	12 uur	20 uur
EX RT 11	7 uur	15 uur	24 uur

Thermische specificaties

- Bedrijfstemperatuur van de UPS van 0 tot 40°C (8 uur bij 45°C), met een optimale werking tussen +20 en +25°C.
- De autonometijd van de batterij wordt sterk beïnvloed door hoge of lage temperaturen en is met name onder 10°C aanzienlijk beperkt. Boven 25°C wordt de levensduur van de batterij gehalveerd telkens als de temperatuur met 10°C stijgt. Boven 40°C garanderen de batterijfabrikanten de werking niet meer vanwege het risico van oververhitting.
- De luchtinlaat bevindt zich aan de voorzijde en de luchtuitlaat aan de achterzijde.

5.2 Woordenlijst

AC-BYPASS-circuit	Bypass-energievoorzieningscircuit dat het mogelijk maakt de aangesloten apparatuur van energie te voorzien bij overbelasting op de uitgangen van de UPS, bij service of bij storingen.
Autonomie	Tijd waarin de aangesloten apparatuur energie krijgt van de batterij.
Beveiligde apparatuur	Apparaten of systemen die op de uitgang van de UPS zijn aangesloten.
ECO-mod	Bedrijfsmode die het mogelijk maakt de aangesloten apparatuur rechtstreeks door de netaansluiting van energie te voorzien als de netspanning binnen de door de gebruiker bepaalde tolerantiewaarden valt. De ECO-mode maakt het mogelijk op energie te besparen.
Handmatige bypass	Draaischakelaar, bediend door de gebruiker, die het mogelijk maakt de aangesloten apparatuur rechtstreeks door de netaansluiting van energie te voorzien. Door omschakelen naar handmatige bypass kan onderhoud worden uitgevoerd zonder de energievoorziening naar de aangesloten apparatuur te onderbreken.
NORMAAL AC-circuit	Normale energievoorzieningscircuit van de UPS.
Normale mode of dubbele omzetting	Normale bedrijfsmode van de UPS: de netaansluiting voorziet de UPS van energie die op zijn beurt de aangesloten apparatuur van energie voorziet (na een dubbele elektronische omzetting).
Relaiscontacten	Informatie die wordt afgeleverd in de vorm van contacten die bestemd zijn voor de gebruiker.
UPS	Uninterruptible Power Supply (Ononderbroken Energievoorziening).



Powering Business Worldwide